

Group 3 Body Equipment

GENERAL: This group contains information on items and associated hardware added to the basic shell.

SPECIFICS: As applicable

...Driver's Door and Hardware (including window)

...Driver's Seat and Hardware

...Driver's Step

...Inside Rear View Mirror and Brackets

. . . Luggage Racks

...Nameplates and Decals (for entire coach)

...Outside Rear View Mirror and Hardware

...Passenger Door and Hardware (including window)

...Passenger Door Step

...Passenger Seat and Hardware

...Privacy (blackout) Curtains and Brackets

. . . Side and Roof Ventilators

...Seat Belts (for all seats)

...Sun Visors and Brackets



REPAIR PARTS LIST

GROUP 3 Body Equipment
 MODEL 2900 R

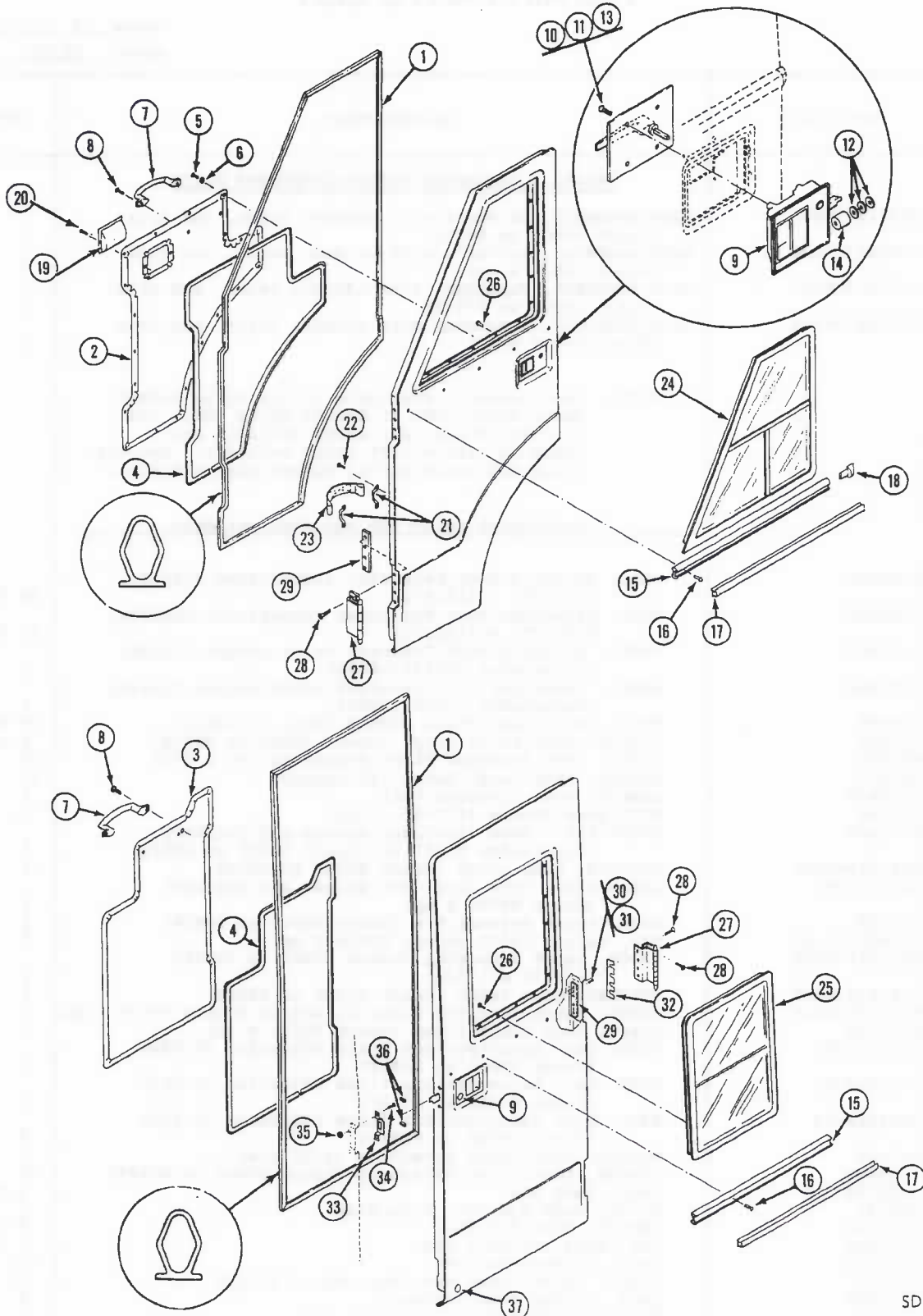


Figure 3-1. Driver and Passenger Doors

SD-480

REPAIR PARTS LIST

GROUP 3
MODEL 2900R

FIG NO.	ITEM NO.	PART NUMBER	ITEM DESCRIPTION	QTY PER UNIT
<u>DRIVER & PASSENGER DOORS--COMPONENT PARTS</u>				
3-1		5100163-R001	DOOR ASSEMBLY, Driver's with window, latch, and trim (Coach 00001 to 00529)	1
		5100163-R004	DOOR ASSEMBLY, Driver's with window, latch, and trim (Coach 00530 & up)	1
		5100163-R002	DOOR ASSEMBLY, Passenger with window, latch, and trim (Coach 00001 to 00529)	1
		5100163-R005	DOOR ASSEMBLY, Passenger with window, latch, and trim (Coach 00530 & up)	1
<p>NOTE: Door Assembly available in all white either Dover White (DW) or Arcona White (AW), and in Dover White (DW) above beltline and Sundance Yellow (SY) below beltline. Specify color and coach serial number when ordering.</p> <p style="text-align: center;"><u>Quantities below are per door assembly</u></p>				
3-1	1	5106036	SEAL, Driver's Door Perimeter (Supersedes 5100366, 5101177, & 5101679)	20 ft.
	1	5106036	SEAL, Passenger Door Perimeter (Supersedes 5100366, 5101177, & 5101679)	22 ft.
	2	5101967	PANEL, Driver's Door Interior (with carpet finish) (Supersedes 5100913-R001)	1
	3	5101966	PANEL, Passenger Door Interior (with carpet finish) (Supersedes 5100914-R001)	1
	4	M20009	TRIM, Door Panel White (Coach 00001 to 00516)	15 ft.
	4	M20009	FABRIC, Door Panel Vinyl (Coach 00001 to 00516)	9 sq. ft.
3-1	5	M14202	SCREW, Door Interior Panel Attaching (#8 X 5/8)	20
	6	M17057	WASHER, Door Panel Screw (#8 chrome)	20
	7	5100439	HANDLE, Door Interior Pull	1
	8	M17146	NUT, Door Handle (#14-20, Jack)	2
	9	5101946	LATCH ASSY, Door (includes screws and striker) (Supersedes 5101715) (Coach 00001 to 00529)	1
	9	5101946-R001	TUMBLER, Door Latch (Coach 00001 to 00529)	1
	9	5106077-02	LATCH ASSY, Door (includes screws and striker) (Coach 00530 & up)	1
3-1	10	M20078	KNOB, Latch Release Pin (Coach 00001 to 00529)	1
	10	5106077-R001	BAR, Safety Latch (Coach 00530 & up)	1
	11	5101715-R002	SCREW, Latch Attaching (Coach 00001 to 00529) (1/4-20 x 1 3/4)	2
		5101946-R002	STRIKER, Door Latch (Coach 00001 to 00529)	1
	11	5106077-R002	SCREW, Latch Interior Plate Attaching (Coach 00530 & up)	2
		5106220	PLATE, Door Latch Clamp (Coach 00530 & up)	1
3-1	12	5101524-01	SHIM, Door Latch-Striker Plate Adjusting (0.032) (Coach 00001 to 00529)	2
	12	5101524-02	SHIM, Door Latch-Striker Plate Adjusting (0.063) (Coach 00001 to 00529)	2
	12	5101524-03	SHIM, Door Latch-Striker Plate Adjusting (0.125) (Coach 00001 to 00529)	2
	13	M17005	WASHER, Door Latch Attaching (5/16 flat)	6
	14	5101500	SPACER, Door Latch Attaching (Coach 00001 to 00529)	2
	15	5100783	RAIL, Door Rub	3 ft.
	16	M25035	RIVET, Door Rub Rail Attaching	5
	17	5100788	INSERT, Door Rub Rail	3 ft.
3-1	18	5101243	CAP, Door rub rail end	1
	19	5101297	TRAY, Driver door ash	1
	20	M14013	SCREW, Driver door ash tray (No. 6 x 1/2)	2
	21	5101506	LOOP, Driver door footman	2
	22	M14069	SCREW, Footman loop (No. 10 x 3/4)	4
	23	5101507	STRAP, Driver door restraining	1
3-1	24	5100003-07	WINDOW ASSY, Driver door (see Fig. 3-2)	1
	25	5100003-06	WINDOW ASSY, Passenger door (see Fig. 3-3)	1
	26	M25090	RIVET, Window attaching	17

REPAIR PARTS LIST

GROUP 3
MODEL 2900R

FIG NO.	ITEM NO.	PART NUMBER	ITEM DESCRIPTION	QTY PER UNIT
		5106015 M25044	BUMPER, Passenger door exterior (Coach 00500 and up) RIVET, Passenger door bumper (Coach 00500 and up)	1 1
			NOTE: It is recommended that the following parts be ordered when replacing a door assembly.	
3-1	27	5100121	HINGE ASSY, Driver and passenger door	4
	28	M14355	SCREW, Hinge to retainer (1/4-20 x 1 1/4)	32
	29	5100297	RETAINER, Door hinge	8
	30	M25070	RIVET, Jam post to retainer (1/8 x 3/4)	8
	31	M25071	FASTENER, Retainer to post	8
	32	5101626-01	SHIM, Door to post hinge (0.062 x 1 x 6)	8
	32	5101626-02	SHIM, Door to post hinge (0.090 x 1 x 6)	8
	32	5101627-01	SHIM, Door to post hinge (0.062 x 1.38 x 6)	8
	32	5101627-02	SHIM, Door to post hinge (0.090 x 1.38 x 6)	8
	33	5101715-R001	STRIKER, Door Latch (On Post) (Coach 00001 to 00529)	2
	33	5106077-01	STRIKER, Door Latch (On Post) (Coach 00530 & up)	2
	3-1	34	M14231	BOLT, Striker to jam post (1/4-20 x 7/8)
35		M17061	NUT, Striker bolt (1/4-20)	4
36		M20093	PLUG, Striker access hole	4
37		5100359	GROMMET, Passenger door stop rubber (Coach 00001 to 00064)	1
		5100334	STOP, Passenger door (On Storage Door) (Coach 00001 to 00064) (See Group 2)	1
		5100163-R003	SHIM KIT, Driver and passenger door	1
			NOTE: Order above kit for adjustment and fit-up of passenger and driver doors. See Service Bulletin 2903-30001.	
		5101659-01	SHIM, Passenger door to frame (aft)	1
		5101659-02	SHIM, Passenger door to frame (fwd)	1
		5101659-03	SHIM, Passenger door to frame (top)	1
	5101659-06	SPACER, Fiberglass panel to door matching	2	
		<u>DRIVER AND PASSENGER DOOR ACCESS STEPS</u>		
	5101557	THRESHOLD, Driver door entrance	1	
	M25022	RIVET, Driver door threshold attaching	5	
	M19037	TAPE, Driver door threshold thread (6" width)	2 ft.	
	5100439	HANDLE, Passenger door entrance assist (exterior of coach)	1	
	M14268	SCREW, Assist handle attaching (No. 10-24 x 1)	2	
	M25011	INSERT, Assist handle attaching	2	
	5100367	STEP ASSY, Passenger door-Manual (Coach 00001 to 00527)	1	
	M25160	STUD, Manual step to frame (5/16-18 x 1)	4	
	M17005	WASHER, Manual step to frame (5/16 flat)	4	
	M17053	NUT, Manual step to frame (5/16-18 lock)	4	
	M18107	SCREW, Door step to frame (5/16 x 18 x 7/8)	4	
	M17042	WASHER, Door step to frame screw (5/16 split)	4	
	M25018	INSERT, Door step to frame (5/16-18)	4	
	5106270	STEP ASSY, Passenger door-electric (see Fig 3-1.1) (Coach 00528 & up)	1	
		NOTE: For interior/exterior driver-passenger door to body trim see Group 2.		

REPAIR PARTS LIST

GROUP _____
 MODEL 2900R _____

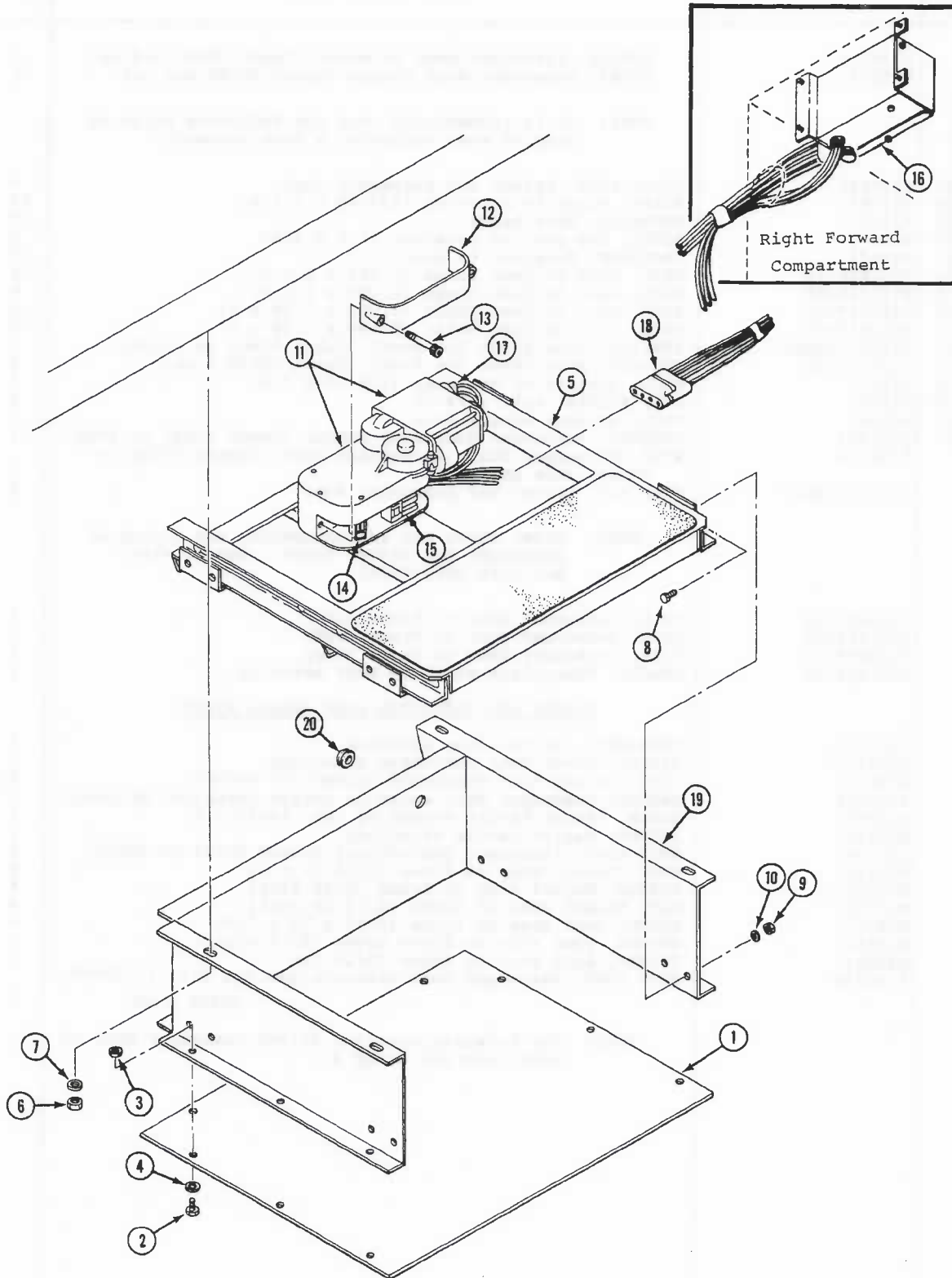


Figure 3-1.1. Passenger Door Electric Step (Coaches 00528 and Up)

SD-1043

REPAIR PARTS LIST

GROUP 3
MODEL 2900R

FIG NO.	ITEM NO.	PART NUMBER	ITEM DESCRIPTION	QTY PER UNIT
<u>PASSENGER DOOR ELECTRIC STEP ASSEMBLY</u>				
<u>COACH 00528 AND UP</u>				
3-1.1	1	5106484	COVER, Step Mechanism	1
	2	M18057	BOLT, Step Cover (1/4-20 x 5/8)	9
	3	M17061	NUT, Step Cover Lock (1/4-20)	9
	4	M17045	WASHER, Step Cover Flat (1/4)	9
3-1.1	5	5108957-01	STEP, W/Motor and Limit Switch (Supersedes 5106270-05)	1
	6	M17053	NUT, Step to Structure (5/8-18)	4
	7	M17005	WASHER, Step to Structure Flat (5/8)	4
	8	M18024	BOLT, Step to Structure (3/8-16 x 3/4)	8
	9	M17062	NUT, Step to Structure Lock (3/8-16)	8
	10	M17004	WASHER, Step to Structure Flat (3/8)	8
	11	5106270-R027	GEAR DRIVE AND MOTOR (Coach 00528 to 00983)	1
	11	5106270-R028	GEAR DRIVE AND MOTOR (Coach 00984 & up)	1
3-1.1	12	5106270-R025	COVER, Gear Drive Limit Switch	1
	13	5106270-R026	BOLT, Cover Attaching (Allen Head)	2
	14	5106270-R020	SWITCH, Step Limit	1
	15	5106270-R023	RELAY ASSY, Motor Control (Coach 00528 to 00983)	1
	16	5106270-R029	CONTROL, Motor (Coach 00984 & up)	1
	17	5106270-01	PLUG, Electrical Two Lead (Coach 00528 to 00983)	1
3-1.1	17	5106270-R030	PLUG, Electrical Two Lead (Coach 00984 & up)	1
	18	5106270-R024	PLUG, Electrical Four Lead (Coach 00528 to 00983)	1
	18	5106270-R031	PLUG, Electrical Four Lead (Coach 00984 & up)	1
	19	5106486	FRAME, Step Support	1
3-1.1	20	M20014	GROMMET, Wiring Conduct	1

REPAIR PARTS LIST

GROUP 3 Body Equipment

MODEL 2900 R

SD-514

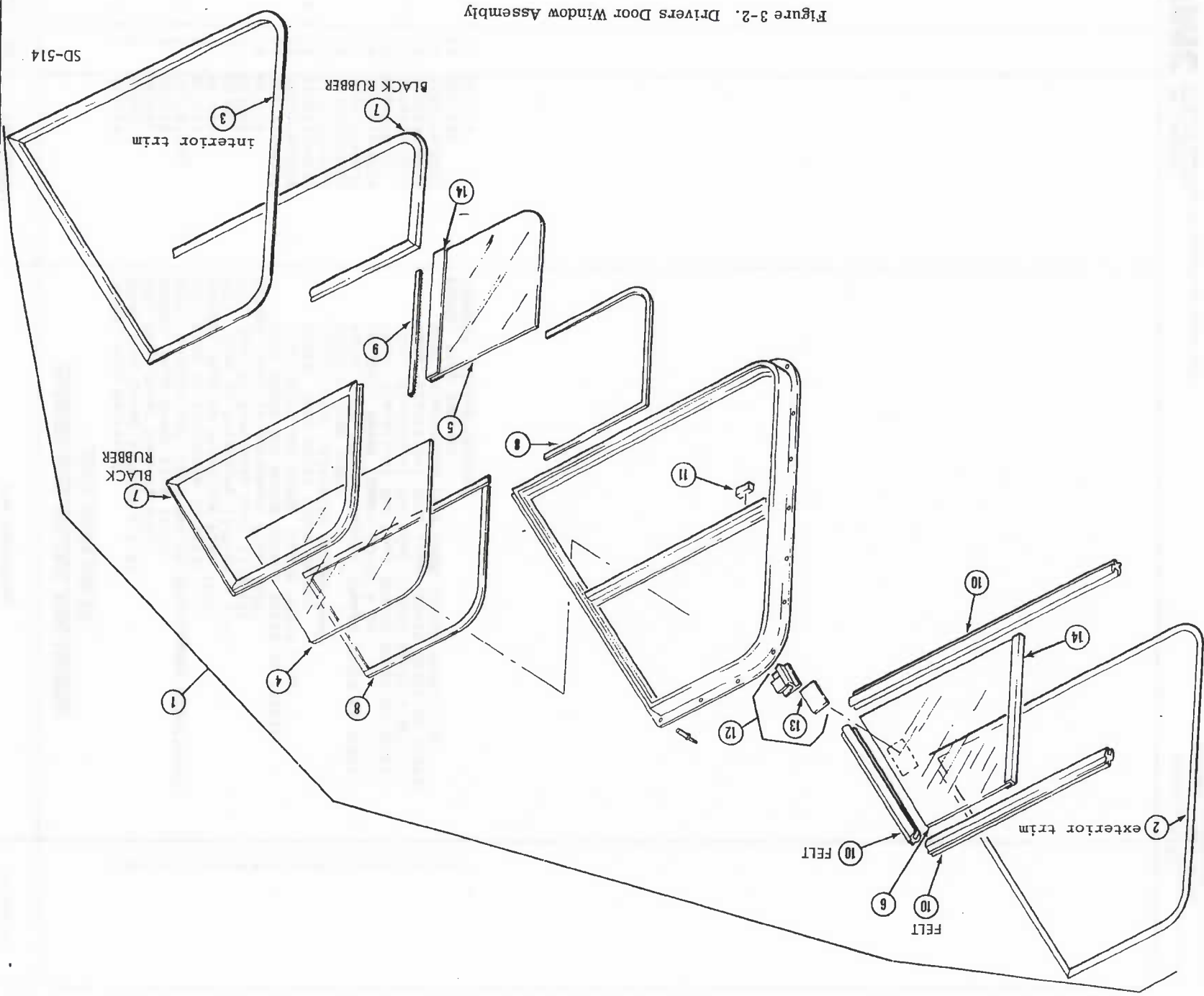


Figure 3-2. Drivers Door Window Assembly

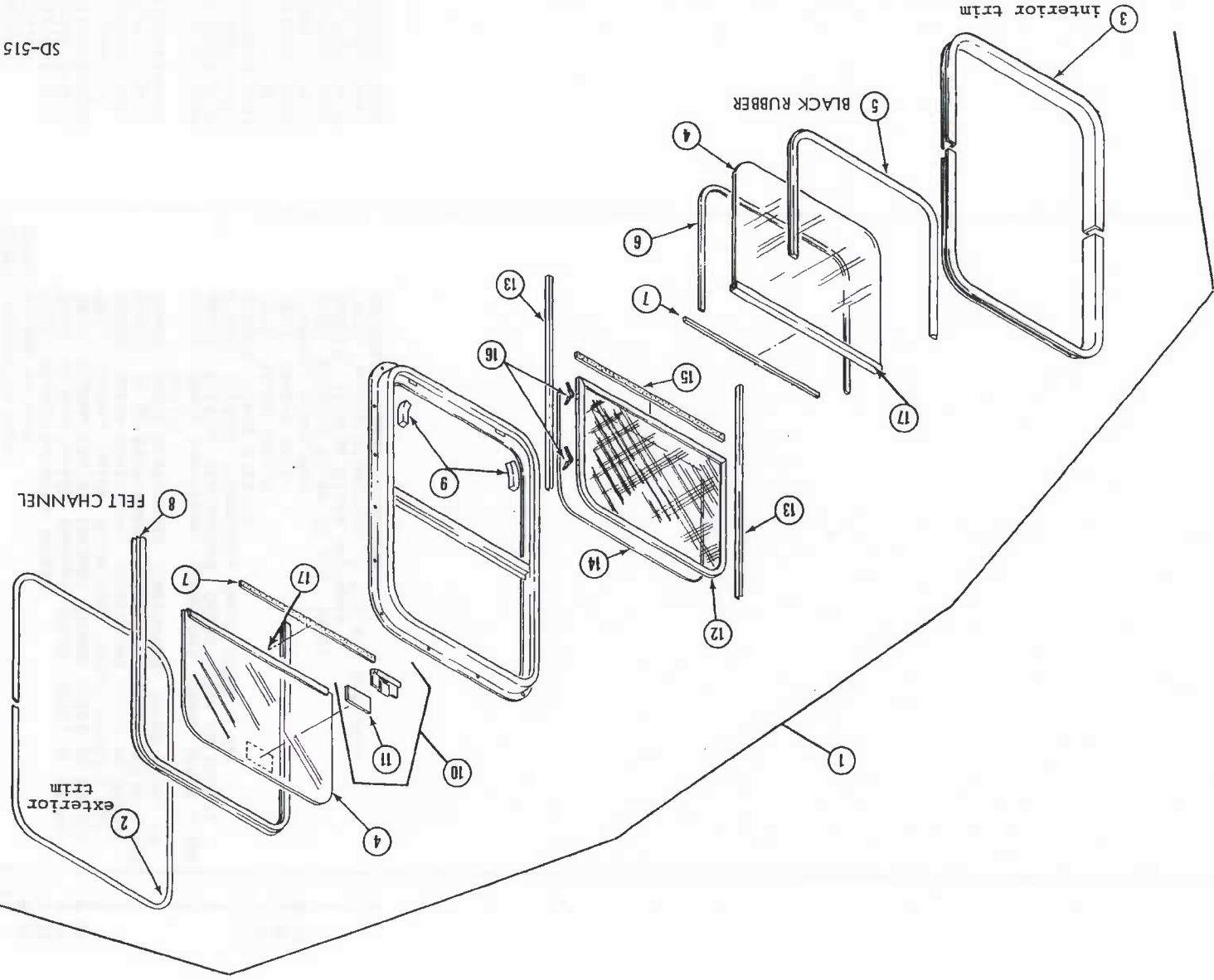
REPAIR PARTS LIST

GROUP 3
MODEL 2900R

FIG NO.	ITEM NO.	PART NUMBER	ITEM DESCRIPTION	QTY PER UNIT	
3-2	1	5100003-07	WINDOW ASSY, Driver's Door (with tempered glass)	1	
		M25090	RIVET, Window to Door	17	
		M22254	TAPE, Window to Door	8 ft.	
		2	5100003-R072	TRIM, Window outside (white)	8 ft.
		3	5100003-R073	TRIM, Window inside (Beige) (Coach 00001 to 00565)	8 ft.
		3	5100003-R077	TRIM, Window inside (Brown) (Coach 00566 to 00662)	8 ft.
		3	5100003-37	TRIM, Window inside (Aluminum) (Coach 00663 & up)	1
		4	5100003-R011	GLASS, Large Stationary (Laminated 00001 to 00037)	1
		4	5100003-R055	GLASS, Large Stationary (Tempered, Coach 00038 & up)	1
		5	5100003-R009	GLASS, Small Stationary (laminated, Coach 00001 to 00037)	1
		5	5100003-R056	GLASS, Small Stationary (Tempered, Coach 00038 & up)	1
		6	5100003-R010	GLASS, Sliding (Laminated, Coach 00001 to 00037)	1
		6	5100003-R059	GLASS, Sliding (Tempered, Coach 00038 & up)	1
	3-2	7	5100003-R043	RUBBER, Glass Glazing	10 ft.
8		5100003-R054	TAPE, Glass Glazing	7 ft.	
9		5100003-R058	FELT, Center Rail	1 ft.	
10		5100003-R060	CHANNEL, Glass Run	4 ft.	
11		5100003-R061	STOP, Sliding Glass (1 1/2" long)	1	
3-2	12	5100003-R050	HANDLE, Sliding Glass (w/tape)	1	
	13	5100003-R062	TAPE, Handle Attaching (1 5/8 x 2 3/4 inch)	1	
	14	5100003-R081	RETAINER, Glass (Aluminum)	2	

REPAIR PARTS LIST

GROUP 3 Body Equipment
 MODEL 2900 R



SD-515

Figure 3-3. Passenger Door Window Assembly.

REPAIR PARTS LIST

GROUP 3
MODEL 2900R

FIG NO.	ITEM NO.	PART NUMBER	ITEM DESCRIPTION	QTY PER UNIT	
3-3	1	5100003-06	WINDOW ASSY, Passenger Door (with screen and tempered glass)	1	
		M25090	RIVET, Window to Door	17	
		M22254	TAPE, Window to Door	6 ft.	
	2	5100003-R072	TRIM, Window outside (white)	6 ft.	
	3	5100003-R073	TRIM, Window inside (beige) (Coach 00001 to 00565)	7 ft.	
	3	5100003-R077	TRIM, Window inside (brown) (Coach 00566 to 00622)	7 ft.	
	3	5100003-36	TRIM, Window inside (Aluminum) (Coach 00663 & up)	1	
	4	5100003-R001	GLASS, Stationary and sliding (laminated, coach 00001 to 00037)	2	
	4	5100003-R065	GLASS, Stationary and sliding (tempered, coach 00038 and up)	2	
	5	5100003-R043	RUBBER, Glass glazing	4 ft.	
	6	5100003-R054	TAPE, Glass glazing	2 ft.	
	7	5100003-R058	FELT, Stationary and sliding glass	4 ft.	
	8	5100003-R060	CHANNEL, Sliding glass run	5 ft.	
	9	5100003-R061	STOP, Sliding glass (1 1/2 long rubber)	2	
	3-3	10	5100003-R050	HANDLE, Sliding glass (w/tape)	1
		11	5100003-R062	TAPE, Handle attaching (1 5/8 x 2 3/4)	1
		12	5100003-R044	SCREEN ASSY, Passenger door window	1
	13	5100003-R064	CHANNEL, Screen run	2 ft.	
	14	5100003-R053	SPLEEN, Screen to frame attaching	5 ft.	
	15	5100003-R051	RUBBER, Screen Porous	2 ft.	
	16	5100003-R052	SPRING, Screen frame pressure (nylon)	2	
	17	5100003-R082	RETAINER, Glass (Aluminum)	2	

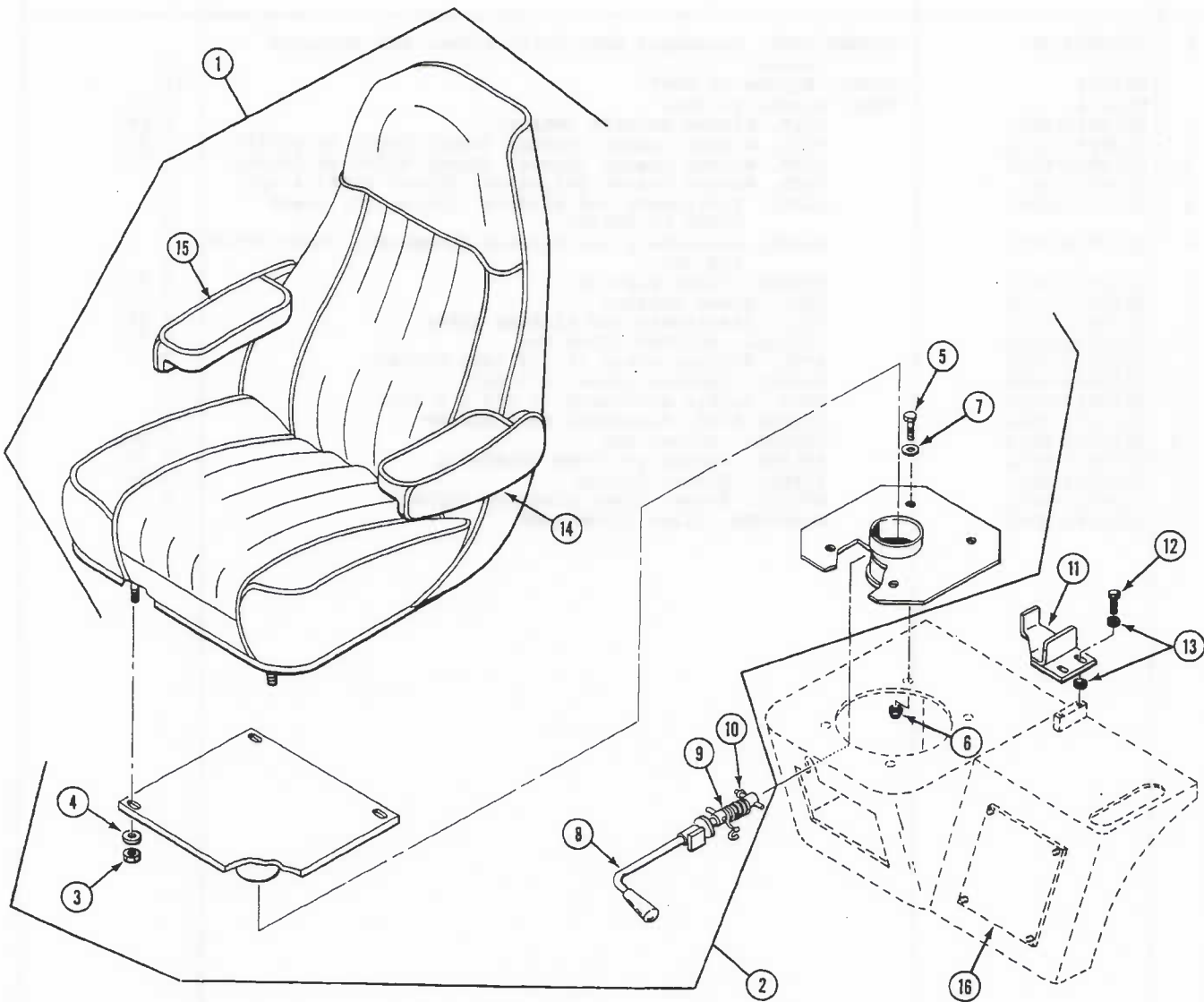


FMC Corporation
Motor Coach Division
333 Brokaw Road Box 664 Santa Clara California 95052

ISSUED 9/73
REVISED C4, 9/76

REPAIR PARTS LIST

GROUP 3 Body Equipment
MODEL 2900 R



SD-1059

Figure 3-4. Driver's Seat.

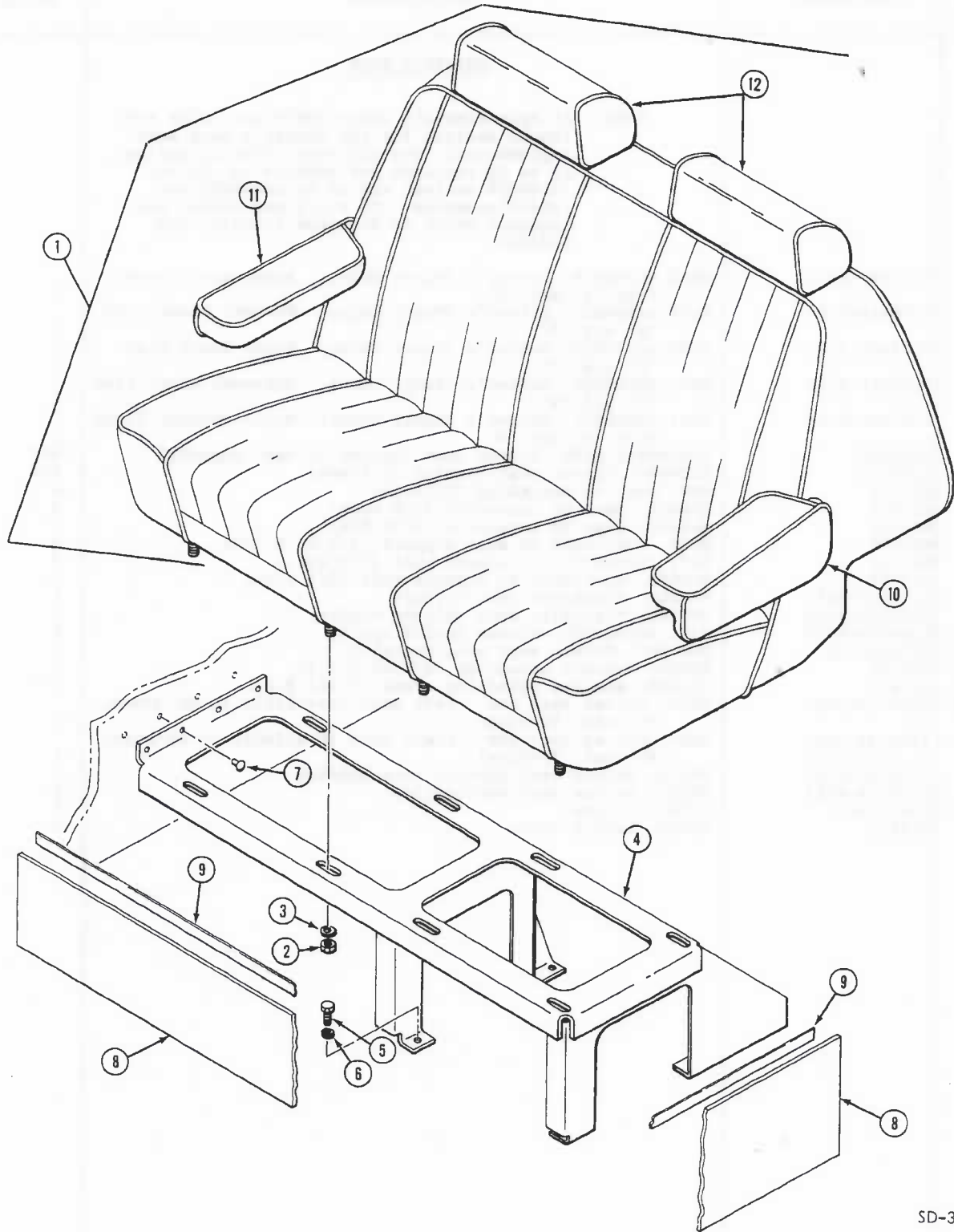
REPAIR PARTS LIST

GROUP 3
MODEL 2900R

FIG NO.	ITEM NO.	PART NUMBER	ITEM DESCRIPTION	QTY PER UNIT
			<u>DRIVER'S SEAT</u>	
			NOTE: At approximately coach 00874 new color and fabric designs for the driver's seat were implemented. The old seat (5100110 series) is to be replaced for service by the new (5108448 series) and as an assembly are interchangeable. If vinyl and fabric are required refer to drawings 5100119, and 5108448.	
3-4	1	5108448-0150	SEAT ASSEMBLY, Driver's (Vinyl Color: Asparagus) Floor Plan "A" and "J"	1
	1	5108448-0151	SEAT ASSEMBLY, Driver's (Vinyl Color: Pongee) Floor Plan "A" and "J"	1
	1	5108448-0152	SEAT ASSEMBLY, Driver's (Vinyl Color: Rust) Floor Plan "A" and "J"	1
	1	5108448-0153	SEAT ASSEMBLY, Driver's (Vinyl Color: Tobacco) Floor Plan "E" and "M"	1
	1	5108448-0154	SEAT ASSEMBLY, Driver's (Vinyl Color: Burnt Orange) Floor Plan "E" and "M"	1
	2	5100955	TURNTABLE ASSY, Driver seat (welded to seat support)	1
		5100534	SUPPORT, Driver seat (welded to frame)	REF
	3	M17039	NUT, Seat to turntable (5/16-18)	4
	4	M17007	WASHER, Seat to turntable (3/8 lock)	4
	4	M17161	WASHER, Seat to turntable (5/16 flat)	4
	5	M18075	BOLT, Turntable to seat support (3/8-16 x 7/8)	4
3-4	6	M17010	NUT, Turntable to support bolt (3/8-16)	4
	7	M17068	WASHER, Turntable to support bolt (3/8 flat)	4
	8	5100955-R003	HANDLE, Turntable seat release	1
	9	5100955-R004	SPRING, Turntable seat release handle	1
	10	5100955-R005	PIN, Turntable release handle spring	1
	11	5100964-04	BRACKET, Driver seat anti-rotation	1
3-4	12	M18005	SCREW, Bracket attaching (1/4-20 x 3/4)	2
	13	M17058	WASHER, Bracket attaching screw (0.281 flat)	4
	14	5100119-R001	REST, Driver seat arm - left hand (available in GR- green, RU-rust, BL-blue)	1
	15	5100119-R002	REST, Driver seat arm - right hand (available in GR-green, RU-rust, BL-blue)	1
		5100119-R003	TRACK, Driver seat locking (inc handle)	1
		5100119-R004	TRACK, Driver seat non-locking	1
3-4	16	5107418-13	COVER, Access	1
		M14017	SCREW, Access Cover	4

REPAIR PARTS LIST

GROUP 3 Body Equipment
 MODEL 2900 R



SD-344

Figure 3-5. Passengers Seat

REPAIR PARTS LIST

GROUP 3
MODEL 2900R

FIG NO.	ITEM NO.	PART NUMBER	ITEM DESCRIPTION	QTY PER UNIT
<u>PASSENGER SEAT FLOOR PLAN "A" ONLY</u>				
NOTE: At approximately coach 00874 new color and fabric designs for the passenger seat were implemented. The old seat (5100120 series) is to be replaced for service by the new (5108489 series) and as an assembly are interchangeable. If vinyl and fabric are required refer to drawings 5100120 and 5108489.				
3-5	1	5108489-0157	SEAT ASSEMBLY, Passenger (Vinyl Color: Asparagus)	1
	1	5108489-0156	SEAT ASSEMBLY, Passenger (Vinyl Color: Pongee)	1
	1	5108489-0155	SEAT ASSEMBLY, Passenger (Vinyl Color: Rust)	1
	2	M17039	NUT, Seat to support bolt (5/16-18)	8
	3	M17007	WASHER, Seat support bolt (3/8 lock)	8
	3	M17005	WASHER, Seat to support bolt (5/16 flat)	8
	4	5100216	SUPPORT, Passenger Seat	1
3-5	5	M18024	SCREW, Support to frame (3/8-16 x 3/4)	6
	6	M17068	WASHER, Support to frame screw (7/16 flat)	6
	7	M25043	RTVET, Support to frame (3/16)	4
	8	5101157-01	SKIRT, Passenger seat (Coach 00001 to 00873) (Available in Rust, Green, or Blue; specify color when ordering)	1
	8	5108504-0157	SKIRT, Passenger seat (Coach 00874 & up) (Color: Asparagus)	1
	8	5108504-0156	SKIRT, Passenger seat (Coach 00874 & up) (Color: Pongee)	1
	8	5108504-0155	SKIRT, Passenger seat (Coach 00874 & up) (Color: Rust)	1
	9	5101159-R001	TAPE, Seat Skirt (1" wide, sewed to skirt back)	6 ft.
3-5	10	5100119-R001	ARM, Passenger Seat Left Side (Coach 00001 to 00873)	1
	10	5108489-R001	ARM, Passenger Seat Left Side (Coach 00874 & up) (Color: Asparagus)	1
	10	5108489-R002	ARM, Passenger Seat Left Side (Coach 00874 & up) (Color: Pongee)	1
	10	5108489-R003	ARM, Passenger Seat Left Side (Coach 00874 & up) (Color: Rust)	1
	11	5100119-R002	ARM, Passenger Seat Right Side (Coach 00001 to 00873)	1
	11	5108523-0157	ARM, Passenger Seat Right Side (Coach 00874 & up) (Color: Asparagus)	1
	11	5108523-0156	ARM, Passenger Seat Right Side (Coach 00874 & up) (Color: Pongee)	1
	11	5108523-0155	ARM, Passenger Seat Right Side (Coach 00874 & up) (Color: Rust)	1
	12	5100119-R005	HEADREST, Passenger Seat (Coach 00001 to 00873)	2
	12	5108489-R004	HEADREST, Passenger Seat (Coach 00874 & up) (Color: Asparagus)	2
3-5	12	5108489-R005	HEADREST, Passenger Seat (Coach 00874 & up) (Color: Pongee)	2
	12	5108489-R006	HEADREST, Passenger Seat (Coach 00874 & up) (Color: Rust)	2
		5100119-R003	TRACK, Passenger Seat Locking	1
		5100119-R004	TRACK, Passenger Seat Non-locking	1

REPAIR PARTS LIST

GROUP 3 Body Equipment
 MODEL 2900 R

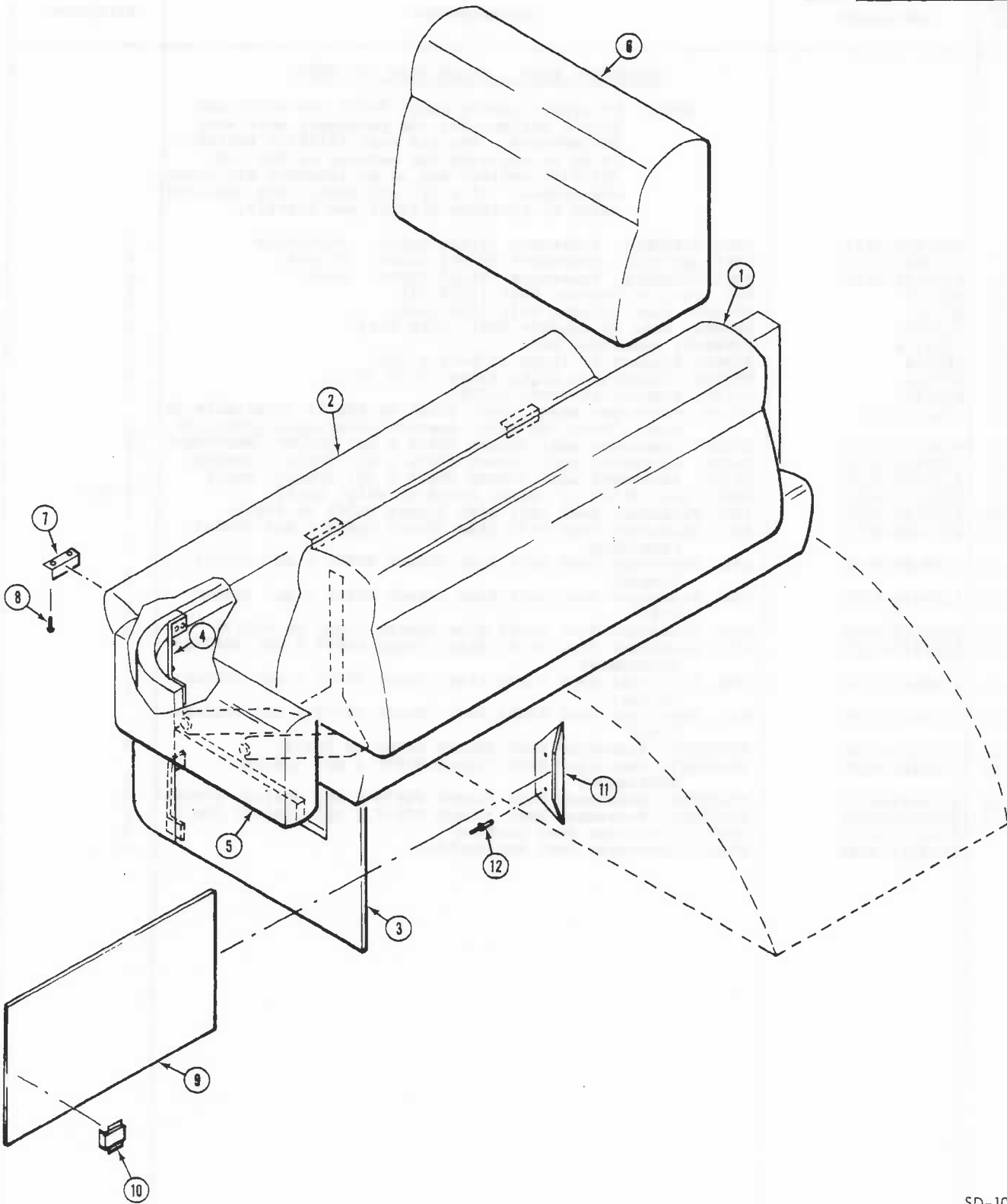


Figure 3-6. Passenger Seat Assembly (Floor Plan "J" and "M")

SD-1029

REPAIR PARTS LIST

GROUP 3
MODEL 2900R

FIG NO.	ITEM NO.	PART NUMBER	ITEM DESCRIPTION	QTY PER UNIT
			<u>PASSENGER SEAT ASSEMBLY-</u> <u>FLOOR PLAN "E", "J", AND "M"</u>	
			NOTE: At approximately coach 00874 new color and fabric designs for the passenger seat were implemented. The old seat (5101654 series) is to be replaced for service by the new (5108274 series) and as an assembly are interchangeable. If vinyl and fabric are required refer to drawings 5106154 and 5108274.	
3-6	1	5108274-12	BACKREST ASSY, Upholstered	1
	2	5108274-13	CUSHION ASSY, Seat	1
	3	5101654-50	SKIRT, Passenger Seat (Coach 00001 to 00873)	1
	3	5108274-11	SKIRT, Passenger Seat (Coach 00874 & up)	1
	4	5101766	CORNER, Seat Skirt	2
3-6	5	5101654-49	ARMREST, Seat Inboard (Coach 00001 to 00873)	1
	5	5108274-10	ARMREST, Seat Inboard (Coach 00874 & up)	1
	6	5101654-20	BOLSTER, Seat Outboard (Coach 00001 to 00873)	1
	6	5108274-06	BOLSTER, Seat Outboard (Coach 00874 & up)	1
	7	5101893	BRACKET, Seat Skirt	8
	8	M25031	RIVET, Skirt Bracket	32
3-6	9	5101654-22	PANEL, Converter & Seat Belt Access (Less Catch) (Coach 00001 to 00873)	1
	9	5108274-07	PANEL, Converter & Seat Belt Access (Less Catch) (Coach 00874 & up)	1
	10	5101916	CATCH, Access Door	1
3-6	11	5101781	CHANNEL, Access Door Stop	1
	12	M25029	RIVET, Channel Attaching	2

REPAIR PARTS LIST

GROUP 3 Body Equipment
 MODEL 2900 R

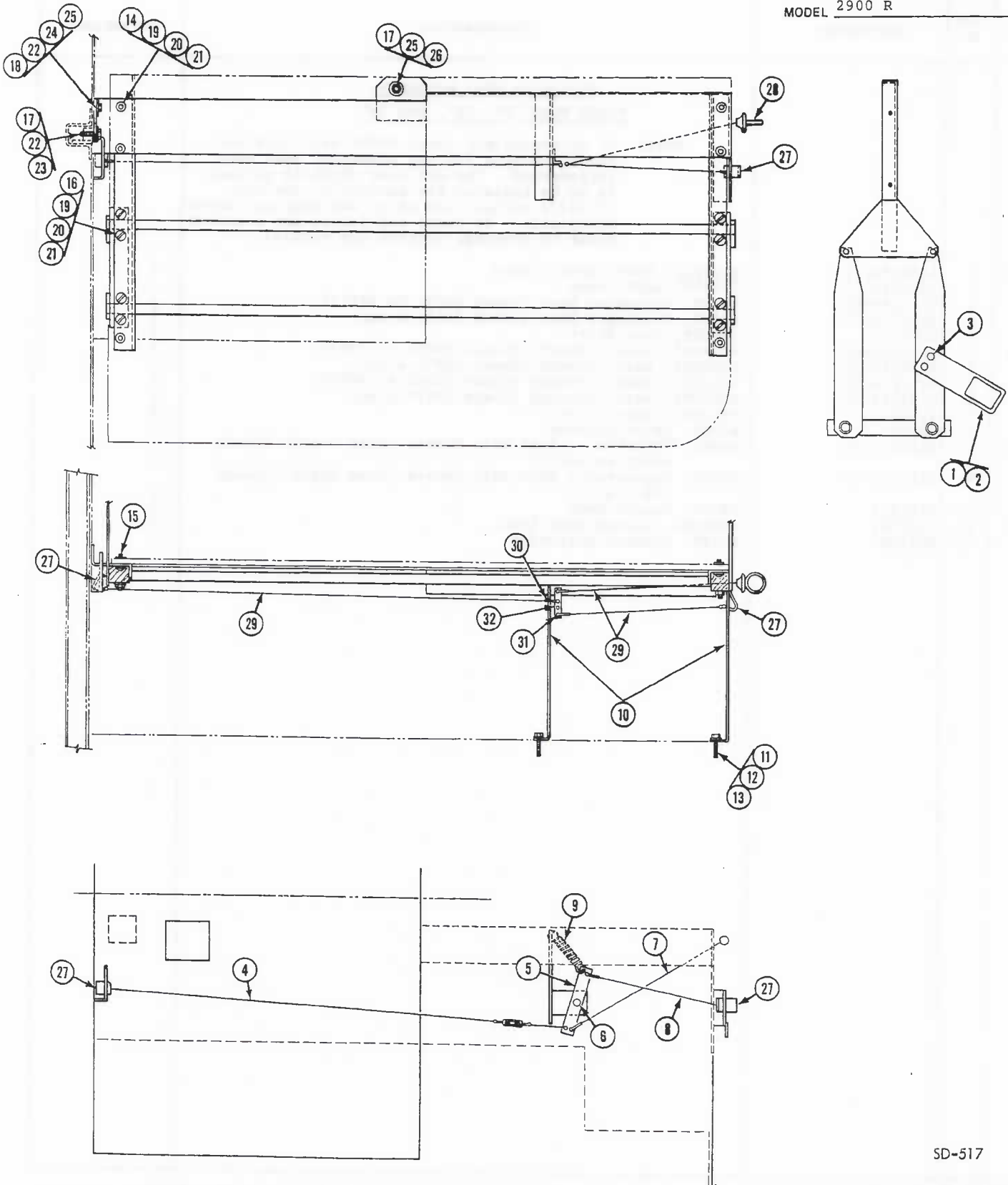


Figure 3.-7 Passenger Seat Latch Mechanism (Floor Plan "E" "J" "M")

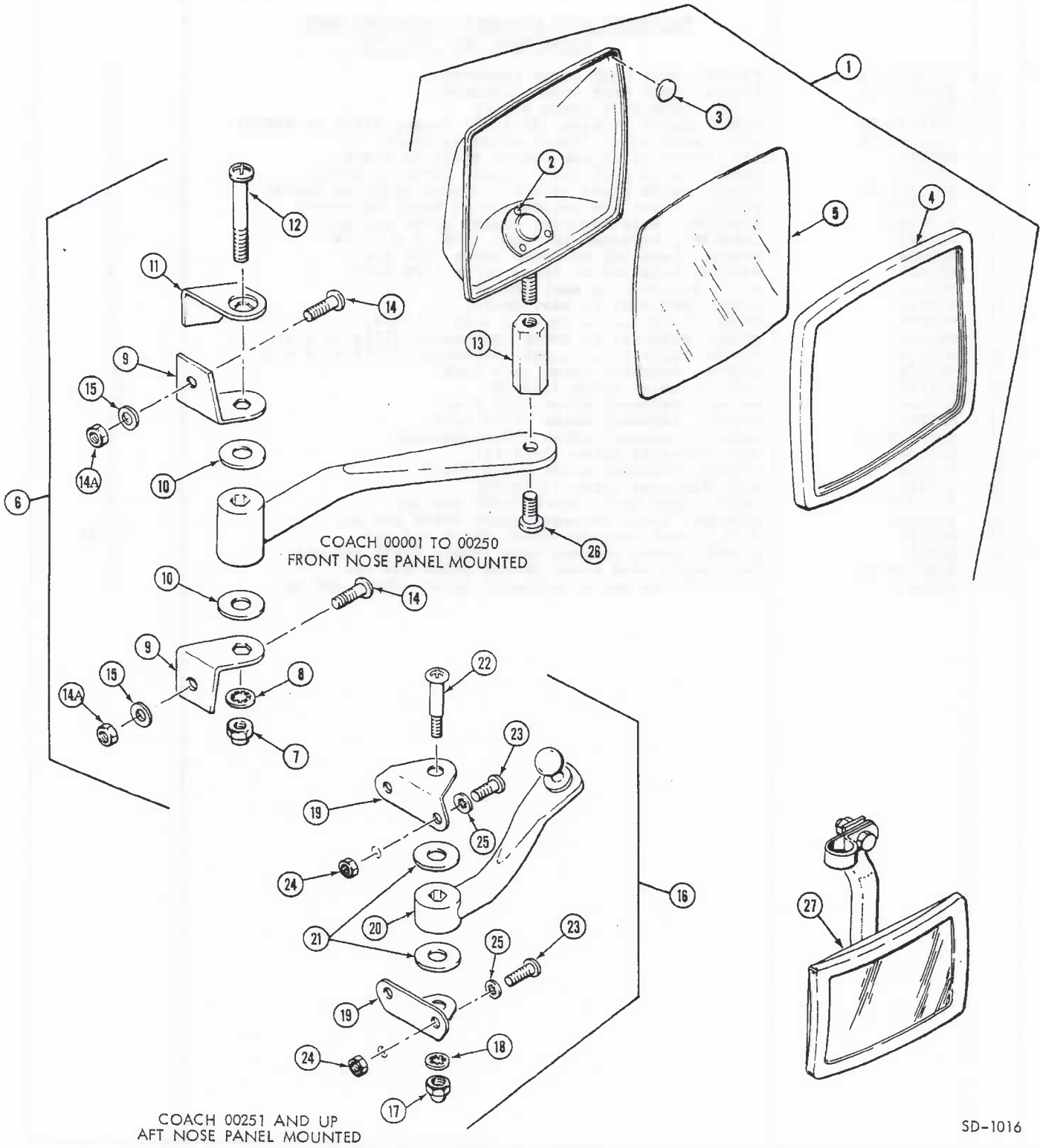
REPAIR PARTS LIST

GROUP 3
MODEL 2900R

FIG NO.	ITEM NO.	PART NUMBER	ITEM DESCRIPTION	QTY PER UNIT
<u>PASSENGER SEAT ASSEMBLY - MOUNTING BASE</u>				
<u>FLOOR PLAN "E" "J" "M"</u>				
3-7	1	5101609-10	STRIKE, Seat back latch (outboard)	1
	2	5101609-11	STRIKE, Seat back latch (inboard)	1
	3	M25025	RIVET, Seat back latch strike	4
	4	5101972-02	CABLE, Latch release (32-3/8") (coach 00300 to 00405)	1
	5	5101736-14	ARM, Latch pivot (coach 00300 to 00405)	1
3-7	6	M25201	PIN, Latch pivot arm (coach 00300 to 00405)	1
	7	5101971	CABLE, Latch pull (14") (coach 00300 to 00405)	1
	8	5101972-01	CABLE, Latch pivot (9-5/8") (coach 00300 to 00405)	1
	9	5101970	SPRING, Pivot arm return (coach 00300 to 00405)	1
	10	5106046	PEDESTAL, Seat mounting (coach 00406 and up)	1
	11	M18023	CAPSCREW, Pedestal to frame (3/8-16 x 1-1/4)	4
3-7	12	M17004	WASHER, Pedestal to frame screw (3/8 flat)	4
	13	M17007	WASHER, Pedestal to frame screw (3/8 lock)	4
	14	M25140	BOLT, Pedestal to seal (moly)	6
	15	M14270	SCREW, Pedestal to seat (moly)	6
	16	M14299	SCREW, Pedestal to seat (1/4-20 x 1-3/4)	8
	17	M18084	SCREW, Pedestal to coach (outboard) (7/16-20 x 1)	1
3-7	18	M14324	SCREW, Pedestal to coach (outboard) (7/16 x 14 x 1)	1
	19	M17024	WASHER, Pedestal screw (1/4 lock)	34
	20	M17070	NUT, Pedestal screw (1/4-20)	28
	21	M17045	WASHER, Pedestal screw (1/4 flat)	26
	22	M17009	WASHER, Pedestal screw (7/16 lock)	6
	23	5100570-02	WASHER, Pedestal screw (flat-special)	2
3-7	24	M17138	NUT, Pedestal screw (7/16-14)	1
	25	M17018	WASHER, Pedestal screw (7/16 flat)	6
	26	M17011	NUT, Pedestal screw (7/16-20)	5
	27	5101726	LATCH, Seat back (coach 00300 and up)	2
	28	5106048	LANYARD, Latch release (coach 00406 and up)	1
	29	M22191	WIRE, Latch release (coach 00406 and up)	15 ft
3-7	30	M23015	S-HOOK, Latch release wire (coach 00406 and up)	4
	31	5106046-05	ARM, Latch wire pivot (coach 00406 and up)	1
	32	M25043	RIVET, Pivot arm to pedestal (coach 00406 and up)	1

REPAIR PARTS LIST

GROUP 3 Body Equipment
 MODEL 2900 R



SD-1016

Figure 3-8. Outside Rear View Mirror

REPAIR PARTS LIST

GROUP 3
MODEL 2900R

FIG NO.	ITEM NO.	PART NUMBER	ITEM DESCRIPTION	QTY PER UNIT	
<u>OUTSIDE REAR VIEW MIRRORS</u>					
3-8	1	5100205	HEAD ASSY, Outside rear view mirror (AS-1875)	2	
	2	5100205-R002	SCREW, Mirror ball joint to head (1/8-20 x 3/4 phillips head)	6	
	3	5100205-R003	PAD, Glass mounting (1" diameter)	16	
	4	5100205-R004	RETAINER, Glass to head rubber	2	
	5	5100205-R001	MIRROR, Glass (AS-3902)	2	
NOTE: The following arm assemblies used coach 00001 to 00250, mirrors mounted on front nose panel.					
3-8	6	5100206	ARM ASSY, Rear view mirror LH (AS-1623)	1	
	6	5100207	ARM ASSY, Rear view mirror RH (AS-1922)	1	
	7	5100206-R001	NUT, Mirror arm bolt acorn (3/8-16 x 3/4)	2	
	8	5101786-07	WASHER, Mirror arm bolt internal lock (3/8)	2	
	9	5100206-R002	BRACKET, Mirror arm mount	4	
	10	5101786-05	WASHER, Mirror arm fibre (0.06 x 3/8 ID x 1-1/4 OD)	4	
	11	5100206-R003	BRACKET, Mirror arm positioning	2	
	12	5100206-R004	BOLT, Mirror arm thru bolt (3/8-16 x 2-1/4)	2	
	13	5100997	BOSS, Mirror head to arm	2	
	14	M18023	BOLT, Arm attaching (3/8-16 x 1-1/4)	4	
	14A	M17010	NUT, Arm attaching bolt (3/8-16)	4	
	15	5100570-03	WASHER, Arm attaching (at nose panel 3/16 x 2)	4	
	NOTE: The following arm assemblies used from coach 00251 and up, mirrors mounted aft of front nose panel.				
	3-8	16	5101786	ARM ASSY, Rear view mirror LH	1
		16	5101788	ARM ASSY, Rear view mirror RH	1
17		5101786-08	NUT, Mirror arm bolt acorn	2	
18		5101786-07	WASHER, Mirror arm acorn nut internal lock (3/8)	2	
19		5101786-01	BRACKET, Mirror arm mounting	4	
20		5101786-02	BOSS, Mirror arm bracket	2	
21		5101786-05	WASHER, Mirror arm fibre (0.06 x 3/8 ID x 1-1/4 OD)	4	
22		5101786-06	BOLT, Mirror arm thru	2	
		5100351-10	SPACER, Arm to coach body (left side)	1	
23		M18023	BOLT, Mirror attaching (3/8-16 x 1-1/4)	4	
24		M17010	NUT, Mirror attaching (3/8-16)	4	
25		M17004	WASHER, Mirror attaching (flat 3/8)	4	
25	M17007	WASHER, Mirror attaching (lock 3/8)	2		
26	M18105	BOLT, Boss to head (3/8-16 x 3/4)	2		
27	5108770	MIRROR, Wide angle rectangular (convex) (RH) (Coach 00966 & up)	1		

REPAIR PARTS LIST

GROUP 3 Body Equipment
 MODEL 2900 R

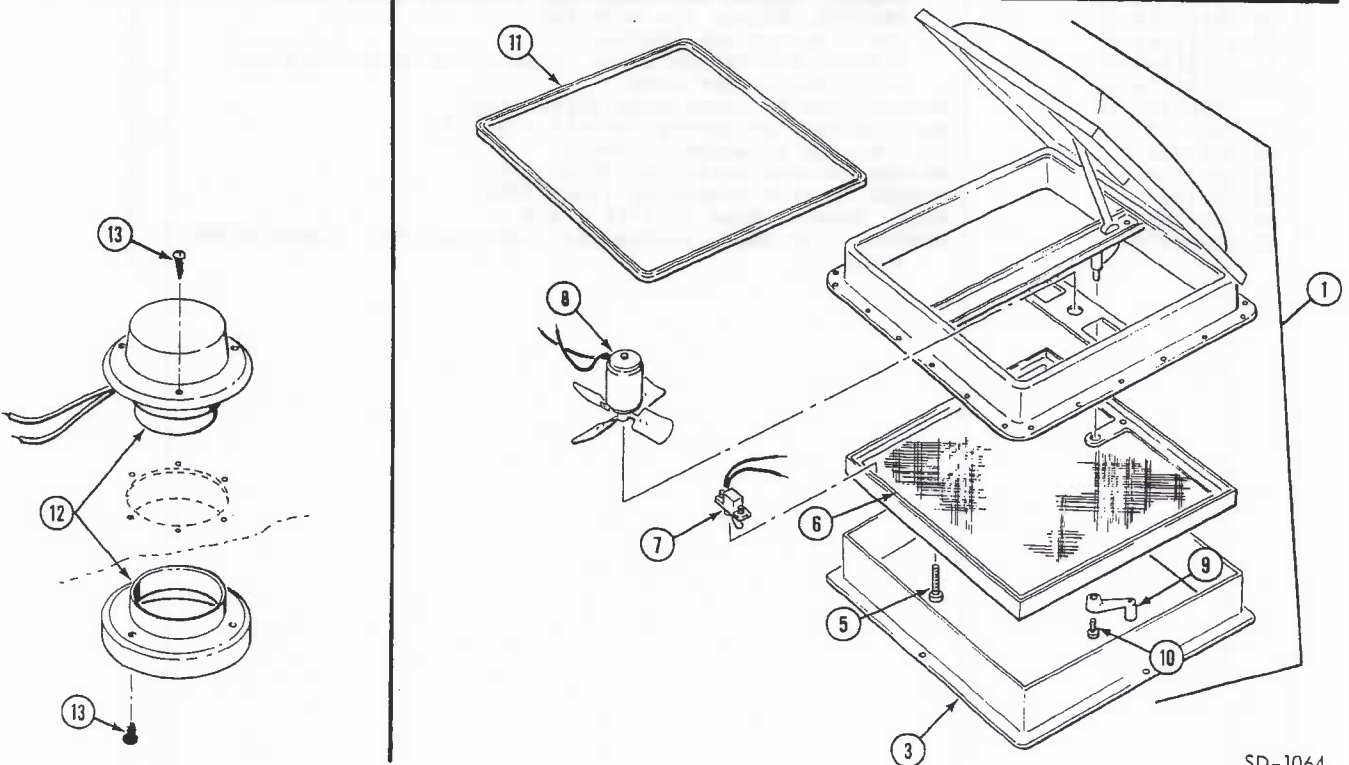
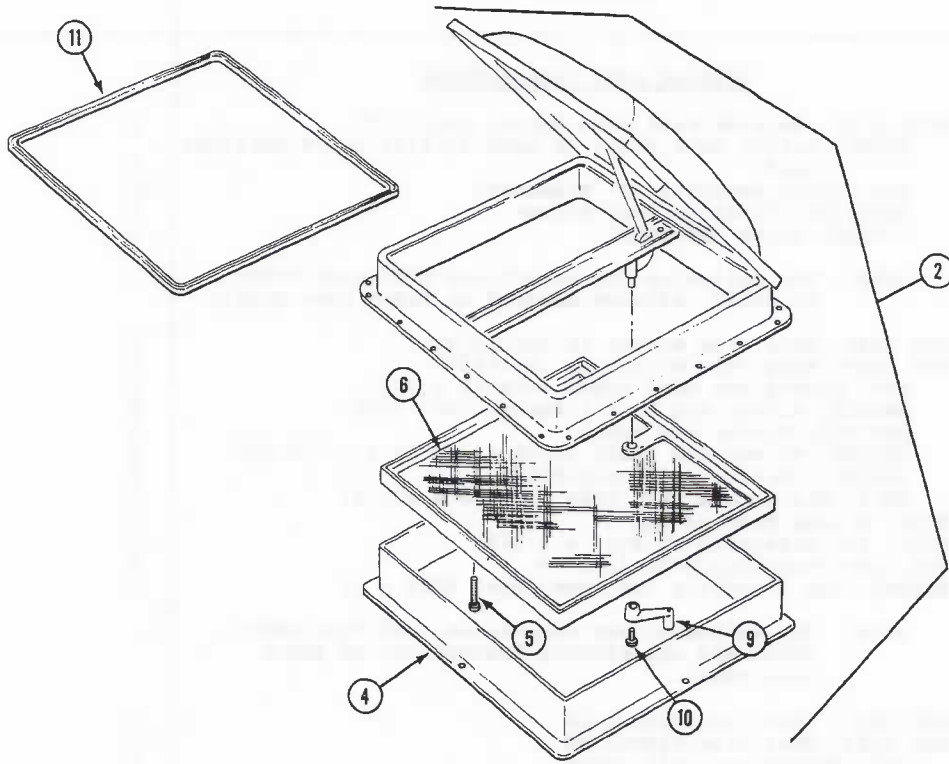


Figure 3-9. Roof Ventilators.

SD-1064

REPAIR PARTS LIST

GROUP 3
MODEL 2900R

FIG NO.	ITEM NO.	PART NUMBER	ITEM DESCRIPTION	QTY PER UNIT
<u>ROOF VENTILATORS</u>				
NOTE: Powered vent (5100123) used in bath to coach 00256. Two non-powered vents (5100122); one in bath, one in bedroom used from coach 00257 & up on all "A" & "J" models. A powered vent (5106088) used in bath from coach 00646 & up. A powered vent (5100123) used in bedroom on "M" models 00927 & up.				
3-9	1	5100123	VENT ASSY, Bath-powered (JE-16SW) (Coach 00001 to 00256)	1
		5100123	VENT ASSY, Bedroom (JE-16SW) (Coach 00927 & up "M" model)	1
		M25049	RIVET, Bath Vent attaching	24
	2	5100122	VENT ASSY, Hallway & Bedroom-non powered (JE-14W) (Model "A" & "J")	2
		M25034	RIVET, Non-powered vent attaching	48
	3	5100123-R002	GARNISH W/SCREEN, Power Vent Plastic (Coach 00001 to 00256)	1
	4	5100122-R001	GARNISH W/SCREEN, Hallway & Bedroom vent plastic (JE-IL)	2
3-9	5	5100123-R007	SCREW, Garnish self tapping (1 3/4")	8
	6	5100123-R003	SCREEN, Vent Garnish	8 sq. ft.
	7	5100123-R004	SWITCH, Power Vent Toggle (Coach 00001 to 00256) (JE-1886A)	1
	8	5100123-R001	FAN, Power Vent (Coach 00001 to 00256) (JE-KPS)	2
	9	5100123-R005	HANDLE, Vent Opening	4
3-9	10	5100123-R008	SCREW, Vent Handle	4
	11	5100123-R006	SEAL, Vent Porous Rubber Cover	20 ft.
	12	5106088	VENT, Bath Powered (Coach 00646 & up) (HA CB-350BL)	1
3-9	13	M14015	SCREW, Powered Vent to Bath Roof (#8 x 1/2)	6

REPAIR PARTS LIST

GROUP 3 Body Equipment
MODEL 2900 R

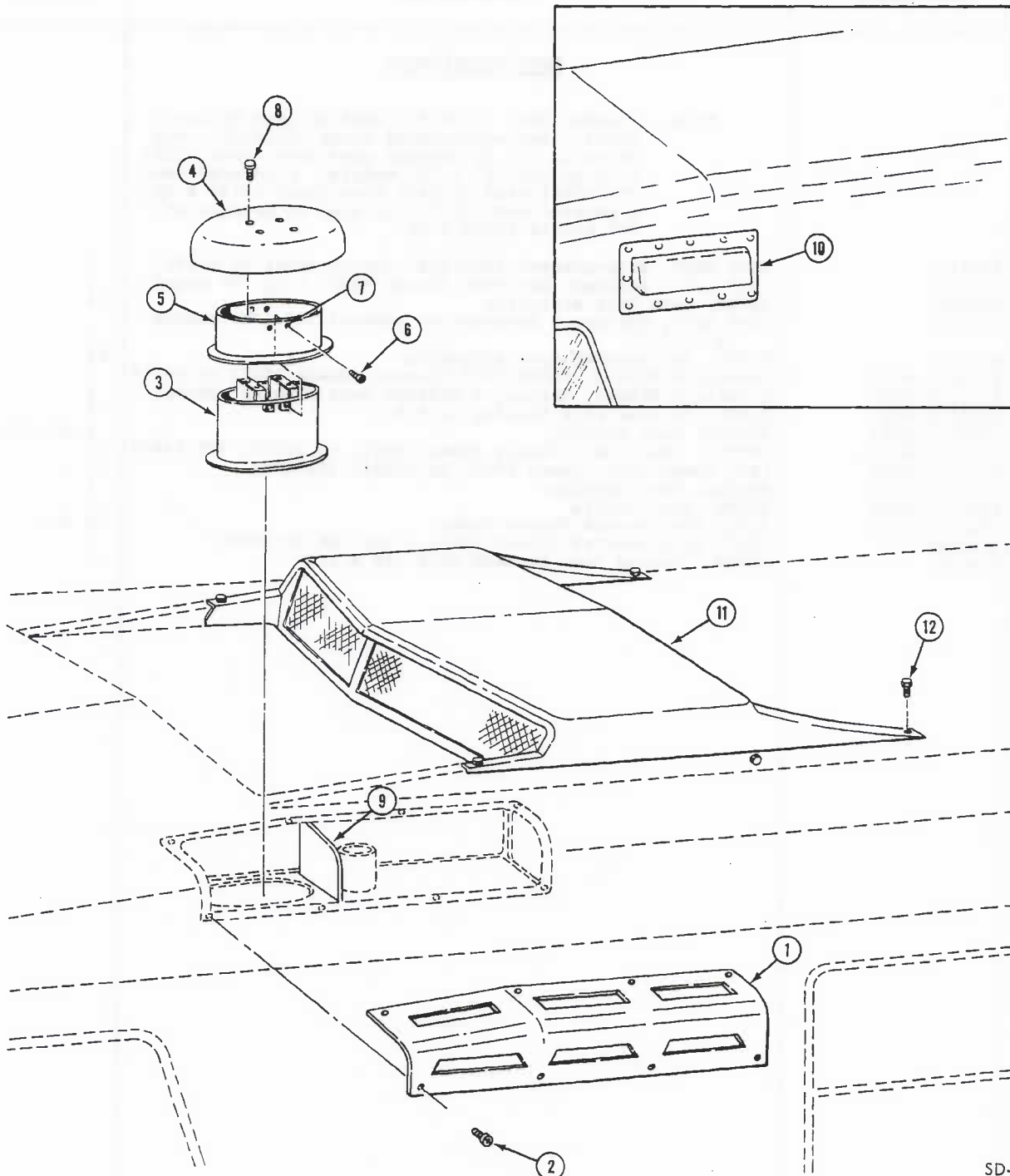


Figure 3-9.1. Range Vent.

SD-1063

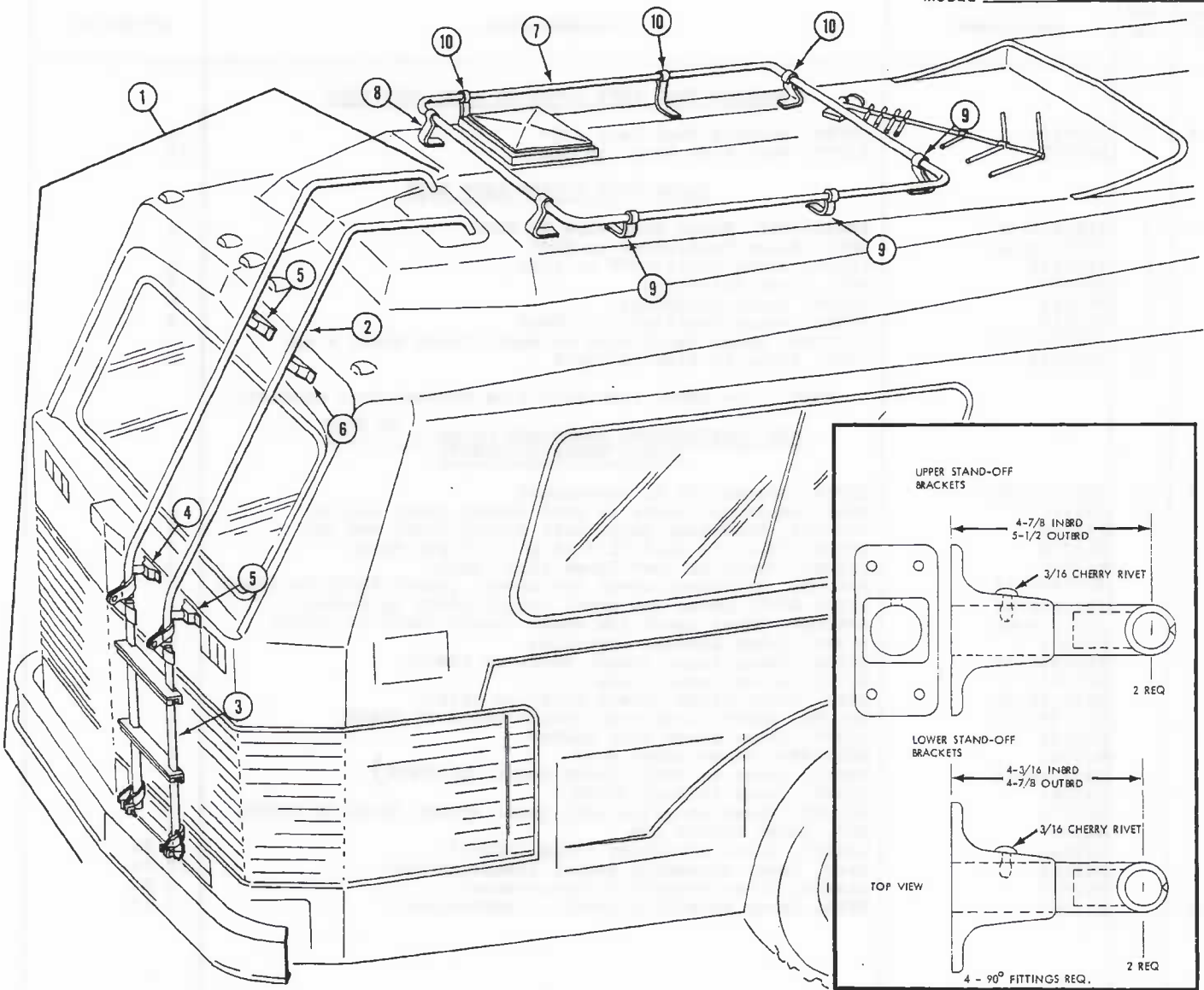
REPAIR PARTS LIST

GROUP 3
MODEL 2900R

FIG NO.	ITEM NO.	PART NUMBER	ITEM DESCRIPTION	QTY PER UNIT	
<u>HANDING TANK VENT COVER ON ROOF LEFT SIDE</u>					
3-9.	1	5100148	COVER, Holding Tank Vent Pipe	1	
	2	M25077	RIVET, Vent Pipe Cover to Roof	10	
<u>RANGE VENT COVERS-LEFT SIDE</u>					
3-9.	3	5101257-01	VENTILATOR, Range Vent Pipe to Roof	1	
	4	5101256-01	HOOD, Range Ventilator to Roof	1	
	5	5101441	LINER, Range Ventilator to roof	1	
	6	M25037	NUT, Liner Attaching	4	
	7	M14014	SCREW, Liner Attaching	4	
	8	M14015	SCREW, Range Ventilator to Roof	8	
	9	5100021-14	DIVIDER, Range Ventilator to Roof (Coach 00461 & up)	1	
	10	5107044	VENT, Range to Side of Coach	1	
	NOTE: Use above item with side mounted vent coaches.				
	<u>AIR CONDITIONING CONDENSER COVER - ON ROOF</u> <u>(Coach 00001 to 00645)</u>				
3-9.	11	5101356-M01	COVER, Automotive AC condensers	1	
	12	M25140	BOLT, Condenser cover to roof (coach 00401 and up)	4	
		M17146	JACKNUT, Condenser cover bolt (coach 00401 and up)	4	
		M14270	SCREW, Cover to Roof (1/4-20 x 1 1/2 pan head)	4	
		M17024	WASHER, Cover to Roof Screw (1/4" lock)	4	
		5101405-02	BRACKET, Condenser cover (on cover) (coach 00001 to 00400)	2	
		5101405-03	LATCH ASSY, Cover (on roof) (coach 00001 to 00400)	2	
		5101619-01	BRACKET, Cover latch (on roof) (coach 00001 to 00400)	2	
		M25084	RIVET, Latch bracket attaching	8	
		5101356-06	HINGE, Cover inner (coach 00001 to 00400)	1	
		M25045	RIVET, Cover inner hinge	1	
		5101356-07	STAY, Cover hinge (coach 00001 to 00400)	1	
		5101356-13	HOLDER, Cover hinge stay (coach 00001 to 00400)	1	
		M25045	RIVET, Cover hinge stay holder	1	
		M25086	RETAINER, Cover hinge stay	1	
		5101356-17	ANGLE, Cover to roof (Coach 00001 to 00400)	2	
		M25085	RIVET, Cover to roof angle	6	
		M22073	SOCKET, Cover securing ball joint (coach 00001 to 00400)	2	
		M17087	NUT, Cover socket jam	8	
		M20023	GASKET, Cover attaching (longitudinal)	12 ft.	
	M19061	TAPE, Cover attaching gasket (longitudinal)	12 ft.		
	M20024	GASKET, Cover attaching (transverse)	5 ft.		
3-9.		M19061	TAPE, Cover attaching gasket (transverse)	5 ft.	

REPAIR PARTS LIST

GROUP 3 Body Equipment
 MODEL 2900R



SD-1034

Figure 3-9.2 Roof Rack and Ladder Assembly (00646 and UP).

REPAIR PARTS LIST

GROUP 3
MODEL 2900R

FIG NO.	ITEM NO.	PART NUMBER	ITEM DESCRIPTION	QTY PER UNIT
			<u>ROOF Rack AND LADDER ASSY</u>	
3-9.2		5107051	RACK AND LADDER ASSY, Coach 00646 & up	1
	1	5107051-01	LADDER ASSY	1
	2	5107051-02	LADDER, Upper Section	1
	3	5107051-03	LADDER, Lower Section	1
	4	5107051-04	STANDOFF, Ladder (4 3/16-Lower Inboard)	1
3-9.2	5	5107051-05	STANDOFF, Ladder (4 7/8-Top Inboard, Lower Outboard)	2
	6	5107051-06	STANDOFF, Ladder (5 1/2-Top Outboard)	1
	7	5107051-09	RAIL, Luggage Rack	1
	8	5107051-10	STANDOFF, Luggage Rack Rail	4
	9	5107051-11	LEGS, Luggage Rack Standoff (right)	3
3-9.2	10	5107051-12	LEGS, Luggage Rack Standoff (left)	3

REPAIR PARTS LIST

GROUP 3 Body Equipment
MODEL 2900 R

FIG NO.	ITEM NO.	PART NUMBER	ITEM DESCRIPTION	QTY PER UNIT
			<u>SEAT BELTS AND HARDWARE</u>	
		5100930-01	BELT, Drivers seat	1
		5100930-02	BELT, Drivers shoulder	1
		M18085	SCREW, Belt attaching (7/16-20 x 3/4)	3
		M17018	WASHER, Belt attaching screw (0.531 ID x 1.062 OD x 0.095, flat)	6
			<u>FLOOR PLAN "A"</u>	
		5100932-01	BELT, Passenger seat (outboard)	1
		5100932-02	BELT, Passenger seat (inboard)	1
		M18084	BOLT, Belt attaching (7/16-20 x 1)	2
		M17074	NUT, Belt attaching bolt (7/16-20)	2
		M17018	WASHER, Belt attaching bolt (0.531 ID x 1.062 OD x 0.095, flat)	2
		5100896-01	BELT, Rear dinette seat (outboard)	1
		5100896-02	BELT, Rear dinette seat (inboard)	1
		M18084	BOLT, Belt attaching (7/16-20 x 1)	2
		M17074	NUT, Belt attaching bolt (7/16-20)	2
		M17018	WASHER, Belt attaching bolt (0.531 ID x 1.062 OD x 0.095, flat)	2
			<u>FLOOR PLAN "J" AND "M"</u>	
		5100930-01	BELT, Passenger seat (inboard and outboard)	2
		M18085	BOLT, Belt attaching (7/16-20 x 3/4)	4
		M17011	NUT, Belt attaching bolt (7/16-20 x 3/4)	4
		M17009	WASHER, Belt attaching bolt (7/16 split)	4
		M17018	WASHER, Belt attaching bolt (7/16 flat)	8
			<u>SUN VISORS</u>	
		5100451	VISOR, Padded sun (driver and passenger)	2
		5100451-R001	NUT, Visor attaching (acorn 5/16-18)	4
		M17005	WASHER, Visor attaching (5/16 flat)	4
		M17092	NUT, Visor attaching hex (5/16-18)	4
		5100884-01	BRACKET, Visor to roof	2
		5100884-02	BRACKET, Visor to roof	2
		M14047	SCREW, Visor to roof bracket (No. 10 x 3/4)	8
			<u>WINDSHIELD BLACKOUT/PRIVACY CURTAIN</u>	
		5101265-08	CURTAIN, Windshield and side window (rust) (Coach 00001 to 00873)	1
		5101265-08	CURTAIN, Windshield and side window (blue) (Coach 00001 to 00873)	1
		5101265-08	CURTAIN, Windshield and side window (green) (Coach 00001 to 00873)	1
		5108525-0150	CURTAIN, Windshield and side window (color: nugget) (coach 00874 & up)	1
		5108525-0152	CURTAIN, Windshield and side window (color: gold) (Coach 00874 & up)	1
		5108525-0153	CURTAIN, Windshield and side window (color: cafe) (Coach 00874 & up)	1
		5108525-0167	CURTAIN, Windshield and side window (color: beige) (Coach 00874 & up)	1
		5100549	FASTENER, Windshield curtain	18
		M25049	RIVET, Windshield curtain fastener	18
			<u>INSIDE REAR VIEW MIRROR</u>	
			NOTE: For clock used on early coaches see Group 4	
		5100471	MIRROR, Inside rear view (Coach 00001 to 00899)	1
		M14312	SCREW, Inside rear view mirror	1
		5100472	BRACKET, Inside mirror mounting (Coach 00001 to 00899)	1
		M14072	SCREW, Inside mirror bracket (No. 8 x 1-1/4)	1
		M14071	SCREW, Inside mirror bracket (No. 8 x 5/8)	2
		5106017	MIRROR, Inside rear view (Coach 00900 & up)	1



FMC Corporation
Motor Coach Division
333 Brokaw Road Box 664 Santa Clara California 95052

ISSUED C1, 9/73
REVISED C4, 9/76

REPAIR PARTS LIST

GROUP 3 Body Equipment
 MODEL 2900 R

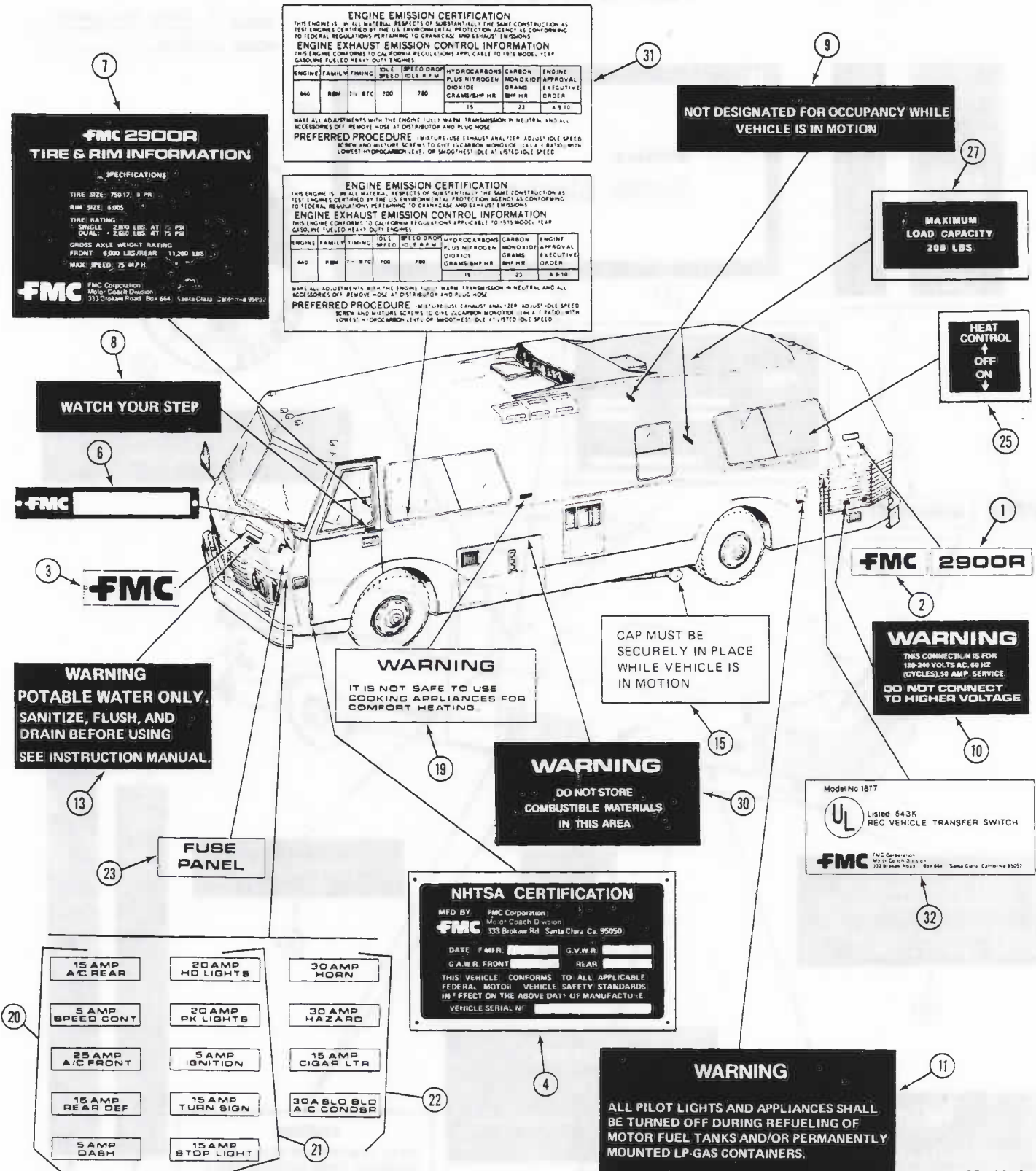


Figure 3-10. Nameplate and Decals (1 of 2)

SD-1060

REPAIR PARTS LIST

GROUP 3 Body Equipment

MODEL 2900 R

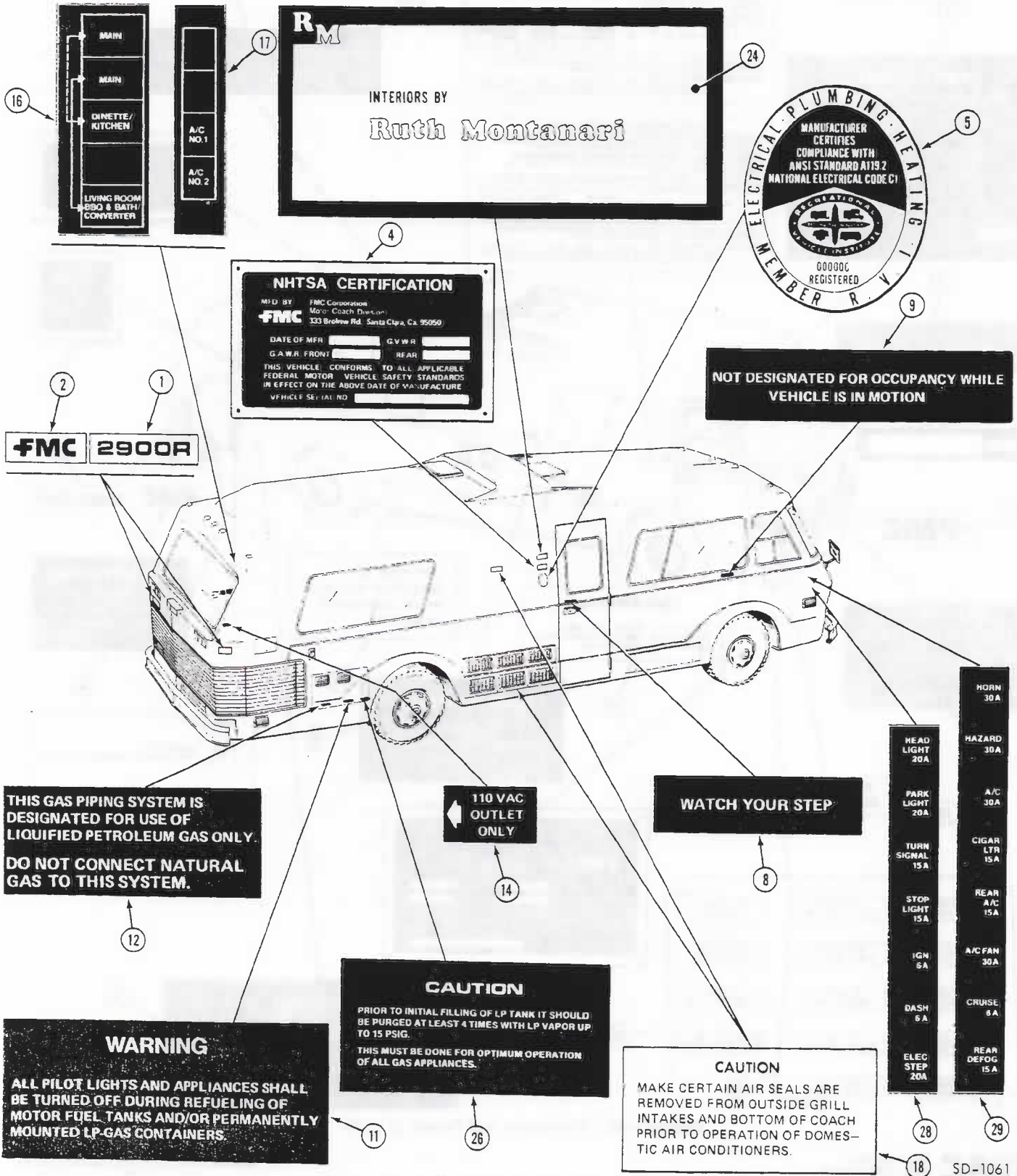


Figure 3-10. Nameplate and Decals (2 of 2)

REPAIR PARTS LIST

GROUP 3
MODEL 2900R

FIG NO.	ITEM NO.	PART NUMBER	ITEM DESCRIPTION	QTY PER UNIT
<u>NAME PLATES AND DECALS</u>				
3-10	1	5101372-01	NAME PLATE "2900R", Rear of coach exterior	3
	2	5101372-04	NAME PLATE "FMC", Rear of coach exterior	3
	3	5101372-04	NAME PLATE "FMC", Front of coach exterior	1
3-10	4	M25050	RIVET, Name plate attaching	14
		5100865	PLATE "NHTSA", Near passenger door exterior and driver step	2
		M14076	SCREW, Name plate attaching drive	2
		5101230	PLATE "RVI", Near passenger door exterior	1
3-10	6	M14076	SCREW, Name plate attaching drive	2
		5100864	PLATE "COACH SERIAL NUMBER", Front of driver interior	1
		M14076	SCREW, Serial plate drive	2
		5100872-07	DECAL, "TIRE & RIM", Behind driver seat interior	1
3-10	8	5100872-05	DECAL, "WATCH YOUR STEP", Passenger and driver door handle interior	2
		5100872-04	DECAL, "SEAT OCCUPANCY", Dinette, bath, bedroom, lounge seats-interior	4
		5100872-06	DECAL, "APU VOLTAGE CONNECTION", Rear left compartment exterior	1
		5100872-08	DECAL, "PILOT LIGHT-REFUELING", LPG compartment and fuel filler opening exterior	2
3-10	12	5100872-01	DECAL, "LPG CONNECTION", LPG compartment exterior	1
		5100872-03	DECAL, "POTABLE WATER ONLY", Water fill spout exterior	1
		5101669	DECAL, "110 VAC ONLY", Main breaker panel bedroom interior	1
		5100872-11	DECAL, "CAP SECURE", Waste tank drainage	1
3-10	17	5100872-12	DECAL, "MAIN, MAIN, DINETTE KITCHEN, SPARE, LIVING ROOM, BBQ & BATH CONVERTER", Circuit breaker box	1
		5100872-13	DECAL, "A/C NO 1, A/C NO 2", Circuit breaker box	1
		5100872-22	DECAL, "DOMESTIC A/C SEALS", On compartment door	2
		5100872-10	DECAL, "COOKING-HEATING", Gally area	1
3-10	20	5100872-14	DECAL, "FUZE PANEL", Automotive fuze box (Coach 00001 to 00645)	1
		5100872-15	DECAL, "FUZE PANEL", Automotive fuze box (Coach 00001 to 00645)	1
		5100872-16	DECAL, "FUZE PANEL", Automotive fuze box (Coach 00001 to 00645)	1
		5100872-17	DECAL, "FUZE PANEL", Automotive fuze box (Coach 00001 to 00645)	1
3-10	24	5108623	PLATE, "INTERIORS BY RUTH MONTANARI" (Coach 00873 & up)	1
		5100872-23	DECAL, "HEAT CONTROL" "OFF-ON" - REAR HEATER	1
		5100872-18	DECAL, LPG Tank Purge	1
		5100872-20	DECAL, "MAXIMUM LOAD 200 LBS" - REAR BUNKS (Coach 00646 & up)	2
3-10	28	5100872-24	LABEL, Circuit Breaker (Coach 00646 & up)	1
		5100872-25	LABEL, Circuit Breaker (Coach 00646 & up)	1
		5100872-26	LABEL, "DO NOT STORE COMBUSTIBLE" (Coach 00646 & up)	1
		5108813-01	LABEL, Engine Emission (Coach 00001 to 00956)	1
3-10	31	5108813-02	LABEL, Engine Emission (Coach 00957 & up)	1
		5106266	LABEL, "TRANSFER SWITCH UL"	1