

Group 4 Automotive Electrical

GENERAL: This group contains information on the electrical equipment. It encompasses the electrical components from the coach battery, through engine ignition system, to the wiring and instrumentation on the driver's instrument panel.

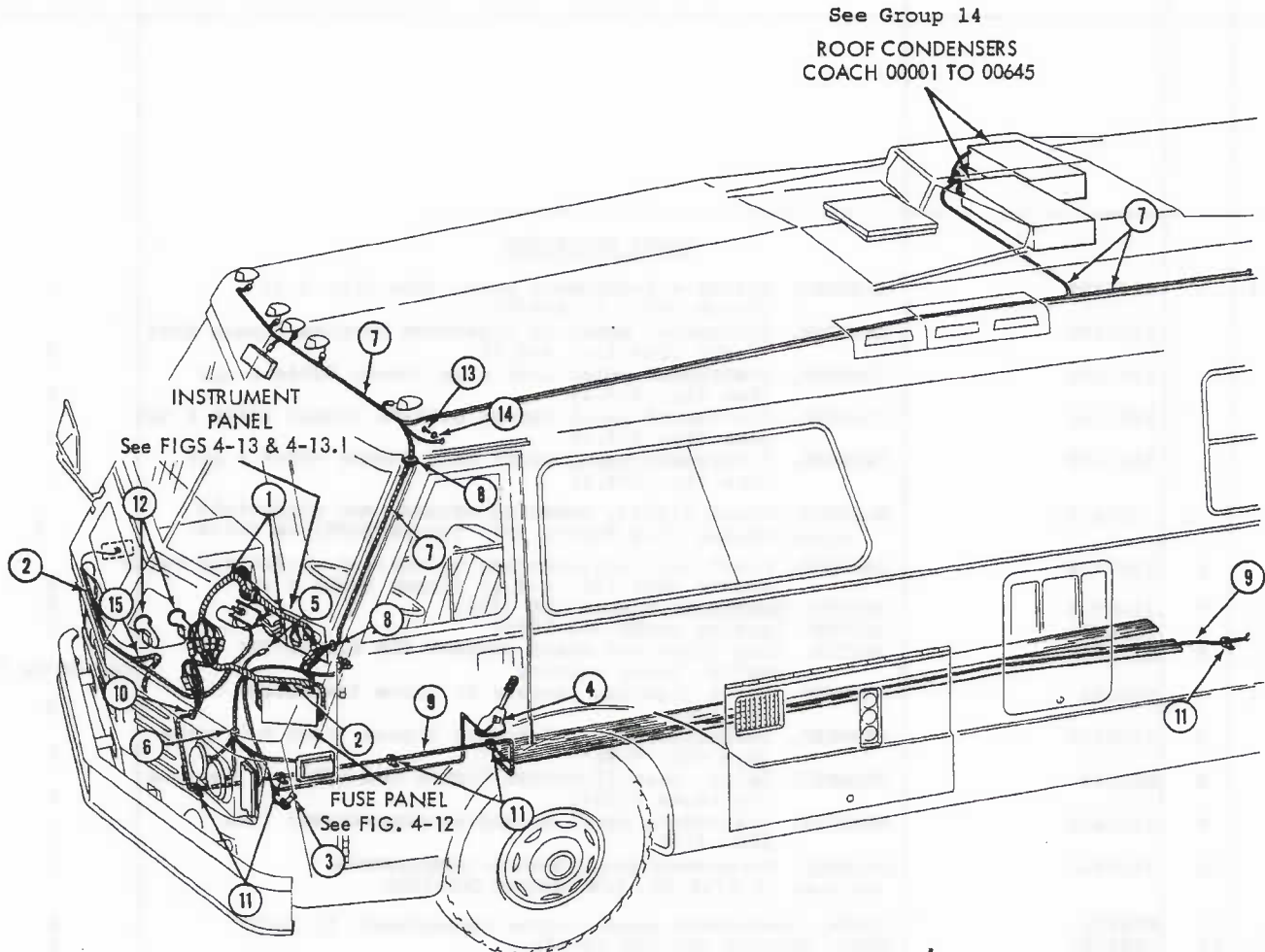
SPECIFICS: As applicable

- ...Battery
- ...Clock
- ...Engine Alternator
- ...Engine Distributor
- ...Engine Starter
- ...Engine Voltage Regulator
- ...Fuses
- ...Headlights
- ...Horn
- ...Identification Lights
- ...Ignition Wiring
- ...Instruments
- ...Instrument Sending Units
- ...Instrument Wiring
- ...Relays
- ...Spark Plugs
- ...Switches
- ...Taillights
- ...Windshield Washers (front and rear)
- ...Windshield Wipers (front and rear)
- ...Wire Connectors
- ...Wiring



REPAIR PARTS LIST

GROUP 4 Automotive Elec.
MODEL 2900 R



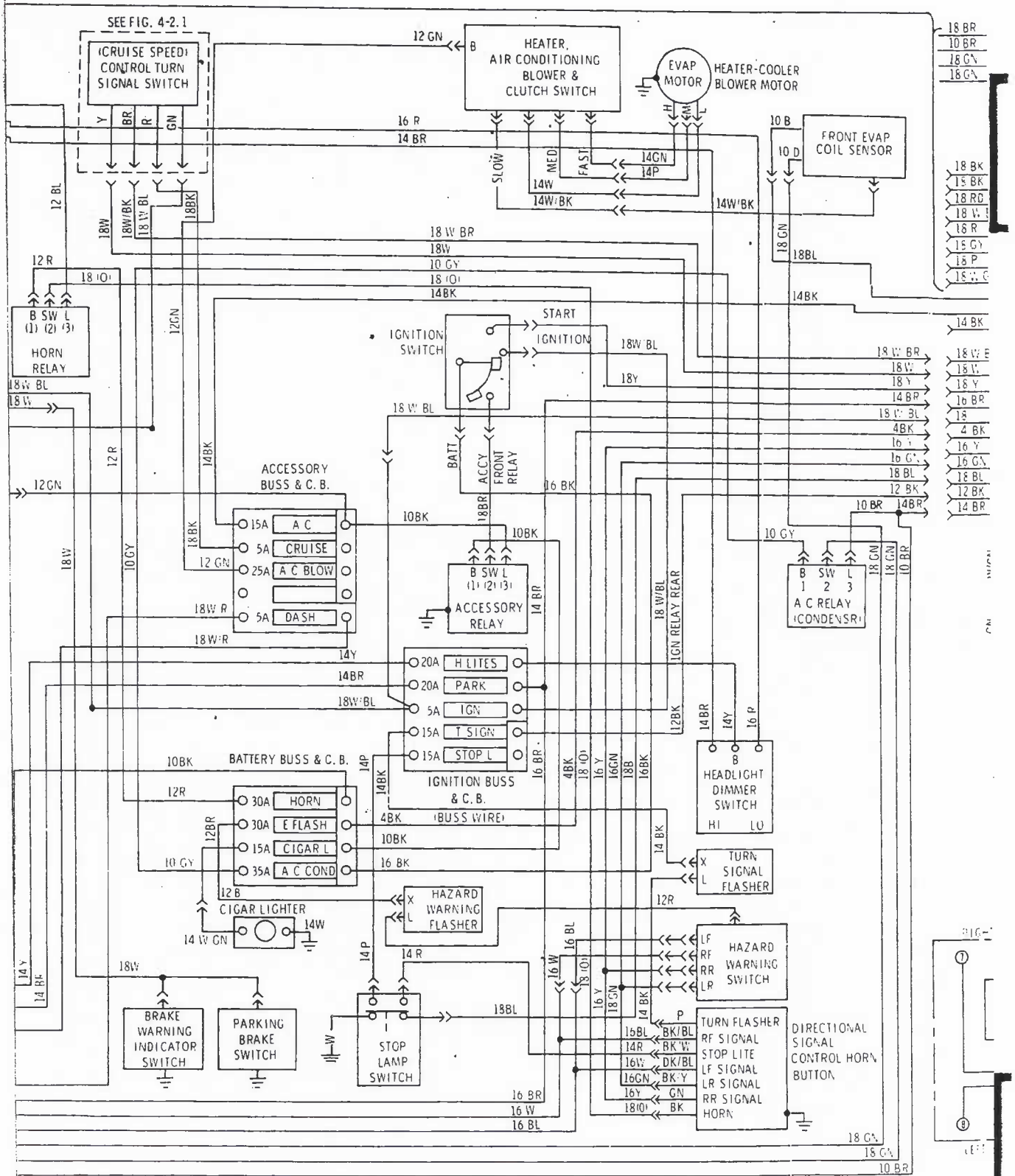
SD-1053

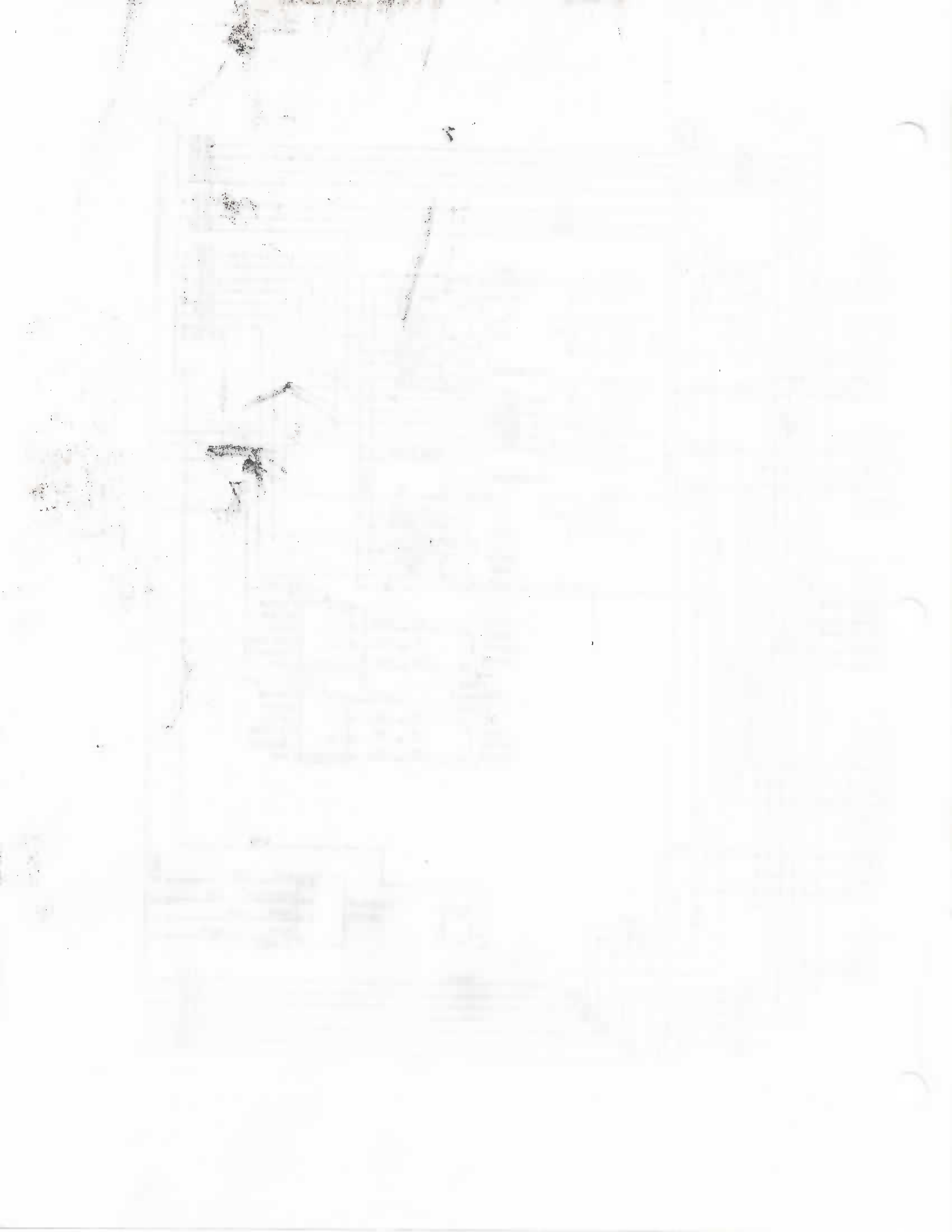
Figure 4-1. Front Automotive Wiring Harnesses

REPAIR PARTS LIST

GROUP _____
MODEL 2900R

FIG NO.	ITEM NO.	PART NUMBER	ITEM DESCRIPTION	QTY PER UNIT
			<u>FRONT HARNESSSES</u>	
4-1	1	5100464	HARNESS, Driver's instrument panel (See fig. 4-4) (Coach 00001 to 00645)	1
		5107240	HARNESS, Instrument panel to interface harness (Coach 0064 & up) (See fig. 4-4.1)	1
		5107241	HARNESS, Instrument panel-left side (Coach 00646 & up) (See fig. 4-4.2)	1
		5107242	HARNESS, Instrument panel-center section (Coach 00646 & up) (See fig. 4-4.3)	1
		5107243	HARNESS, Instrument panel-right side (Coach 00646 & up) (See fig. 4-4.4)	1
	2	5100467	HARNESS, Front lights, steering column, and windshield wiper/washer (see Figure 4-5) (coach 00001 to 00645)	1
	2	5107239	HARNESS, Front lighting, steering column, and windshield wiper washer (See fig. 4-5.1) (Coach 00646 & up)	1
	3	5100226	SWITCH, Headlight dimmer (CH 7769)	1
	4	5100581	SWITCH, Parking brake (CH 9251)	1
	5	5101058	SWITCH, Stop light and speed control (CH 911811-01) SWITCH, Brake warning	see Group 9
4-1	6	M20046	GROMMET, Front lighting harness to frame (replaces 5100490)	2
	7	5100469	HARNESS, Identification, clearance lights, roof A/C units (See fig. 4-6)	1
	8	M20046	GROMMET, Split, identification lights and A/C unit harness (replaces 5100821)	1
	9	5100465	HARNESS, Instrument panel to engine compartment (see fig. 4-7)	1
	10	5100813	GROMMET, Instrument panel/engine compartment harness (1-5/16 ID, 1/8 groove) (AI-2802)	2
	11	M22070	CLAMP, Instrument panel/engine compartment (1 inch)	4
4-1	12	5100150	HORN, Matched set (JU 46-48)	1
	13	M14216	SCREW, Harness ground to frame (3/8-24 x 1 lg)	1
	14	M17129	LOCKWASHER, Harness ground screw to frame (#10 ext tooth)	1
	15	5107683	HARNESS, Front heater/cooler (See fig. 4-5.2) (Coach 0064 & up)	1
	15	M20060	TUBING, Steering column wire	2ft.
		5100528	SPLICE, Steering column wire	2
		5100527	SPLICE, Steering column wire	9
	16	5101138	CONNECTOR, Steering column to harness (4-pin)	2
	17	5101139	PLUG, Steering column to harness (4-pin)	2
	18	5100484	CONNECTOR, Steering column to harness (3-pin)	1
	19	5100485	PLUG, Steering column to harness (3-pin)	1
	20	5100488	TERMINAL, Steering column to harness	9
	21	5100489	TERMINAL, Steering column to harness	2





REPAIR PARTS LIST

GROUP 4 Automotive Elec.
 MODEL 2900 R

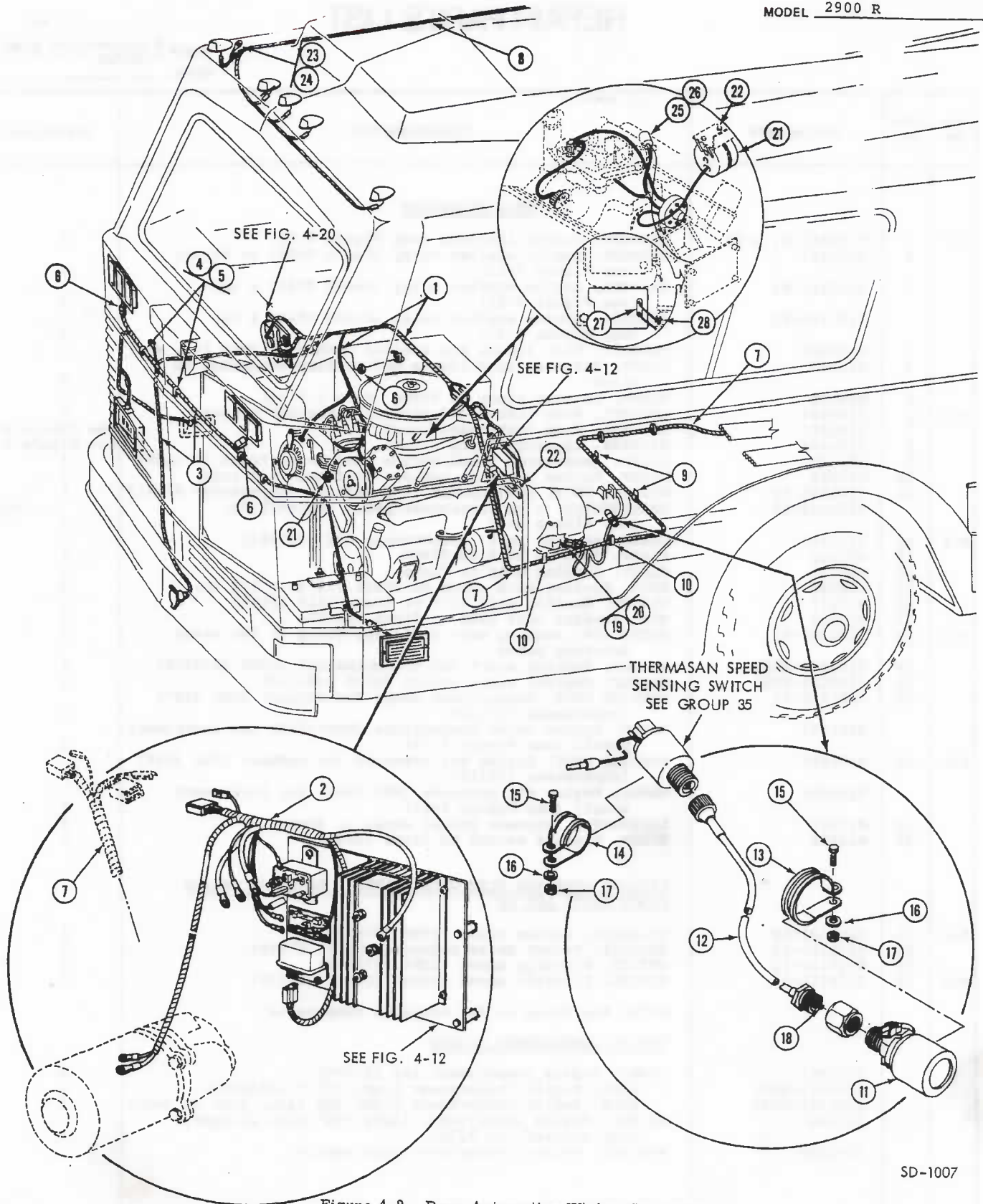


Figure 4-2. Rear Automotive Wiring Harnesses

FMC FMC Corporation
 Motor Coach Division
 333 Brokaw Road Box 664 Santa Clara California 95052

ISSUED _____
 REVISED C4, 9/76

REPAIR PARTS LIST

GROUP 4 Automotive Elec.
2900R
MODEL

FIG NO.	ITEM NO.	PART NUMBER	ITEM DESCRIPTION	QTY PER UNIT
<u>REAR HARNESSSES</u>				
4-2	1	5100466-01 &-02	HARNESS, Engine ignition (see Figure 4-8)	1
	2	5101166	HARNESS, Engine starter relay (Coach 00001 to 00249) (see Figure 4-10)	1
	2	5101166-01	HARNESS, Engine starter relay (Coach 00250 & up) (see Figure 4-11)	1
		5101166-02	HARNESS, Engine starter relay (Coach 00250 & up) (see Figure 4-11)	1
	3	5100468	HARNESS, Rear lights and trailer connector (see Fig. 4-9)	1
	4	M25043	CLAMP, Harness, rear lights and trailer connector to frame	6
4-2	5	M14015	SCREW, Harness clamp to frame (#8 x 1/2 lg)	6
	6	5100493	GROMMET, Rear lights and trailer connector harness	6
	7	5100465	HARNESS, From instrument panel	see Figure 4-1
	8	5100469	HARNESS, Identification lights	see Figure 4-1
	9	M22070	CLAMP, Instrument panel/engine harness to frame (1 inch)	8
	10	M22069	CLAMP, Engine ignition harness to frame (5/8 inch)	2
	11	5101845-02	SENDING UNIT, Speedometer (SWC 821135) (supersedes 5101101)	1
		5101845-01	SPEEDOMETER, - On instrument panel (SWC-821134) (see Figure 4-13)	1
4-2	12	5101811	CABLE, Sending unit, speedometer (AC 6477894)	1
	13	M22060	CLAMP, Sending unit to frame	1
	14	M22141	CLAMP, Sending unit to frame	1
	15	M18065	BOLT, Sending unit clamp to frame (10-32 x 1/2 lg)	2
	16	M17047	WASHER, Sending unit bolt to frame (#10 split)	2
	17	M17043	NUT, Sending unit bolt to frame (10-32)	2
4-2	18	5101845-03	DRIVE TIP, Sending unit NOTE: See Group 35 for waste destruct parts.	1
	19	5100011-R150	SWITCH, Neutral start (on transmission) (CCMI 2932820)	1
	20	5100011-R151	WASHER, Neutral start switch (CCMI 2408143)	1
	21	5101898-01	SENDING UNIT, Temperature gauge (on engine) (VDO 3257) (supersedes 5101108)	1
		5101897	GAUGE, Engine water temperature (VDO-3112) (on instrument panel) (see Figure 4-13)	1
	4-2	22	5101899	SENDING UNIT, Engine oil pressure (on engine) (VDO 3625) (supersedes 5101107)
		5101894	GAUGE, Engine oil pressure (VDO-3541) (on instrument panel) (see Figure 4-13)	1
	23	M17007	LOCKWASHER, Harness ground screw to frame	1
	24	M14208	SCREW, Harness ground to frame (3/8-16)	1
<u>EXHAUST EMISSION ELECTRICAL PARTS - GASOLINE ENGINE COACH 00957 AND UP</u>				
4-2	25	5108120-18	SOLENOID, Vacuum delay (CCMI 3874027)	1
	26	5108120-19	BRACKET, Vacuum delay solenoid (CCMI 3870484)	1
	27	5108120-21	SWITCH, Electric speed (CCMI 3874129)	1
	4-2	28	5108120-20	WIRING, Electric speed switch (CCMI 3738577)
NOTE: See Group 11 for emission components				
<u>ENGINE COMPARTMENT LIGHTS</u>				
		5106962	LIGHT, Engine compartment (DI 12-390)	2
		5106962-R001	LENS, Engine compartment light (DI 77-231W231)	1
		5100387-R002	BULB, Engine compartment light (GE 1141, 21CP 12 volt)	1
		5106963	SWITCH, Engine compartment light "ON" with plunger, door mounted (CH 9270)	1
		5106289	BRACKET, Engine compartment door switch	1

REPAIR PARTS LIST

GROUP 4 Automotive Elec.
MODEL 2900R

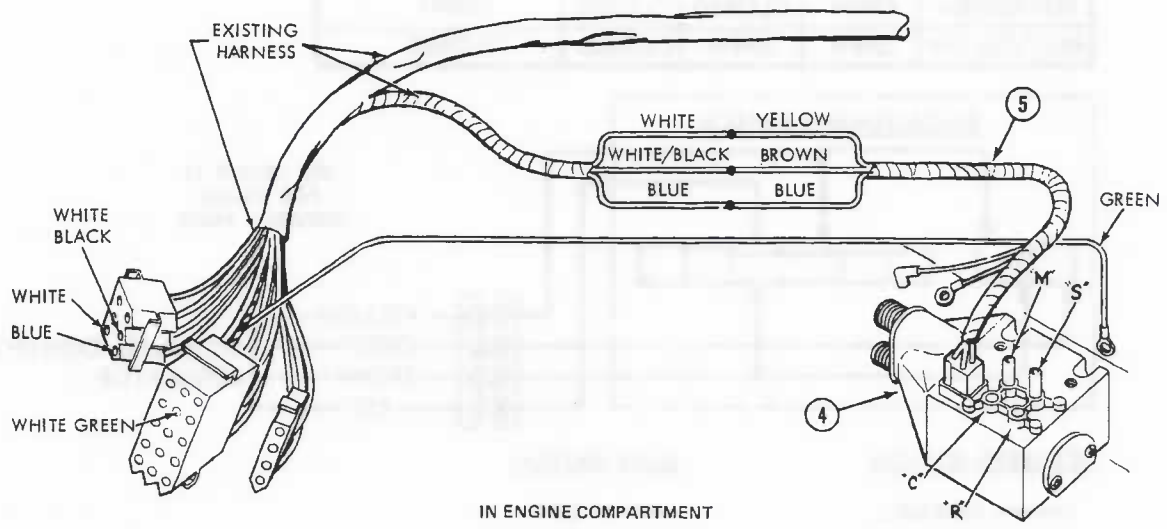
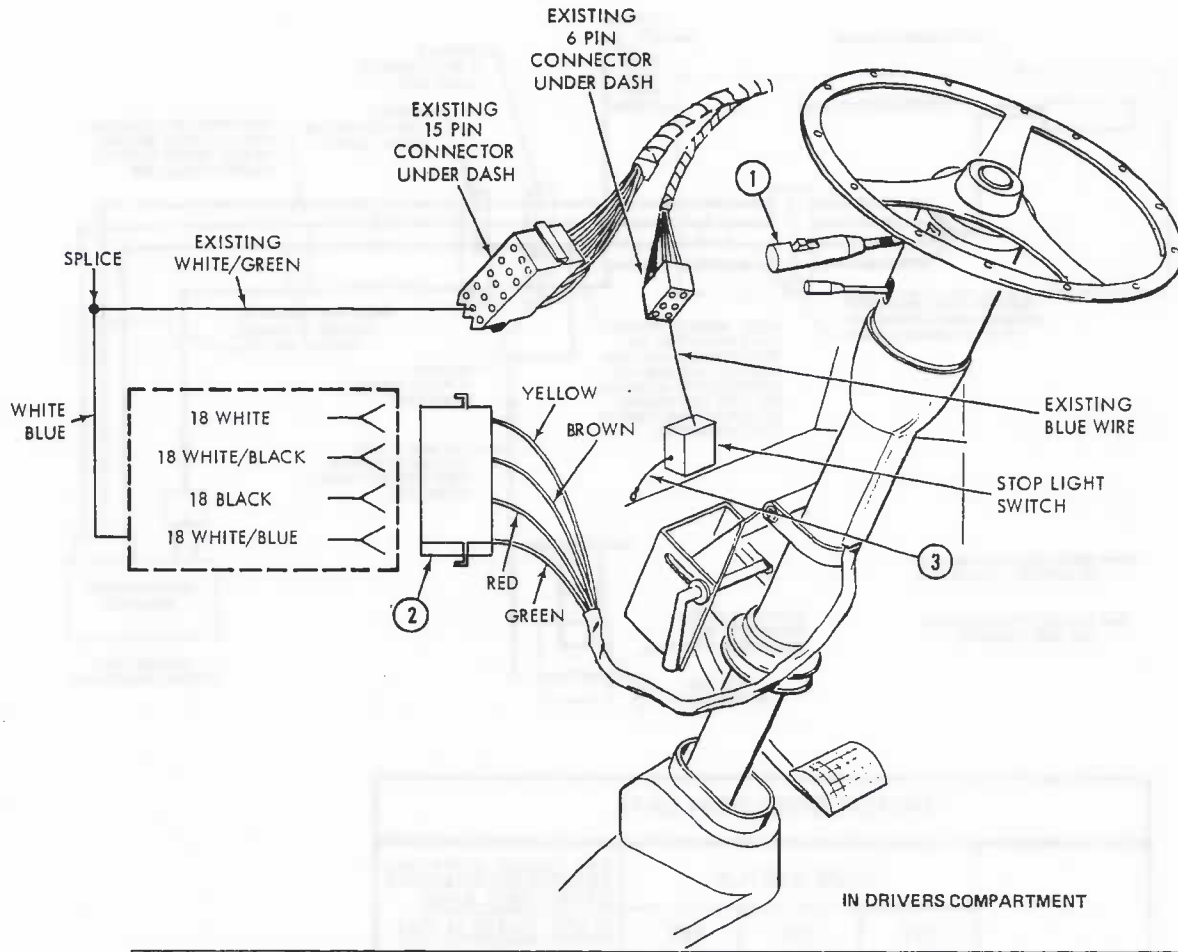
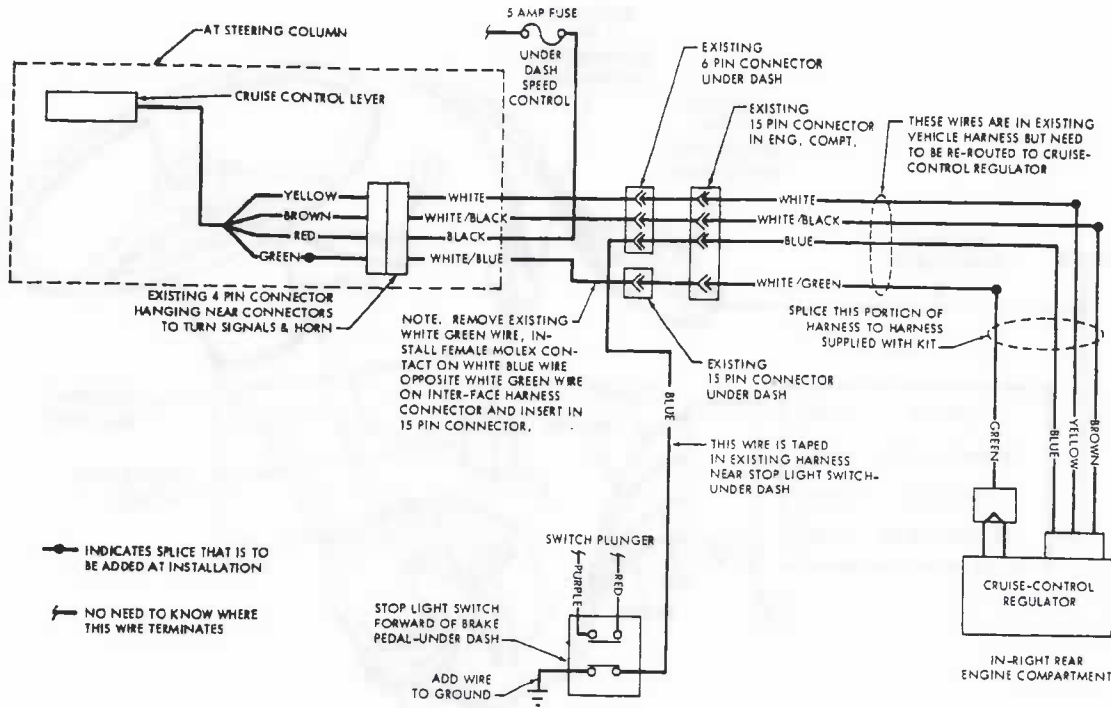


Figure 4-2.1 Cruise Control Wiring and Switch (1 of 2)

SD-1030

REPAIR PARTS LIST

GROUP 4 Automotive Elec.
MODEL 2900R



SWITCH OPERATION DATA				
	SLIDE SWITCH			SET SPEED BUTTON DEPRESSED AND SLIDE SWITCH ON
	OFF	ON	RES.	
RED/BROWN	OPEN	CLOSED	CLOSED	CLOSED
RED/GREEN	OPEN	CLOSED	CLOSED	OPEN
RED/YELLOW	OPEN	OPEN	CLOSED	CLOSED

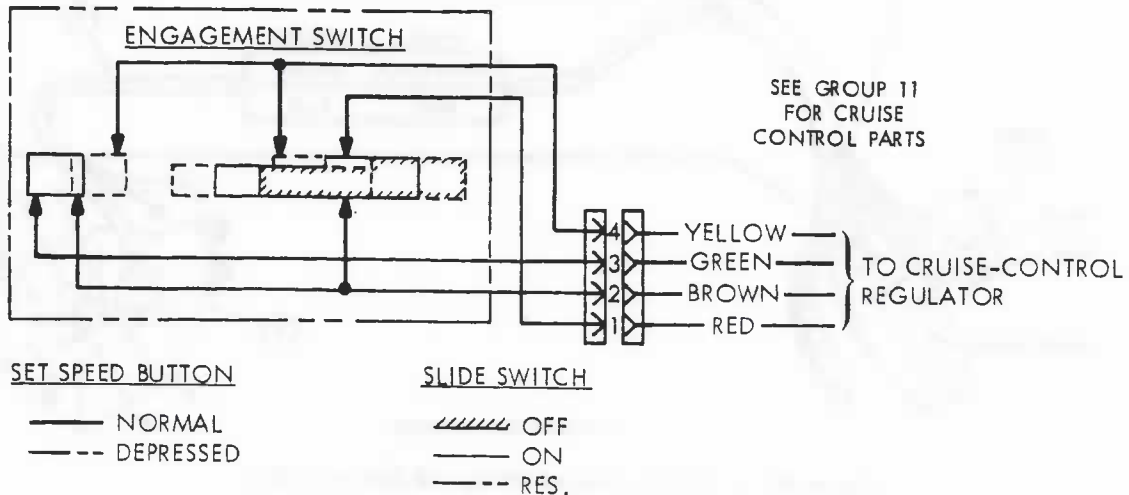


Figure 4-2.1. Cruise Control Wiring and Switch (2 of 2)

SD-1017

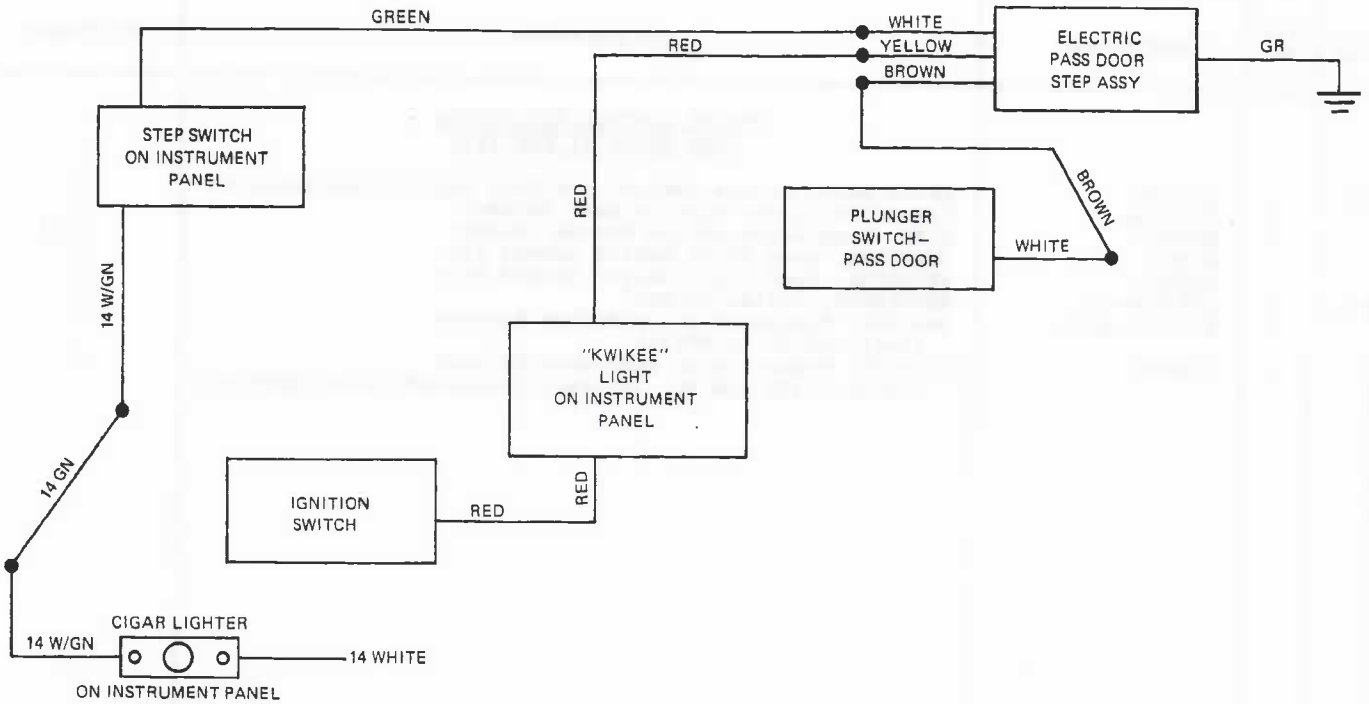
REPAIR PARTS LIST

GROUP 4
MODEL _____

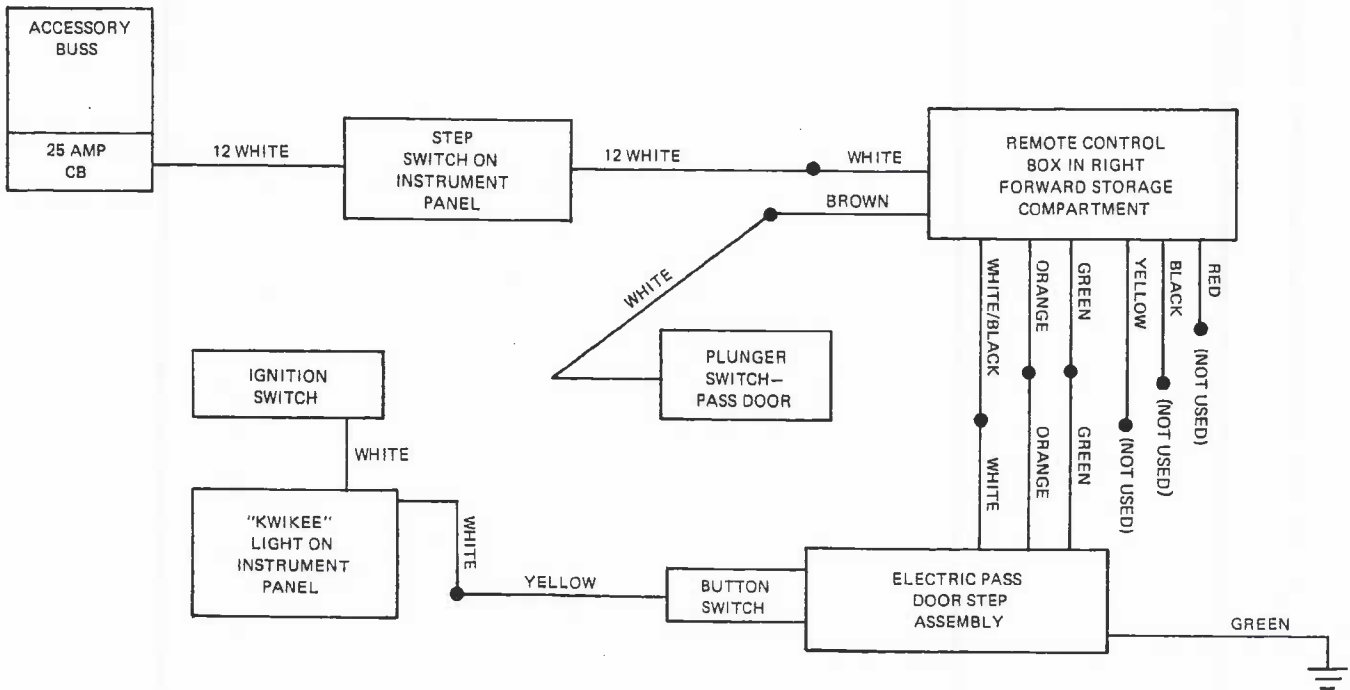
FIG NO.	ITEM NO.	PART NUMBER	ITEM DESCRIPTION	QTY PER UNIT
			<u>CRUISE CONTROL ELECTRICAL</u> (See Group 11 For Kit)	
4-2.1	1	5106949	LEVER ASSY, Cruise Control and Turn Signal (See Group 7)	1
	2	5101138	CONNECTOR, Lever Wire to Dash Harness	1
	3	M16010	WIRE, Stop Light Switch Ground (White)	2 ft
4-2.1		M15031	TERMINAL, Stop Light Switch Ground Wire	1
		M15019	TERMINAL, Stop Light Switch Ground Wire	1
	4	5101979-01	REGULATOR, Cruise Control	1
	5	5101979-R021	HARNESS, Regulator to Interface Harness (Coach 00001 to 00531)	1
	5	5108896	HARNESS, Regulator to Interface Harness (Coach 00532 and Up) (Factory Installed Cruise Control)	1

REPAIR PARTS LIST

GROUP 4 Automotive Elec.
MODEL 2900R



COACHES 00528 TO 00983 WITH INTEGRAL CONTROLS



COACH 00984 AND UP WITH REMOTE CONTROL IN STORAGE COMPARTMENT

Figure 4-2. 3.1. Electric Step Wiring Diagram

REPAIR PARTS LIST

GROUP 4 Automotive Elec.
MODEL 2900R

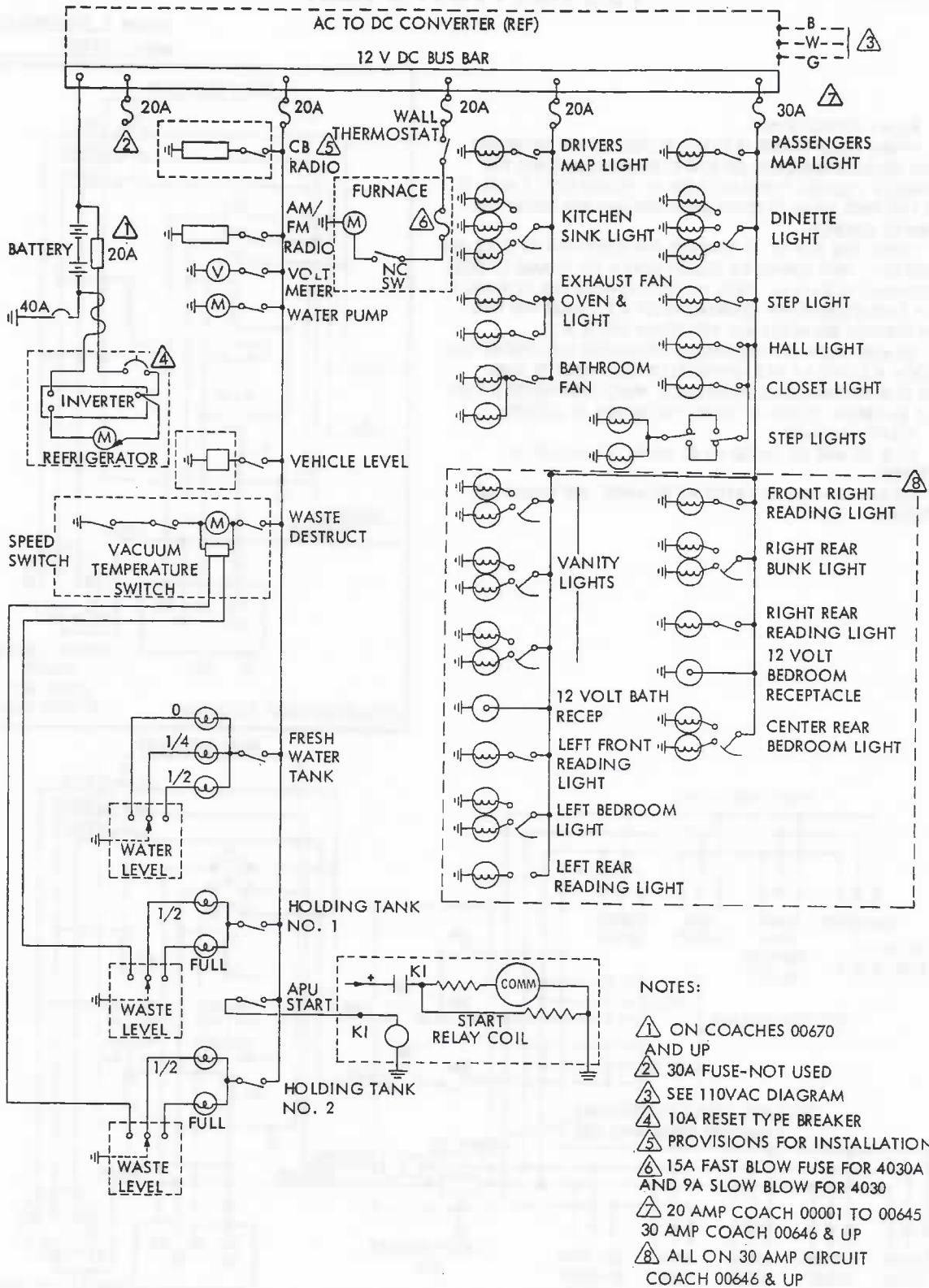


Figure 4-2. 4. 12 Volt Domestic Wiring
(See Group 39 for Parts)

REPAIR PARTS LIST

GROUP 4 Automotive Elec.
MODEL 2900R

RELAY OPERATION:
WHEN PLUG 14-50P IS CONNECTED TO AN EXTERNAL POWER SOURCE THE COIL OF K-4 IS ENERGIZED THRU THE NORMALLY CLOSED CONTACTS OF K2 (CONTACTS 8 AND 9) THUS THE TWO MAIN CIRCUIT BREAKERS ARE FED FROM THE EXTERNAL SOURCE.

WHEN THE A. P. U. IS STARTED THE COILS OF K1 & K2 ARE ENERGIZED, THIS OPENS K2 (CONTACTS 8 TO 9) AND CLOSES K1 (CONTACTS 3 TO 6). THIS IN TURN OPENS THE CONTACTS OF K4 AND CLOSES THE CONTACTS OF K3. THUS THE TWO MAIN CIRCUIT BREAKERS ARE FED FROM THE A. P. U.

IN ADDITION TO THE ABOVE DESCRIBED ELECTRICAL INTERLOCK K3 AND K4 ARE PHYSICALLY CONNECTED AND THERE IS A MECHANICAL INTERLOCK WHICH PREVENTS EITHER K3 OR K4 FROM CLOSING WHEN THE OTHER IS CLOSED.

RELAY RATINGS:

K1 & K2 ARE UL RATED AT 25 AMPS 120 VOLTS AC
UL #E31481

K3 AND K4 ARE UL RATED AT 50 AMPS 120 VOLTS AC
UL #E5750C

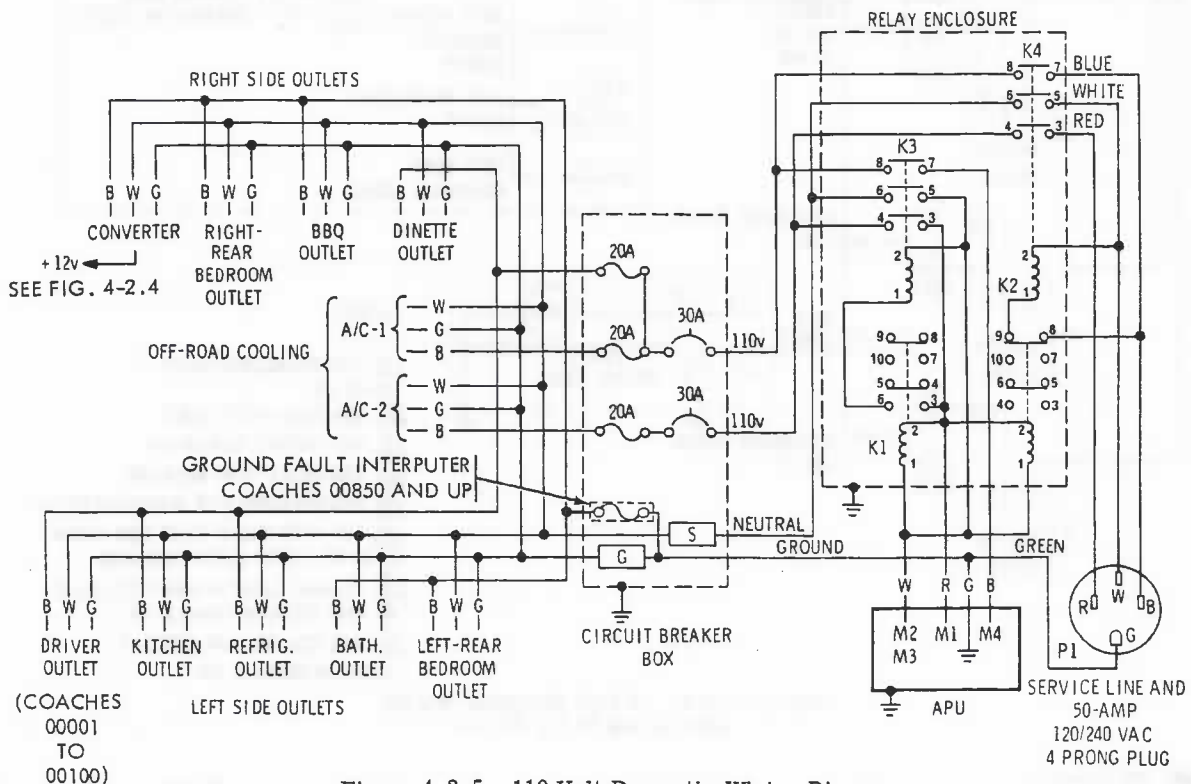
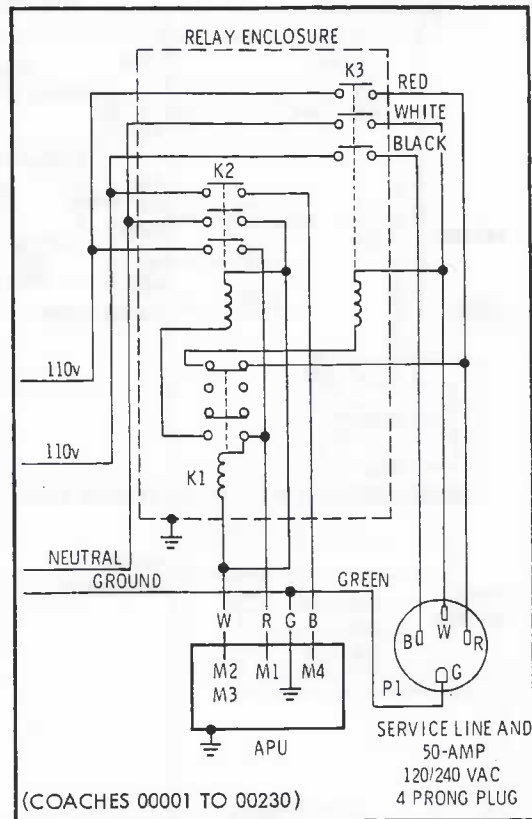


Figure 4-2. 5. 110 Volt Domestic Wiring Diagram
(See Group 39 for Parts)

REPAIR PARTS LIST

GROUP 4 Automotive Elec.
MODEL 2900R

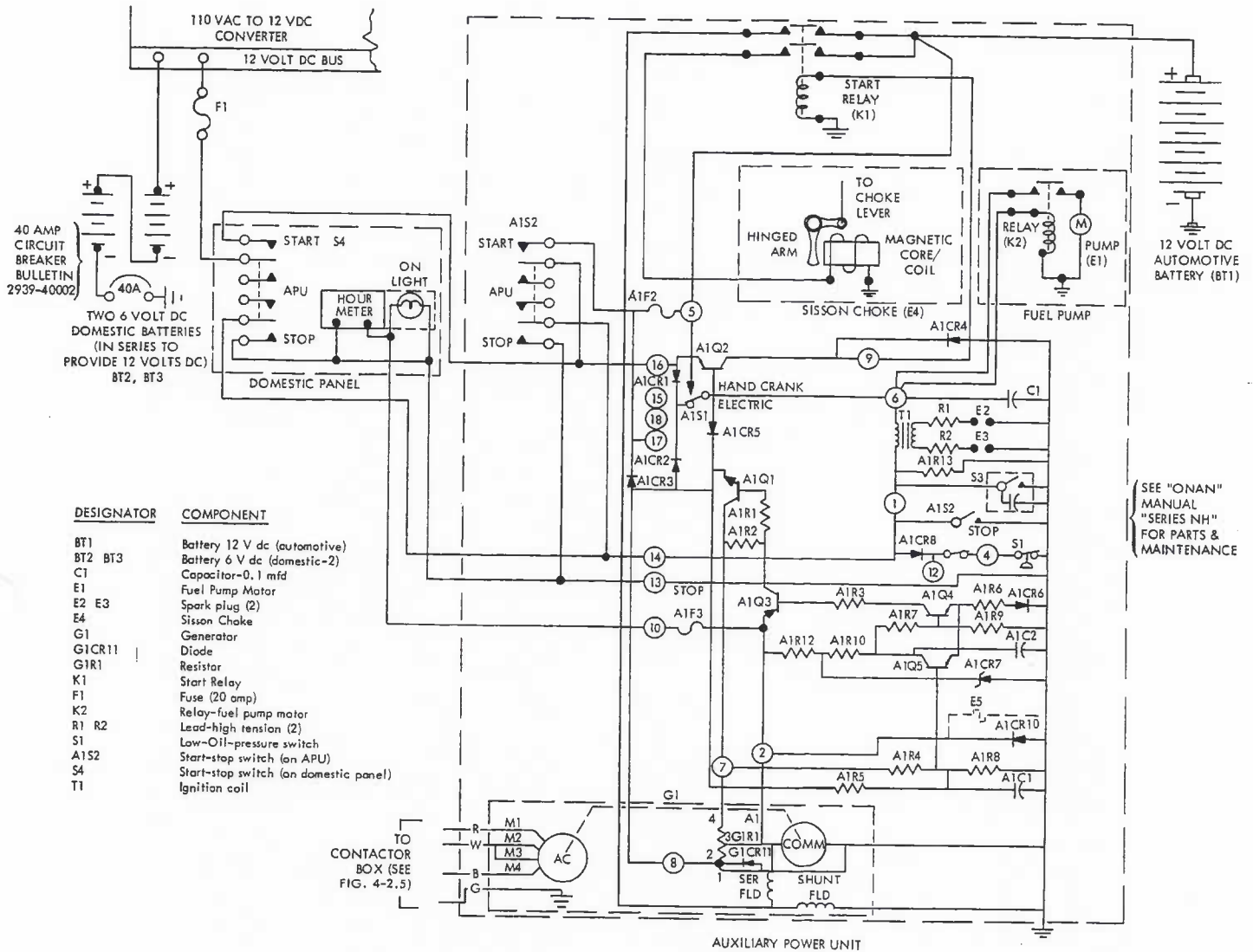
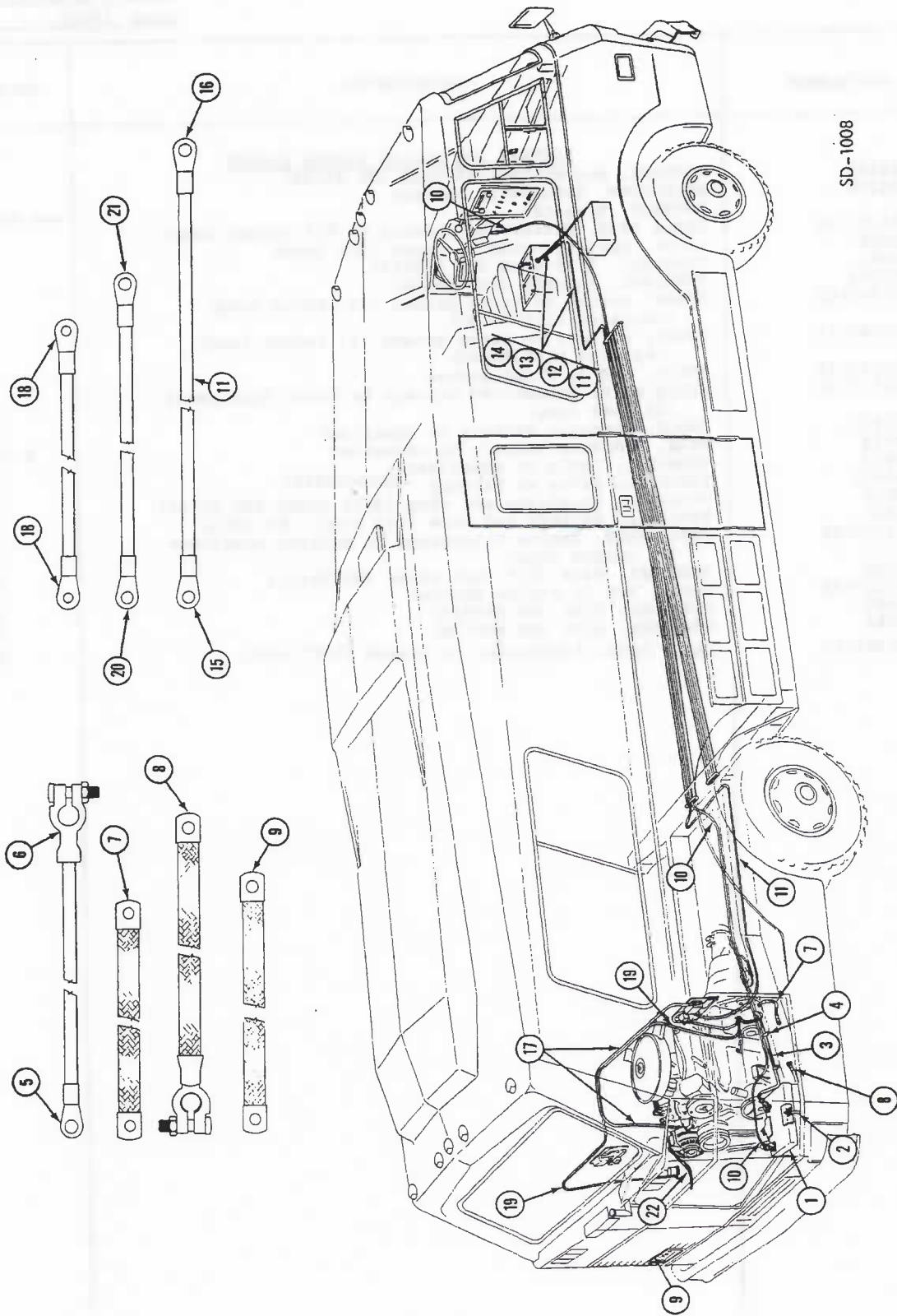


Figure 4-2. 6. APU and Controls Schematic

REPAIR PARTS LIST

GROUP 4 Automotive Elec.

MODEL 2900 R



SD-1008

Figure 4-3. Battery and Engine Compartment Cables

REPAIR PARTS LIST

GROUP 4 Automotive Elec.
MODEL 2900R

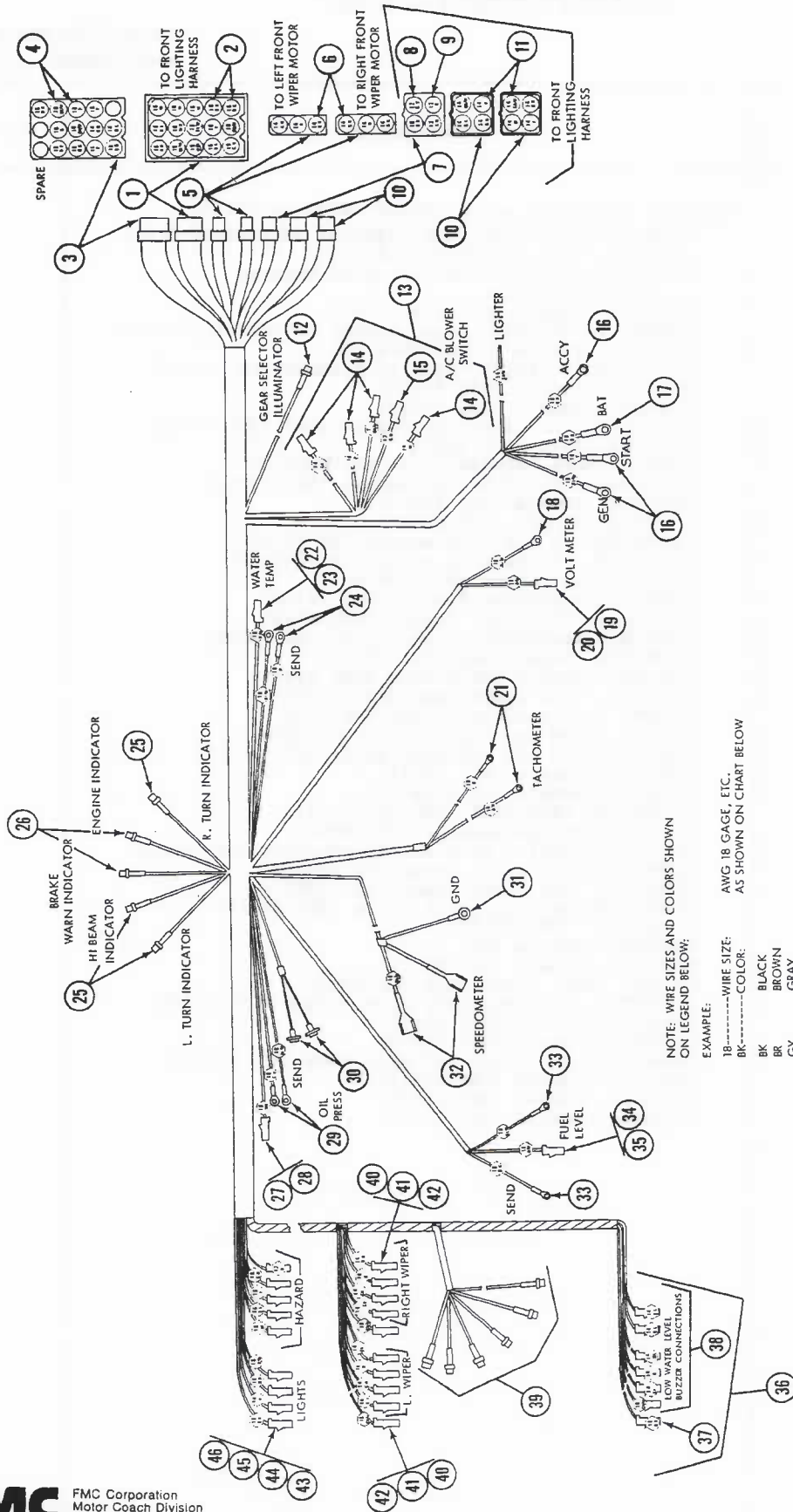
FIG NO.	ITEM NO.	PART NUMBER	ITEM DESCRIPTION	QTY PER UNIT
4-3	1	5101109	<u>BATTERY AND ENGINE GROUND CABLES</u>	
	2	5101338	BATTERY, Automotive, 12 volt (PR 2719X)	1
			HOLD-DOWN, Automotive battery	1
	3	5101357-01	BATTERY, Domestic	1
	4	M22069	CABLE ASSY, Battery to starter 51 1/2 inches long)	see Group 39
	5	M15041	CLAMP, Battery cable to frame (5/8 inch)	1
4-3	6	5100501	TERMINAL, 5/16 stud (HO R10516)	3
	7	5101782-03	TERMINAL, Battery (DEL 90608)	1
	8	5101782-01	STRAP, Engine to frame ground (12 inches long) (replaces 5101357-02)	1
	9	5101782-04	STRAP, Battery to frame ground (17 inches long) (replaces 5101357-03)	1
	10	5101357-04	STRAP, APU to frame ground	1
	11	5101425	CABLE ASSY, Automotive battery to front fuse panel (35 feet long)	1
4-3	12	M16058	CABLE, Domestic battery to equalizer	1
	13	M15023	WIRE, Domestic battery to converter	8 feet
	14	5100501	TERMINAL, Cable at equalizer (DEL-90608)	1
	15	M15045	TERMINAL, Cable at battery (DEL-90608)	1
	16	M15044	TERMINAL, Equalizer end wire (5/16 stud) (HO R5102)	1
	17	5101357-05	TERMINAL, Battery end wire (#10 stud) (HO R5100)	1
4-3	18	M15023	CABLE ASSY, Engine alternator to battery equalizer (83 inches long)	1
	19	5101357-06	TERMINAL, Wire (1/4 inch stud) (HO R5101)	1
	20	M15043	CABLE, APU to engine starter	1
	21	M15042	TERMINAL, Wire (HO R80028)	1
	22	5101357-10	TERMINAL, Wire (HO R8003B)	1
			CABLE ASSY, Alternator to ground (10 1/2" long)	1

REPAIR PARTS LIST

GROUP 4 Automotive Elec.

MODEL 2900R

SD-1019



NOTE: WIRE SIZES AND COLORS SHOWN ON LEGEND BELOW:

EXAMPLE: 18-----WIRE SIZE: AVG 18 GAGE, ETC. AS SHOWN ON CHART BELOW

18-----	WIRE SIZE:	AVG 18 GAGE, ETC.
BK-----	COLOR:	AS SHOWN ON CHART BELOW
BK	BLACK	
BR	BROWN	
GY	GRAY	
W	WHITE	
R	RED	
O	ORANGE	
Y	YELLOW	
GN	GREEN	
BL	BLUE	
P	PURPLE	
BK/W	BLACK/WHITE STRIPES	
BR/W	BROWN/WHITE STRIPES	
GN/W	GREEN/WHITE STRIPES	
GY/BR	GRAY/BROWN STRIPES	
BK/GY	BROWN/GRAY STRIPES	

Figure 4-4. Harness, Drivers Instrument Panel

REPAIR PARTS LIST

GROUP 4 Automotive Elec.
MODEL 2900R

FIG NO.	ITEM NO.	PART NUMBER	ITEM DESCRIPTION	QTY PER UNIT	
4-4		5100464	HARNES (Component parts) (Coach 00001 to 00645)		
	1	5100486	CONNECTOR, To front light harness (MO-P03-09-2151)	1	
	2	5100489	TERMINAL, Male (MO-02-09-2103)	15	
	3	5100487	CONNECTOR, To inst. panel/engine harness (MO-R03-09-1151)	1	
		4	5100488	TERMINAL, Female (MO-02-09-1103)	12
		5	5100485	CONNECTOR, To front wiper motors (MO-R1-03-09-1032)	2
	4-4	6	5100488	TERMINAL, Female (MO-02-09-1103)	6
		7	5101120	CONNECTOR, To front lighting harness (DEL 97048)	1
		8	5101128	TERMINAL, Female (DEL 92573)	2
		9	5101129	TERMINAL, Female (DEL 92574)	2
		10	5101121	CONNECTOR, To front lighting harness (DEL 97049)	2
		11	5101130	TERMINAL, Male (DEL 92987)	8
	4-4	12	5101051	SOCKET, Range selector bulb (AC-5655149)	1
		13	5101126	CONNECTOR, To A/C blower switch (DEL 97253)	5
		14	5101128	TERMINAL, Female (DEL 92573)	4
		15	5101129	TERMINAL, Female (DEL 92574)	1
		16	M15015	CONNECTOR, To ignition switch (HO R1891S)	3
		17	M15019	CONNECTOR, To ignition switch (HO R1903S)	1
	4-4	18	M15016	TERMINAL, Voltmeter (HO R1890S)	1
		19	5101205	TERMINAL, Voltmeter female (DEL 92572)	1
		20	5101126	CONNECTOR, Voltmeter female (DEL 97253)	1
		21	M15015	TERMINAL, Tachometer distributor (HO 1885S)	2
		22	5101126	CONNECTOR, Water temp (DEL 97253)	1
		23	5101205	TERMINAL, Female water temp (DEL 92572)	1
	4-4	24	M15016	TERMINAL, Stud water temp (HO R1890S)	2
		25	5100227	SOCKET, Turn indicator bulb (CH 2505)	3
		26	5101118	SOCKET, Brake and engine bulb (CH 2506)	2
		27	5101126	CONNECTOR, To oil pressure gauge (DEL 97253)	1
		28	5101205	TERMINAL, Female (DEL 92572)	1
		29	M15015	TERMINAL, Female (HO R1890S)	2
	4-4	30	5101845-06	SOCKET AND LEAD ASSY (SWC 822588-1)	2
		31	M15017	TERMINAL, To speedometer (HO 1885S)	1
		32	M15031	TERMINAL, Female, slip-on, speedometer (HO 509121)	2
		33	M15016	TERMINAL, Fuel level gauge (HO R1890S)	2
		34	5101205	TERMINAL, Fuel level gauge (DEL 92572)	1
		35	5101126	CONNECTOR, To fuel level gauge (DEL 97253)	1
	4-4	36	5101126	CONNECTOR, (DEL 97253)	7
		37	5101205	TERMINAL, Female (DEL 92572)	1
		38	5101128	TERMINAL, Female (DEL 92573)	6
		39	5100227	SOCKET, Inst. panel bulb (CH 2505)	6
		40	5101126	CONNECTOR, To windshield wiper motor (DEL 97253)	10
		41	5101205	TERMINAL, Female (DEL 92572)	2
	4-4	42	5101128	TERMINAL, Female (DEL 92673)	8
		43	5101126	CONNECTOR, To hazard and high beam (DEL 97253)	9
		44	5101205	TERMINAL, Female (DEL 92572)	1
		45	5101128	TERMINAL, Female (DEL 92573)	6
	46	5101129	TERMINAL, Female (DEL 92574)	1	

REPAIR PARTS LIST

GROUP 4

MODEL _____

FIG NO.	ITEM NO.	PART NUMBER	ITEM DESCRIPTION	QTY PER UNIT
4-4.1	1	5107240	HARNESS, Instrument panel main (coach 00646 and up)	1
		5101126	CONNECTOR, To headlight and hazard switches, low level buzzer, and front lighting harness (DEL 97253)	5
4-4.1	2	5101120	CONNECTOR, To front lighting harness (DEL 97048)	1
		5101121	CONNECTOR, To front lighting harness (DEL 97049)	1
4-4.1	3	5101205	TERMINAL, To front defrost (DEL 92572)	2
		5101128	TERMINAL, To low level buzzer (DEL 92573)	2
4-4.1	4	5101129	TERMINAL, To A/C switch (DEL 92574)	7
		5101130	TERMINAL, To front lighting harness (DEL 92987)	4
4-4.1	5	5100488	TERMINAL, To windshield wiper motor and interface harness (MO 02-09-1101)	18
		5100498	TERMINAL, To front lighting harness (MO 02-09-2101)	15
4-4.1	6	M-15277	TERMINAL, To instrument panel harness	35
		M-15278	TERMINAL, To left and right instrument panels	7
4-4.1	7	5100485	CONNECTOR, To windshield wiper motor (MO 03-09-1031-1396R)	2
		5100487	CONNECTOR, To interface harness (MO 03-09-1151-1375R)	1
4-4.1	8	5100486	CONNECTOR, To front lighting harness (MO 03-09-2151-1375P)	1
		M-15268	CONNECTOR, To right and center instrument panels	2
4-4.1	9	M-15270	CONNECTOR, To left instrument panel	1
		5101051	SOCKET, Transmission shift quadrant light (AC 5655149)	1
4-4.1	10	M-15020	TERMINAL, Ring type to ground	1
		5100566	CONNECTOR, To front defog (MO R-03-09-1022)	1

REPAIR PARTS LIST

GROUP 4

MODEL _____

FIG NO.	ITEM NO.	PART NUMBER	ITEM DESCRIPTION	QTY PER UNIT
4-4.2	1	5107241 M15271	HARNESS, Instrument panel (left side) (coach 00646 & up) CONNECTOR, To instrument panel main harness (By-SMS24P1)	1
	2	M15275	TERMINAL, Male 16-18 AWG (By-SM16M1TK6)	11
	3	M15276	TERMINAL, Male 14 AWG (By-SM14M1TK6)	11
	4	5101127	CONNECTOR, Female (DEL-94528)	2
4-4.2	5	5101131	CONNECTOR, Male (DEL-95027)	2
	6	5101126	CONNECTOR, Single pin male (DEL-97253)	23
	7	5101128	CONTACT, 14-16AWG (DEL-92573)	12
	8	5101129	CONTACT, 12AWG (DEL-92574)	2
	9	5101205	CONTACT, 18-20AWG (DEL-92572)	9
	10	M15016	TERMINAL, Ground (HO-R1890S)	1
4-4.2	11	5100227	SOCKET, Panel light	2

REPAIR PARTS LIST

GROUP 4
MODEL _____

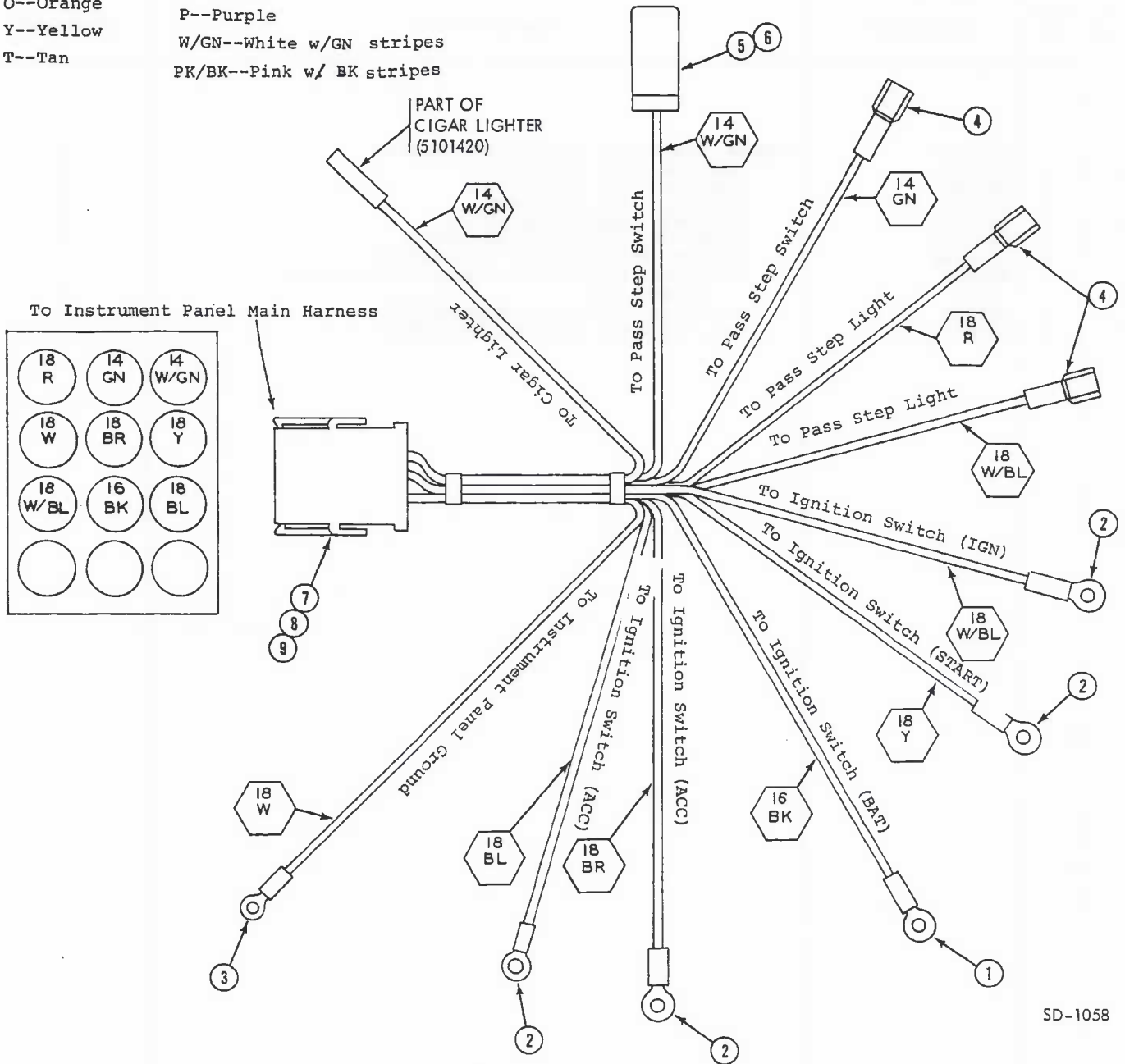
FIG NO.	ITEM NO.	PART NUMBER	ITEM DESCRIPTION	QTY PER UNIT
4-4.3	1	5107242	HARNESS, Instrument panel-center section	1
	2	M15269	CONNECTOR, To instrument panel main (By-SMS12P1)	1
4-4.3	3	M15275	CONTACT, Connector (By-SM16M1TK6)	12
	4	M15051	TERMINAL, Push-on spade (HO-S08152)	4
4-4.3	5	5101845-06	SOCKET, Light (SW-822588-1)	2
	6	M15031	TERMINAL, Push-on spade (HO-S09121)	18
	7	M15015	TERMINAL, #18 AWG ring (HO-R1891S)	8
			CONNECTOR, High beam	1

REPAIR PARTS LIST

GROUP 4 Automotive Elec.
MODEL 2900 R

COLOR CODE

- BK--Black
- O--Orange
- Y--Yellow
- T--Tan
- BR--Brown
- P--Purple
- W/GN--White w/GN stripes
- PK/BK--Pink w/ BK stripes



SD-1058

Figure 4-4.4. Harness, Instrument Panel Right Side (Coach 00646 and Up).

REPAIR PARTS LIST

GROUP 4
MODEL _____

FIG NO.	ITEM NO.	PART NUMBER	ITEM DESCRIPTION	QTY PER UNIT
		5107243	HARNESS, Instrument panel-right section	1
4-4.4	1	M15019	TERMINAL, Ring (HO-R1908S)	1
	2	M15015	TERMINAL, Ring (HO-R1891S)	4
	3	M15016	TERMINAL, Ring (HO-1890S)	1
4-4.4	4	M15031	TERMINAL, Push-on (HO-R09121)	3
	5	5101126	CONNECTOR, Single pin (DEL-97253)	1
	6	5101128	CONTACT, Pin connector (DEL-92553)	1
	7	M15269	CONNECTOR, To instrument panel main harness (By-SMS12P1)	1
	8	M15275	PIN, Connector male (By-SM16M1TK6)	6
4-4.4	9	M15276	PIN, Connector male (By-SM14M1TK6)	2

REPAIR PARTS LIST

GROUP 4 Automotive Elec.
MODEL 2900 R

NOTE: WIRE SIZES AND COLORS SHOWN ON LEGEND BELOW:

EXAMPLE:

----- WIRE SIZE: AWG 18 GAGE, ETC.
----- COLOR: AS SHOWN ON CHART BELOW

BK	BLACK
BR	BROWN
GY	GRAY
W	WHITE
R	RED
O	ORANGE
Y	YELLOW
GN	GREEN
BL	BLUE
P	PURPLE
BK/W	BLACK/WHITE STRIPES
BR/W	BROWN/WHITE STRIPES
GN/W	GREEN/WHITE STRIPES
GY/BR	GRAY/BROWN STRIPES
BR/GY	BROWN/GRAY STRIPES

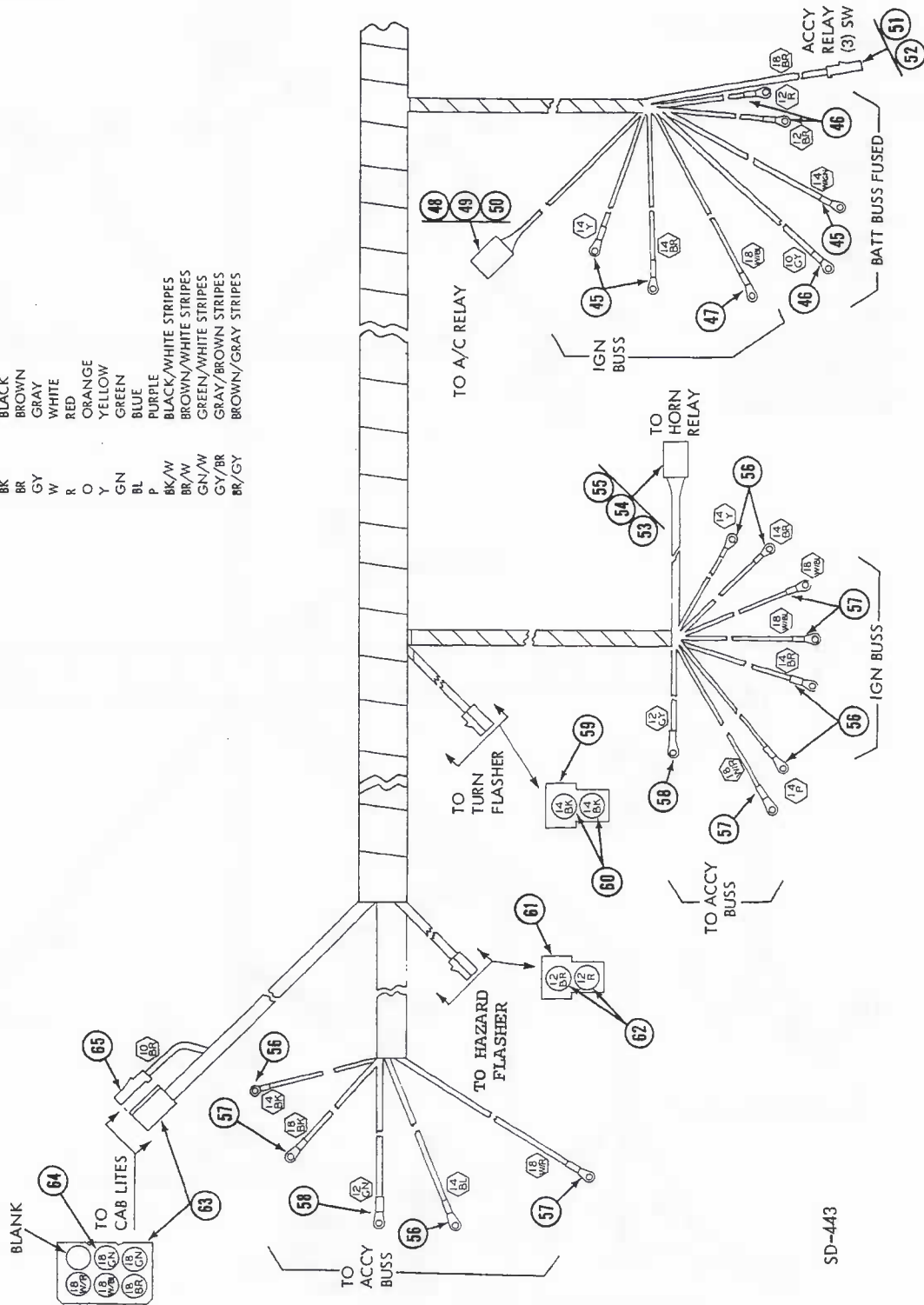


Figure 4-5. Harness, Front Lights - Steering Column
(Sheet 1 of 3) (Coach 00001 to 00645)

SD-443

REPAIR PARTS LIST

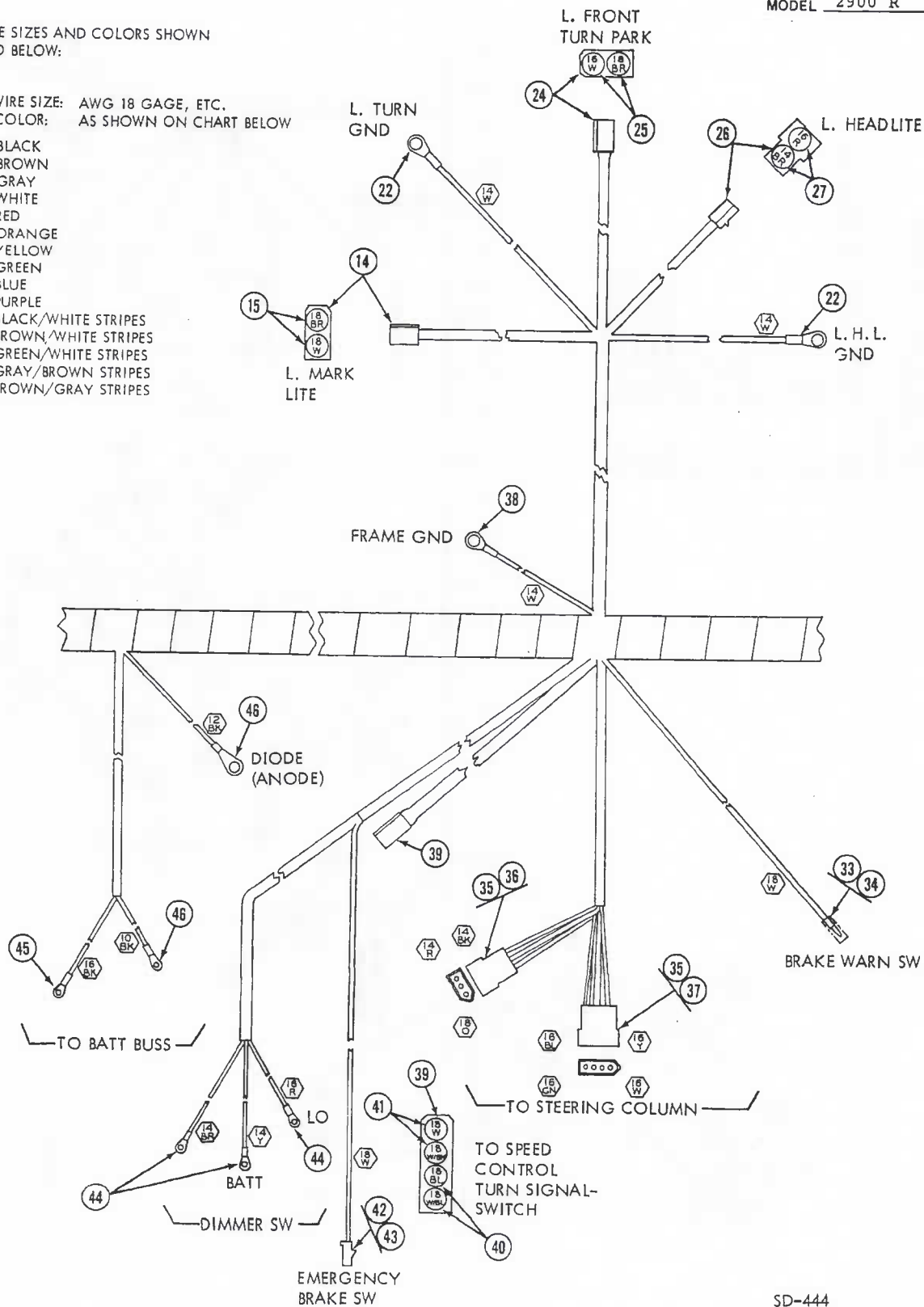
GROUP 4 Automotive Elec.
MODEL 2900 R

NOTE: WIRE SIZES AND COLORS SHOWN ON LEGEND BELOW:

EXAMPLE:

$\frac{18}{BK}$ -----WIRE SIZE: AWG 18 GAGE, ETC.
-----COLOR: AS SHOWN ON CHART BELOW

BK	BLACK
BR	BROWN
GY	GRAY
W	WHITE
R	RED
O	ORANGE
Y	YELLOW
GN	GREEN
BL	BLUE
P	PURPLE
BK/W	BLACK/WHITE STRIPES
BR/W	BROWN/WHITE STRIPES
GN/W	GREEN/WHITE STRIPES
GY/BR	GRAY/BROWN STRIPES
BR/GY	BROWN/GRAY STRIPES



SD-444

Figure 4-5. Harness, Front Lights - Steering Column

(Sheet 2 of 3) (Coach 00001 to 00645)

FMC FMC Corporation
Motor Coach Division
333 Brokaw Road Box 664 Santa Clara California 95052

ISSUED 5/73
REVISED C4, 9/76

REPAIR PARTS LIST

GROUP 4 Automotive Elec.
MODEL 2900 R

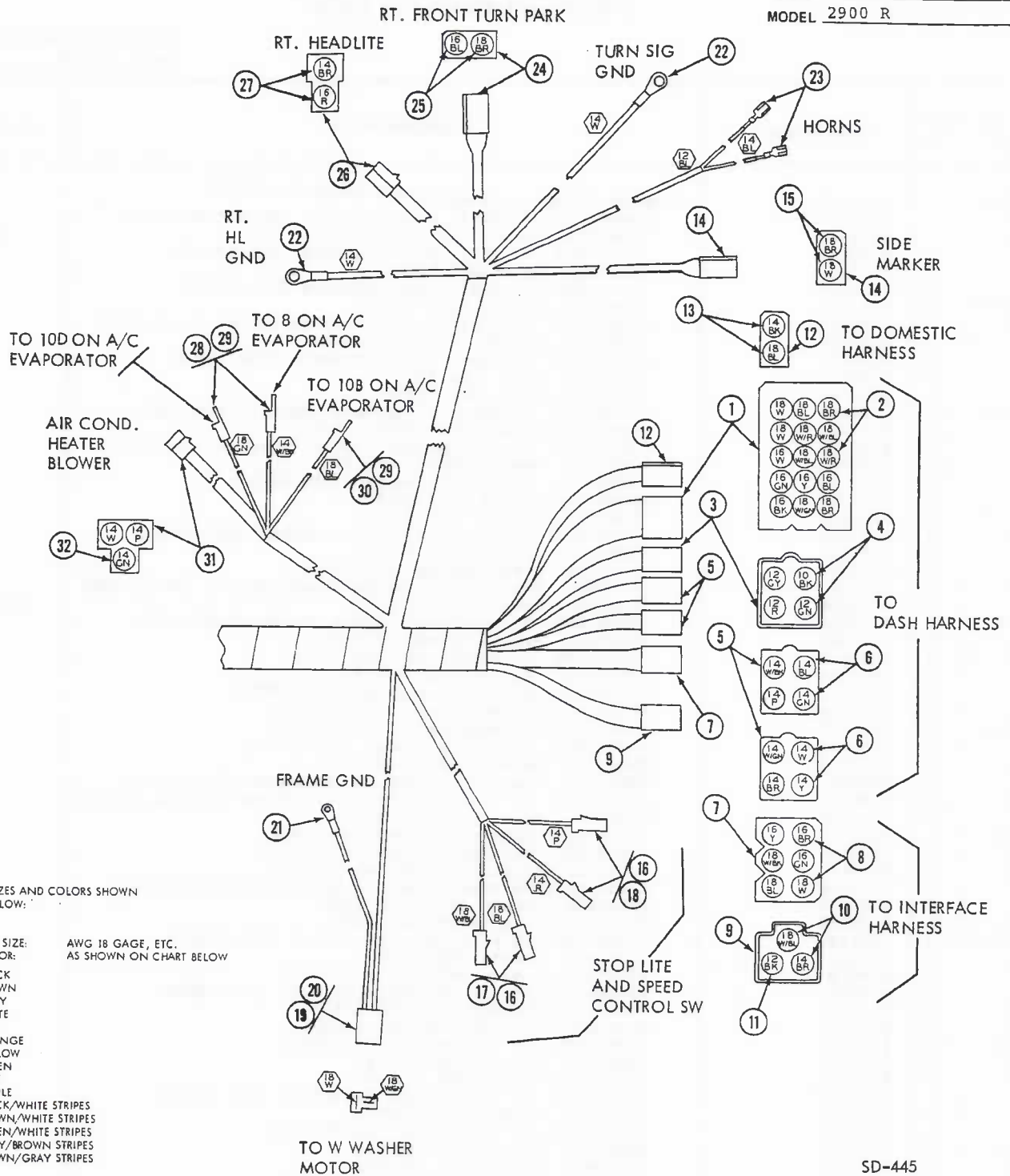


Figure 4-5. Harness, Front Lights - Steering Column
(Sheet 3 of 3) (Coach 00001 to 00645)

REPAIR PARTS LIST

GROUP 4 Automotive Elec.

MODEL 2900R

FIG NO.	ITEM NO.	PART NUMBER	ITEM DESCRIPTION	QTY PER UNIT
4-5		5100467	HARNESS (Components of) (Coach 00001 to 00645)	
	1	5100487	CONNECTOR, To inst. panel harness (MO-R03-09-1151)	1
	2	5100488	TERMINAL, Female (MO-02-09-1103)	15
	3	5101121	CONNECTOR, To inst. panel harness (DEL 97049)	1
	4	5101131	TERMINAL, Male (DEL 95027)	4
	5	5101120	CONNECTOR, To inst. panel harness (DEL 97048)	2
4-5	6	5101128	TERMINAL, Female (DEL 92573)	8
	7	5101140	CONNECTOR, To panel/engine harness (MO-R2-03-09-1063)	1
	8	5100488	TERMINAL, Female (MO-02-09-1103)	6
	9	5101123	CONNECTOR, To panel/engine harness (DEL 94678)	1
	10	5101130	TERMINAL, Male (DEL 92987)	2
	11	5101131	TERMINAL, Male (DEL 95027)	1
4-5	12	5100566	CONNECTOR, To domestic harness (MO-R1-03-09-1022)	1
	13	5100488	TERMINAL, Female (MO-02-09-1103)	2
	14	5100566	CONNECTOR, To side marker lights (MO-R1-03-09-1022)	2
	15	5100488	TERMINAL, Female (MO-02-09-1103)	4
	16	5101126	CONNECTOR, Stop light switch (DEL 97253)	4
	17	5101205	TERMINAL, Female (DEL 92572)	2
4-5	18	5101128	TERMINAL, Female (DEL 92573)	2
	19	5101124	CONNECTOR, To windshield/washer motor (DEL 93781)	1
	20	5101205	TERMINAL, Female (DEL 92572)	1
	21	M15015	TERMINAL, Frame ground (HO R1891S)	1
	22	M15028	TERMINAL, Turn signal and headlight ground (HO R1906S)	4
	23	5101129	TERMINAL, Female (DEL 92574)	2 each
4-5	24	5100566	CONNECTOR, To turn/park lights (MO-R1-03-09-1022)	2
	25	5100488	TERMINAL, Female (MO-02-09-1103)	4
	26	5101124	CONNECTOR, To headlight (DEL 93781)	2
	27	5101128	TERMINAL, Female (DEL 92573)	4
	28	5101127	CONNECTOR, To A/C evaporator (DEL-94528)	2
	29	5101130	TERMINAL, A/C evaporator (DEL 92987)	3
4-5	30	5101205	TERMINAL, A/C evaporator (DEL 92572)	1
	31	5101122	CONNECTOR, To heater blower (DEL 94378)	1
	32	5101128	TERMINAL, Female (DEL 92573)	3
	33	M15029	TERMINAL, Steering column and brake warning switch	1
	34	M15010	CONNECTOR, To steering column and brake warning switch	1
	35	5100489	TERMINAL, Male (MO-02-09-2103)	7
4-5	36	5100484	CONNECTOR, Steering column (MO-1396P)	1
	37	5101139	CONNECTOR, Steering column (MO-1490P)	1
	38	M15019	TERMINAL, Harness ground (MO-R19035)	1
	39	5101138	CONNECTOR, To turn signal switch (MO-R1-03-09-1042)	1
	40	5100488	TERMINAL, Female (MO-02-09-1103)	2
	41	5100489	TERMINAL, Male (MO-02-09-2103)	2
4-5	42	5101126	CONNECTOR, To parking brake switch (DEL 97253)	1
	43	5101205	TERMINAL, Female (DEL 92572)	1
	44	M15018	TERMINAL, Dimmer switch (HO R1902S)	3
	45	M15021	TERMINAL, Battery and ignition buss (HO R1901S)	4
	46	M15025	TERMINAL, Battery buss (HO R1507)	5
	47	M15017	TERMINAL, Battery buss (HO 1885S)	1
4-5	48	5101213	CONNECTOR, To A/C relay (ES 597444)	1
	49	5101216	TERMINAL, Female (ES 361230)	2
	50	5101215	TERMINAL, Female (ES 361430)	1
	51	5101126	CONNECTOR, To turn signal rectifier (DEL 97253)	1
	52	5101129	TERMINAL, Female (DEL 92574)	1
	53	5101213	CONNECTOR, To horn relay (ES 597444)	1
4-5	54	5101205	TERMINAL, Female (DEL 92572)	1
	55	5101216	TERMINAL, Female (ES 361230)	2
	56	M15021	TERMINAL, Ignition buss (HO R19013)	6
	57	M15017	TERMINAL, Ignition buss (HO 1885S)	5
	58	M15025	TERMINAL, Ignition and accy buss (HO R5107)	2
	59	5101124	CONNECTOR, To turn flasher (DEL 93781)	1
4-5	60	5101128	TERMINAL, Female (DEL 92573)	2
	61	5101124	CONNECTOR, To hazard flasher (DEL 93781)	1
	62	5101129	TERMINAL, Female (DEL 92574)	2
	63	5101140	CONNECTOR, Cab lights harness (MO-R2-03-09-1063)	1
	64	5100488	TERMINAL, Female (MO-02-09-1103)	5
	65	5101129	TERMINAL, Female (DEL 92574)	1

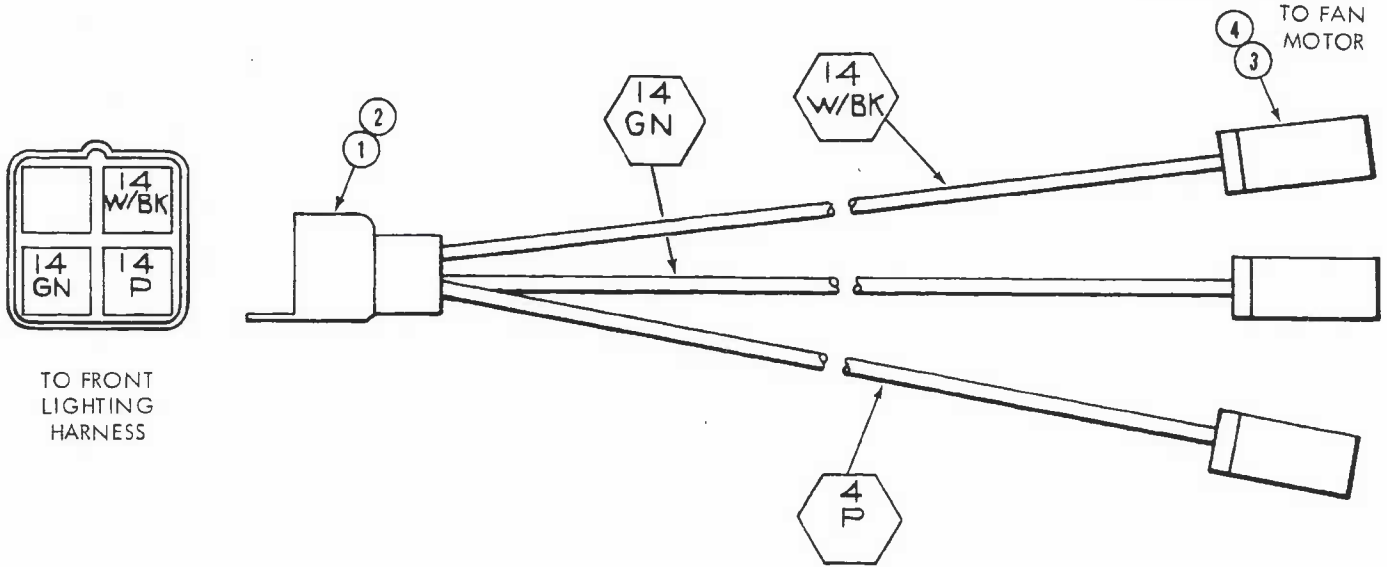
REPAIR PARTS LIST

GROUP 4
MODEL _____

FIG NO.	ITEM NO.	PART NUMBER	ITEM DESCRIPTION	QTY PER UNIT	
4-5.1	1	5107239	HARNES, Front lighting (coach 00646 and up)	1	
		5100483	CONNECTOR, To overhead lights and w/washer connection (MO R-03-09-1-11)	2	
	2	5100482	CONNECTOR, To windshield washer connector (MO P-03-09-1101)	1	
	3	5100566	CONNECTOR, To turn signals, side markers, park, A/C and interface harness (MO R1-03-09-1022)	8	
4-5.1	4	5101140	CONNECTOR, To interface harness (MO R2-03-09-1063)	1	
	5	5100487	CONNECTOR, To center instrument panel (MO R-03-09-1151)	1	
	6	5100488	CONTACT, Connector socket (MO 02-09-1103)	48	
	7	5100489	CONTACT, Connector pin (MO 02-09-2103)	1	
	8	M-15015	TERMINAL, Ground (18 ga ring)	7	
	9	M-15019	TERMINAL, Relays, circuit breakers, and head light dimmer (14-16 ga ring)	17	
	10	M-15020	TERMINAL, Relays and circuit breaker (10 ga ring)	8	
	11	M-15031	TERMINAL, To accessory relay	1	
	12	5101126	CONNECTOR, To head light ground brake light switch, horn, and interface harness (GMPE 2977253)	6	
	13	5101127	CONNECTOR, To A/C compressor and evaporators (GMPE 2984528)	3	
	14	5101131	TERMINAL, To center panel (GM PE 2965027)	4	
	15	5101124	CONNECTOR, Flasher-headlights-w/washer (GMPE 2975981)	5	
	16	5101122	CONNECTOR, To A/C and horn relay (GMPE 2984378)	3	
	17	5101123	CONNECTOR, To interface harness (GMPE 2984678)	1	
	18	5101129	TERMINAL, To flasher, horn relay, and A/C relay (GMPE 2962574)	6	
	19	5101120	CONNECTOR, To center instrument and radio panels (GMPE 2977048)	2	
	4-5.1	20	5101121	CONNECTOR, To center instrument panel (GMPE 6294544)	1
		21	5101205	TERMINAL, To A/C relays (GMPE 2962572)	2
22		5101128	TERMINAL, To flasher, head light ground, A/C compressor, and brake light switch (GMPE 2962573)	22	
23		5107807	TERMINAL, To interface harness and A/C high pressure switch (GMPE 2962989)	3	
	24	5101130	TERMINAL, To A/C compressor switch (GMPE 2962981)	1	
	25	5101138	CONNECTOR, To turn signal switch (MO R1-03-09-1042)	1	
	26	5100485	CONNECTOR, To turn signal switch (MO R1-03-09-1032)	1	
4-5.1	27	5100135	RELAY, Accessory (ES 70-2450-1)	1	

REPAIR PARTS LIST

GROUP 4 Automotive Elec.
MODEL 2900R



NOTES:

- WIRE SIZES AND COLORS SHOWN BELOW
EXAMPLE:

10
W

 WIRE SIZE 14 GA. ETC
WIRE COLOR SHOWN BELOW
CIRCUIT NO.
GN GREEN
P PURPLE
W/BK WHITE/BLACK STRIPES

SD-1027

Figure 4-5.2 Harness, Front Heater Cooler (Coach 00646 & up)

FIG NO.	ITEM NO.	PART NUMBER	ITEM DESCRIPTION	QTY PER UNIT
4-5.2	1	5107683	HARNESS, Heater-cooler	1
	2	5101121	CONNECTOR, To front lighting harness (DEL 97049)	1
	3	5101130	TERMINAL, To front lighting harness (DEL 92987)	3
	4	5101126	CONNECTOR, To A/C and heater fan motor (DEL 97253)	3
		5101128	TERMINAL, To A/C and heater fan motor (DEL 92573)	3

REPAIR PARTS LIST

GROUP 4 Automotive Elec.
 MODEL 2900 R

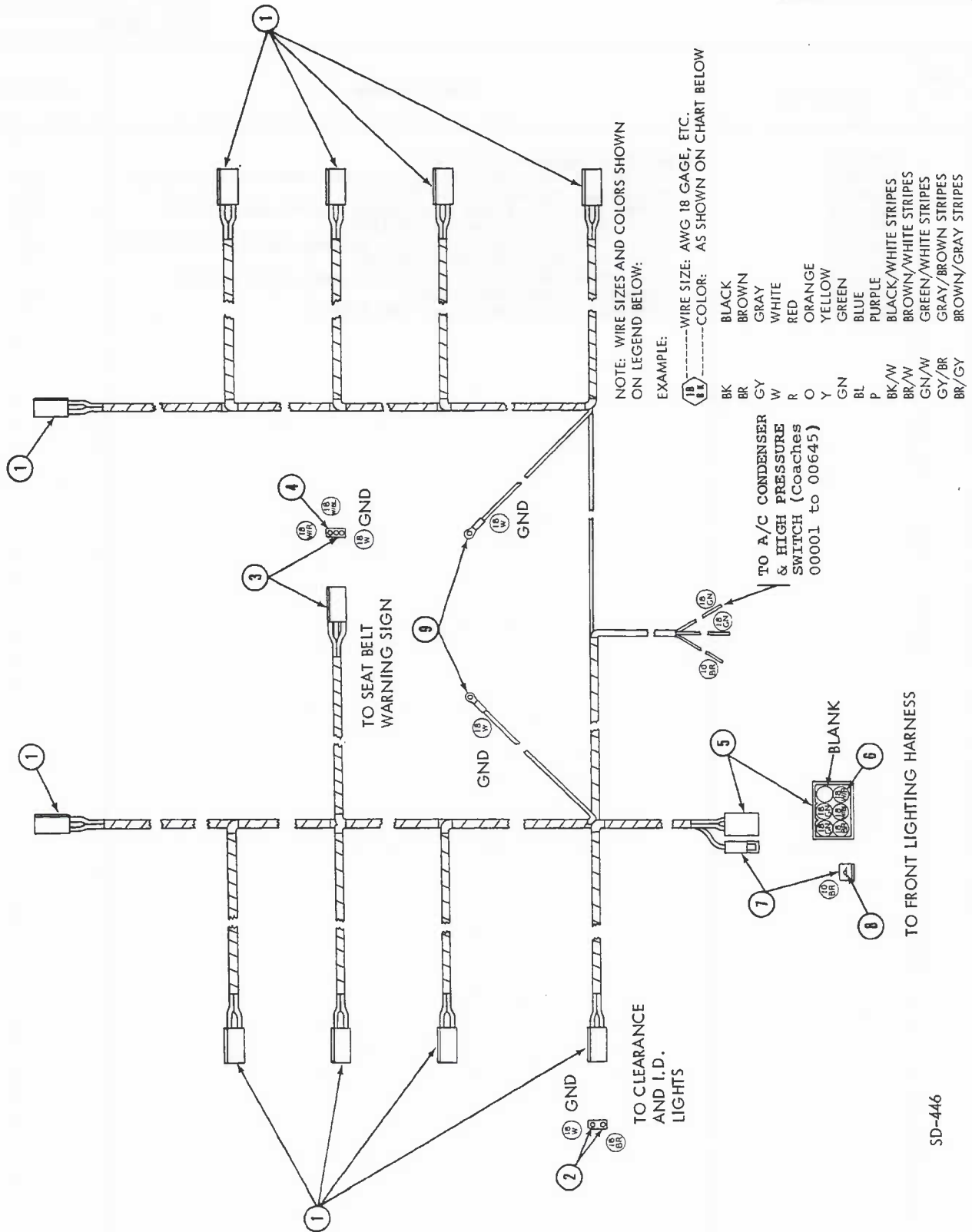


Figure 4-6. Harness, Identification Clearance Lights and Roof Air Conditioning Units

SD-446

REPAIR PARTS LIST

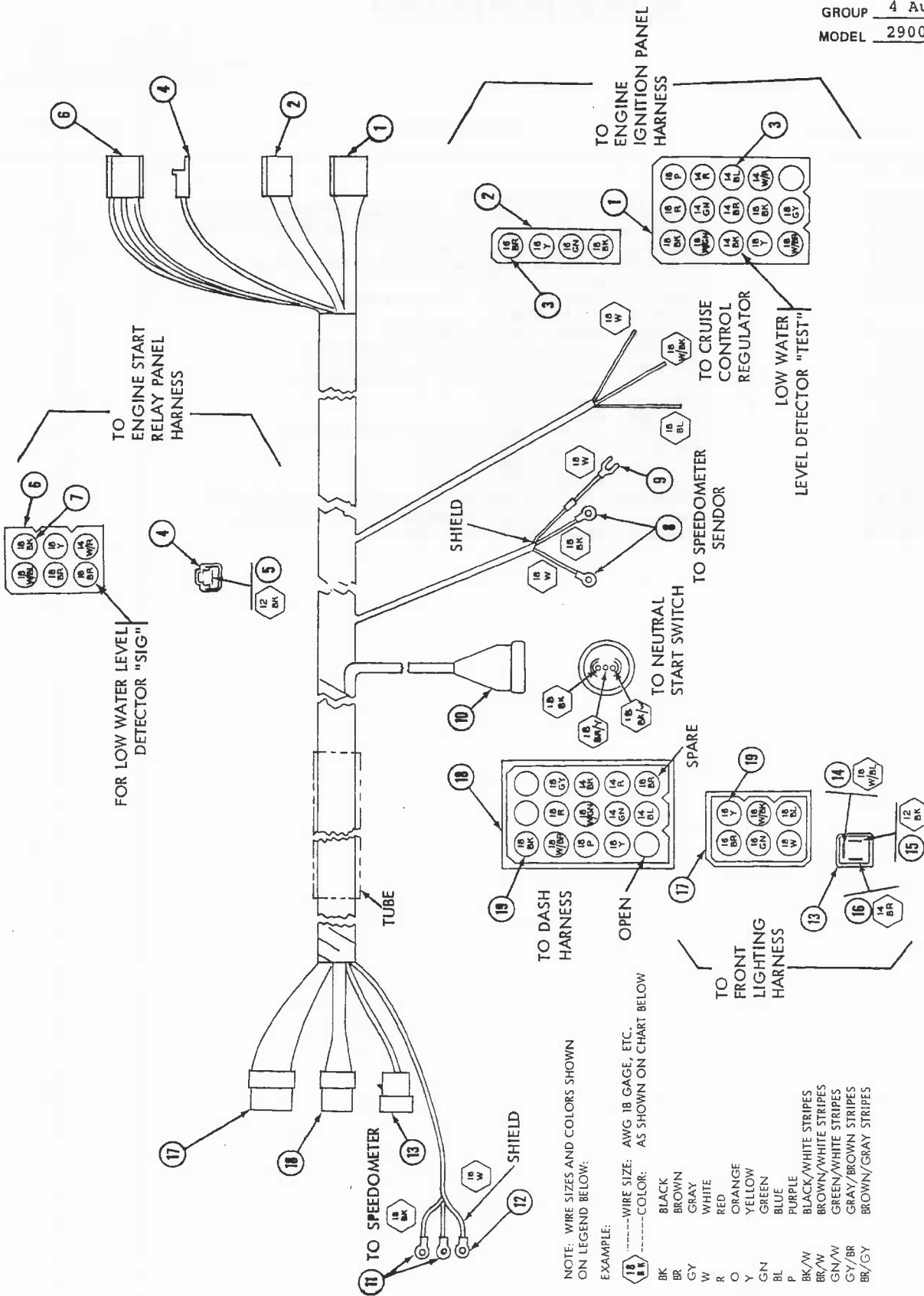
GROUP 4 Automotive Elec.
MODEL 2900R

FIG NO.	ITEM NO.	PART NUMBER	ITEM DESCRIPTION	QTY PER UNIT
4-6	1	5100469	HARNES (Component parts of)	
	2	5100566	CONNECTOR, ID and clearance lights (MO-R1-03-09-1022)	10
	3	5100488	TERMINAL, Female (MO-02-09-1103)	20
	4	5100485	CONNECTOR, Clock and sign panel (MO-R1-03-09-1032)	1
	5	5100488	TERMINAL, Female (MO-02-09-1103)	3
	6	5101141	CONNECTOR, To front lighting harness (MO-P1-03-09-2062)	1
	7	5100489	TERMINAL, Male (MO-02-09-2103)	5
	8	5101127	CONNECTOR, To front lighting harness (DEL 94528)	1
	9	5101131	TERMINAL, Male (DEL 95027)	1
		M15015	TERMINAL, Harness ground (HO R1891S)	2

REPAIR PARTS LIST

GROUP 4 Automotive Elec.
MODEL 2900 R

SD-1055



NOTE: WIRE SIZES AND COLORS SHOWN ON LEGEND BELOW:

EXAMPLE:

18 BK WIRE SIZE: AWG 18 GAGE, ETC.
18 BK COLOR: AS SHOWN ON CHART BELOW

BK	BLACK
BR	BROWN
GY	GRAY
W	WHITE
R	RED
O	ORANGE
Y	YELLOW
GN	GREEN
BL	BLUE
P	PURPLE
BK/W	BLACK/WHITE STRIPES
BR/W	BROWN/WHITE STRIPES
GN/W	GREEN/WHITE STRIPES
GY/BR	GRAY/BROWN STRIPES
BR/GY	BROWN/GRAY STRIPES

Figure 4-7. Harness, Instrument Panel to Engine Compartment

REPAIR PARTS LIST

GROUP 4 Automotive Elec.

MODEL 2900R

FIG NO.	ITEM NO.	PART NUMBER	ITEM DESCRIPTION	QTY PER UNIT
4-7		5100465	HARNES (Component parts of)	
	1	5100487	CONNECTOR, Engine ignition harness (MO-R03-09-1151)	1
	2	5101138	CONNECTOR, Engine ignition harness (MO-R1-03-09-1042)	1
	3	5100488	TERMINAL, Female (MO-02-09-1103)	18
	4	5101127	CONNECTOR, Engine ignition harness (DEL 94528)	1
	5	5101131	TERMINAL, Male (DEL 95027)	1
	6	5101140	CONNECTOR, Engine start relay harness (MO-R2-03-09-1063)	1
	7	5100488	TERMINAL, Female (MO-02-09-1103)	6
	8	M15016	TERMINAL, Speedometer sender (HO R1890S)	2
	9	M15124	TERMINAL, Speedometer sender (DEL 40108)	1
	10	5100517	WIRE, Neutral start switch (CCMI 2926502)	1
	11	M15031	TERMINAL, Speedometer	2
	12	M15015	TERMINAL, Speedometer	1
	13	5101122	CONNECTOR, Inst. panel harness (DEL 94378)	1
	14	5101129	TERMINAL, Female (DEL 92574)	1
	15	5101205	TERMINAL, Female (DEL 92572)	1
	16	5101128	TERMINAL, Female (DEL 92573)	1
	17	5101141	CONNECTOR, Inst. panel harness (MO-P1-03-09-2062)	1
	18	5100486	CONNECTOR, Inst. panel harness (MO-P03-09-2151)	1
19	5100489	TERMINAL, Male (MO-02-09-2103)	18	



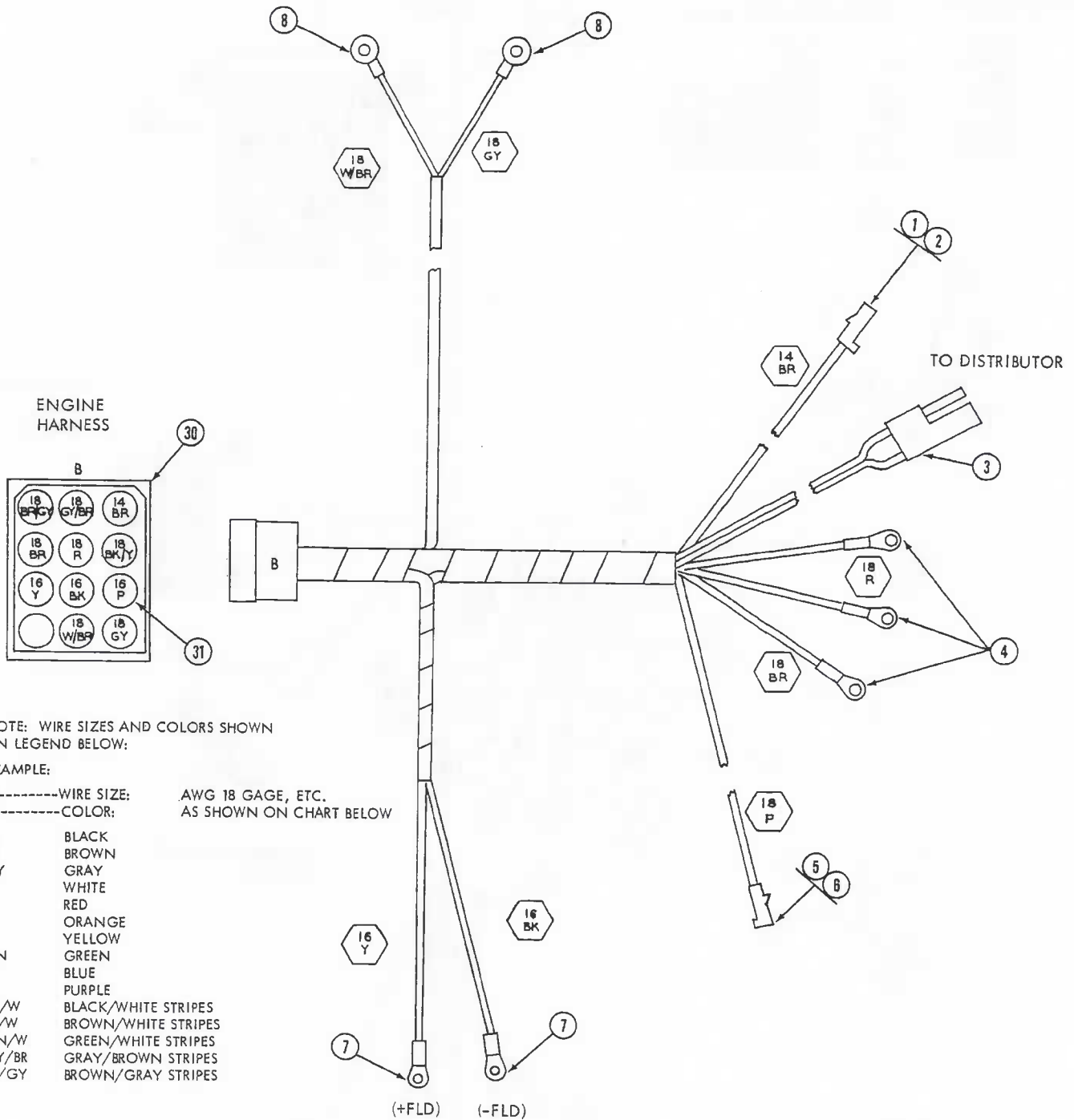
FMC Corporation
Motor Coach Division
333 Brokaw Road Box 664 Santa Clara California 95052

ISSUED 5/73

REVISED C4, 9/76

REPAIR PARTS LIST

GROUP 4 Automotive Elec.
 MODEL 2900 R



NOTE: WIRE SIZES AND COLORS SHOWN ON LEGEND BELOW:

EXAMPLE:

18-----WIRE SIZE: AWG 18 GAGE, ETC.
 BK-----COLOR: AS SHOWN ON CHART BELOW

BK	BLACK
BR	BROWN
GY	GRAY
W	WHITE
R	RED
O	ORANGE
Y	YELLOW
GN	GREEN
BL	BLUE
P	PURPLE
BK/W	BLACK/WHITE STRIPES
BR/W	BROWN/WHITE STRIPES
GN/W	GREEN/WHITE STRIPES
GY/BR	GRAY/BROWN STRIPES
BR/GY	BROWN/GRAY STRIPES

SD-449

Figure 4-8. Harness, Engine Ignition (Sheet 2 of 2)

REPAIR PARTS LIST

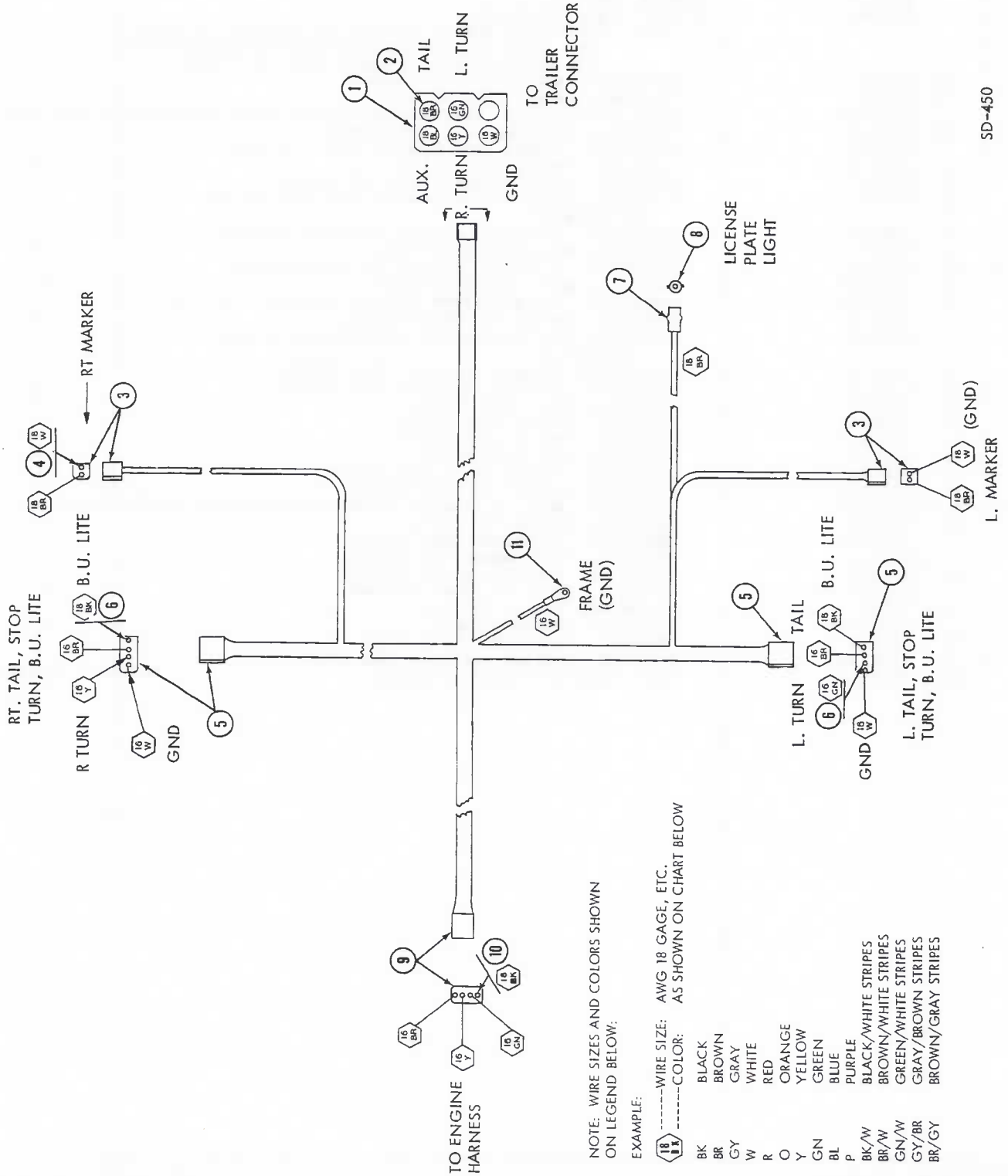
GROUP 4 Automotive Elec.

MODEL 2900R

FIG NO.	ITEM NO.	PART NUMBER	ITEM DESCRIPTION	QTY PER UNIT
		5100466-01 5100466-02	HARNESS, Engine HARNESS, Ignition panel NOTE: 5100466-01 engine harness and 5100466-02 ignition panel harness replace 5100466 engine ignition harness used on coach 00001 to 00329.	
4-8	1	M15010	CONNECTOR, A/C clutch (DEL 42900)	1
	2	M15029	TERMINAL, Female (DEL 44220)	1
	3	5100756	WIRE W/CONNECTORS, Distributor harness (CCMI 3513753)	Not Sold Separately
	4	M15015	TERMINAL, Ignition coil (HO R1891S)	3
	5	5101903	CONNECTOR, Engine temp sending unit (CH 30207)	1
4-8	6	5101205	TERMINAL, Female (DEL 92572)	1
	7	M15019	TERMINAL, To generator field (HO R1903S)	2
	8	M15016	TERMINAL, Oil pressure sending unit and switch (HO R1890S)	2
	9	5101139	CONNECTOR, To front harness (MO-P1-03-09-2042)	1
	10	5100489	TERMINAL, Male (MO-02-09-2103)	4
4-8	11	5100486	CONNECTOR, To front harness (MO-P03-09-2151)	1
	12	5100489	TERMINAL, Male (MO-02-09-2103)	13
	13	5101138	CONNECTOR, To rear light harness (MO-R1-03-09-1042)	1
	14	5100488	TERMINAL, Female (MO-02-09-1103)	4
	15	M15015	TERMINAL, Rear windshield washer/wiper ground (HO R1891S)	1
	16	5101127	CONNECTOR, Ballast resistor (DEL 94528)	2
	17	5101126	CONNECTOR, Ballast resistor (DEL 97253)	2
4-8	18	5101130	TERMINAL, Male (DEL 92987)	1
	19	5101205	TERMINAL, Female (DEL 92572)	1
	20	5101129	TERMINAL, Female (DEL 92574)	1
	21	5101131	TERMINAL, Male (DEL 95027)	1
	22	5101213	CONNECTOR, Bypass relay (ES 597444)	1
	23	5101214	TERMINAL, Female (ES 361830-KK1)	3
4-8	24	5100483	CONNECTOR, Back-up flasher (MO-R1-03-09-1011)(To Coach 00603)	1
	25	5100488	TERMINAL, Female (MO 1189)	1
	26	5101126	CONNECTOR, Regulator (DEL 97253)	1
	27	M15016	TERMINAL, Fuel sender (HO R1890S)	1
	28	M15222	CONNECTOR, Ignition panel harness	1
	29	M15226	TERMINAL, Ignition panel harness	11
	30	M15221	CONNECTOR, Engine harness	1
	31	M15225	TERMINAL, Engine harness	11
4-8	32	M15019	TERMINAL, Regulator (HO R1903S)	2
	33	5101130	TERMINAL, Ballast resistor (DEL 92987)	1
	34	5100518	WIRE, Regulator (CCMI 3438370)	Not Sold Separately

REPAIR PARTS LIST

GROUP 4 Automotive Elec.
MODEL 2900 R



NOTE: WIRE SIZES AND COLORS SHOWN ON LEGEND BELOW:

EXAMPLE:

(18 BK) --- WIRE SIZE: AWG 18 GAGE, ETC.
--- COLOR: AS SHOWN ON CHART BELOW

- BK BLACK
- BR BROWN
- GY GRAY
- W WHITE
- R RED
- O ORANGE
- Y YELLOW
- GN GREEN
- BL BLUE
- P PURPLE
- BK/W BLACK/WHITE STRIPES
- BR/W BROWN/WHITE STRIPES
- GN/W GREEN/WHITE STRIPES
- GY/BR GRAY/BROWN STRIPES
- BR/GY BROWN/GRAY STRIPES

SD-450

Figure 4-9. Harness, Rear Lights and Trailer Connection

REPAIR PARTS LIST

GROUP 4 Automotive Elec.
MODEL 2900R

FIG NO.	ITEM NO.	PART NUMBER	ITEM DESCRIPTION	QTY PER UNIT
4-9		5100468	HARNES (Components of)	
	1	5100488	TERMINAL, Female (MO-02-09-1103)	5
	2	5101140	CONNECTOR, Trailer (MO 1261R)	1
	3	5100566	CONNECTOR, Marker lights (MO-R1-03-09-1022)	2
	4	5100488	TERMINAL, Female (MO-02-09-1103)	4
4-9	5	5101138	CONNECTOR, Tail-turn-stop lights (MO-R1-03-09-1042)	2
	6	5100488	TERMINAL, Female (MO-02-09-1103)	8
	7	5100483	CONNECTOR, License plate light (MO-R1-03-09-1011)	1
	8	5100488	TERMINAL, Female (MO-02-09-1103)	1
	9	5101139	CONNECTOR, To engine harness (MO-P1-03-09-2042)	1
	10	5100489	TERMINAL, Male (MO-02-09-2103)	4
	11	M15019	TERMINAL, Frame ground (HO R19033)	1

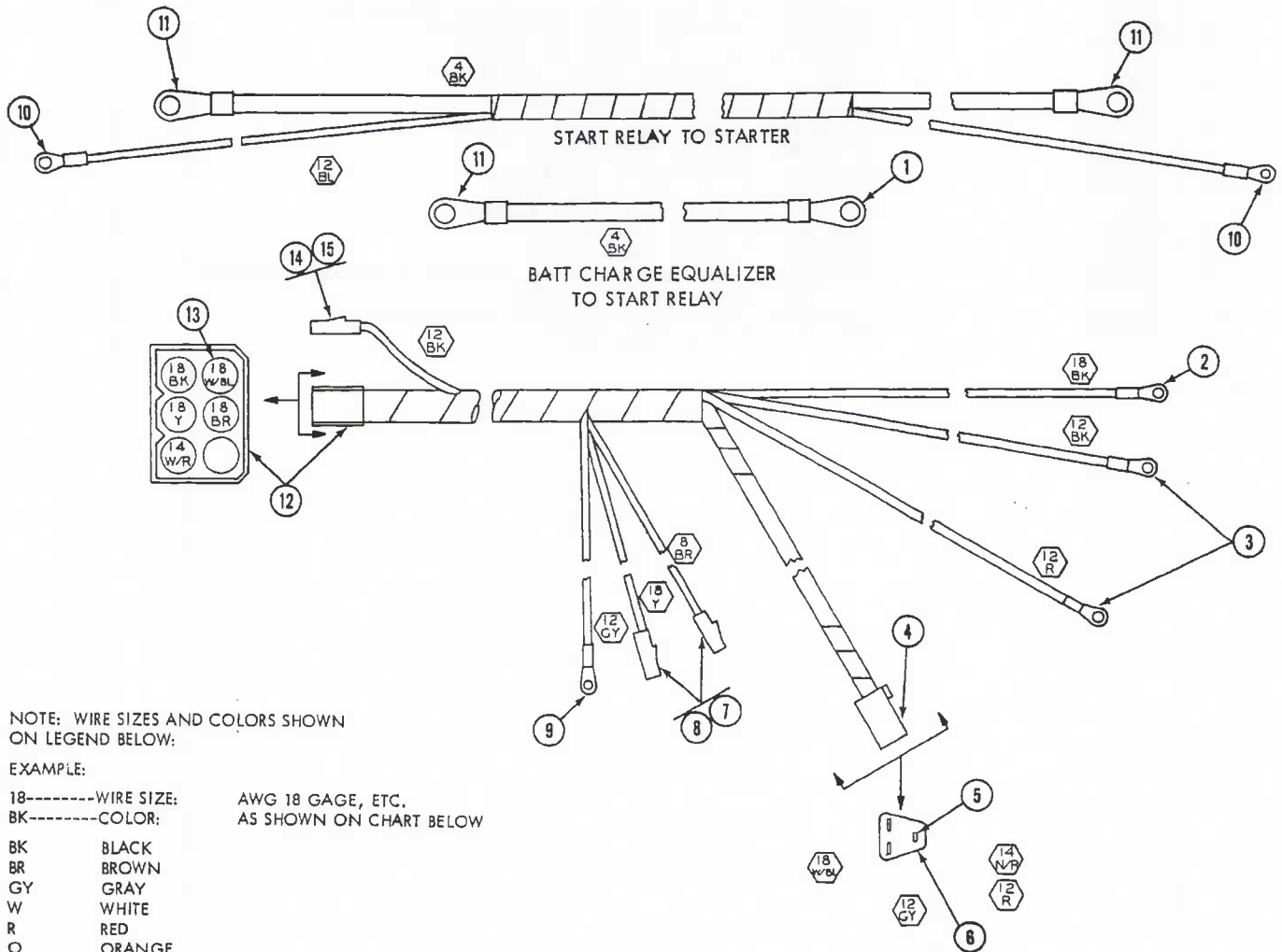
REPAIR PARTS LIST

GROUP 4 Automotive Elec.
MODEL 2900R

FIG NO.	ITEM NO.	PART NUMBER	ITEM DESCRIPTION	QTY PER UNIT
4-10		5101166	HARNESS (Components of) Coach 00001 to 00249	REF
	1	M15023	TERMINAL, Battery charge equalizer (HO-R5101)	1
	2	M15017	TERMINAL, Ignition buss (HO-R1885-S)	1
	3	M15025	TERMINAL, Ignition buss (HO-R5107)	2
	4	5101213	CONNECTOR, Ignition relay (ES-597444)	1
	5	5101214	TERMINAL, Female (ES-361830-KKI)	1
	6	5101216	TERMINAL, Female (ES-361230)	2
	7	5101126	CONNECTOR, Start relay (DEL-97253)	2
	8	5101205	TERMINAL, Female (DEL-92572)	2
4-10	9	M15025	TERMINAL, Start relay (HO-R5107)	1
	10	M15024	TERMINAL, Start relay (HO-R5111)	1
	11	5100502	TERMINAL, Start relay (DEL-45656)	2
	12	M15025	TERMINAL, Starter (HO-R5107)	1
	13	5100502	TERMINAL, Starter (DEL-45656)	2
	14	5101141	CONNECTOR, Instrument/engine harness (MO-P1-03-09-2062)	1
	15	5100489	TERMINAL, Male (MO-02-09-2103)	5
	16	5101126	CONNECTOR, Inst/engine harness (DEL-97253)	1
	17	5101129	TERMINAL, Female (DEL-92574)	1

REPAIR PARTS LIST

GROUP 4 Automotive Elec.
 MODEL 2900 R



NOTE: WIRE SIZES AND COLORS SHOWN ON LEGEND BELOW:

EXAMPLE:

18-----WIRE SIZE: AWG 18 GAGE, ETC.
 BK-----COLOR: AS SHOWN ON CHART BELOW

BK	BLACK
BR	BROWN
GY	GRAY
W	WHITE
R	RED
O	ORANGE
Y	YELLOW
GN	GREEN
BL	BLUE
P	PURPLE
BK/W	BLACK/WHITE STRIPES
BR/W	BROWN/WHITE STRIPES
GN/W	GREEN/WHITE STRIPES
GY/BR	GRAY/BROWN STRIPES
BR/GY	BROWN/GRAY STRIPES

COACH 00250 AND UP

SD-451

Figure 4-11. Harness, Engine Starter Relay

REPAIR PARTS LIST

GROUP 4 Automotive Elec.

MODEL 2900R

FIG NO.	ITEM NO.	PART NUMBER	ITEM DESCRIPTION	QTY PER UNIT
Coach 00250 & up				
4-11		5101166-01	HARNASS, Interface to Ignition Start	
	2	M15017	TERMINAL, Ignition buss (HO R1885S)	1
	3	M15025	TERMINAL, Ignition buss (HO R5107)	2
	4	5101213	CONNECTOR, Ignition relay (ES 597444)	1
	5	5101214	TERMINAL, Female (ES 361830-KKI)	1
4-11	6	5101216	TERMINAL, Female (ES 361230)	2
	7	5101126	CONNECTOR, Start relay (DEL 97253)	2
	8	5101205	TERMINAL, Female (DEL 92572)	2
	9	M15024	TERMINAL, Start relay (HO R5111)	1
	12	5101141	CONNECTOR, Instrument/engine harness (MO-P1-03-09-2062)	1
	13	5100489	TERMINAL, Male (MO-02-09-2103)	5
	14	5101126	CONNECTOR, Instrument/engine harness (DEL 97253)	1
	15	5101129	TERMINAL, Female (DEL 92574)	1
4-11	1	5101166-02	HARNASS, Battery Charge Equalizer to Start Relay	
		M15023	TERMINAL, Battery charge equalizer (HO R5101)	1
	11	5100502	TERMINAL, Starter (DEL 45656)	1
	10	5101166-03	HARNASS, Start Relay to Starter	
		M15020	TERMINAL, Starter (HO R5109)	2
	11	5100502	TERMINAL, Starter (DEL 45656)	2
NOTE: 5101166-01, 02, and 03 replace 5101166 used on coach 00001 to 00249.				

REPAIR PARTS LIST

GROUP 4 Automotive Elec.
 MODEL 2900R

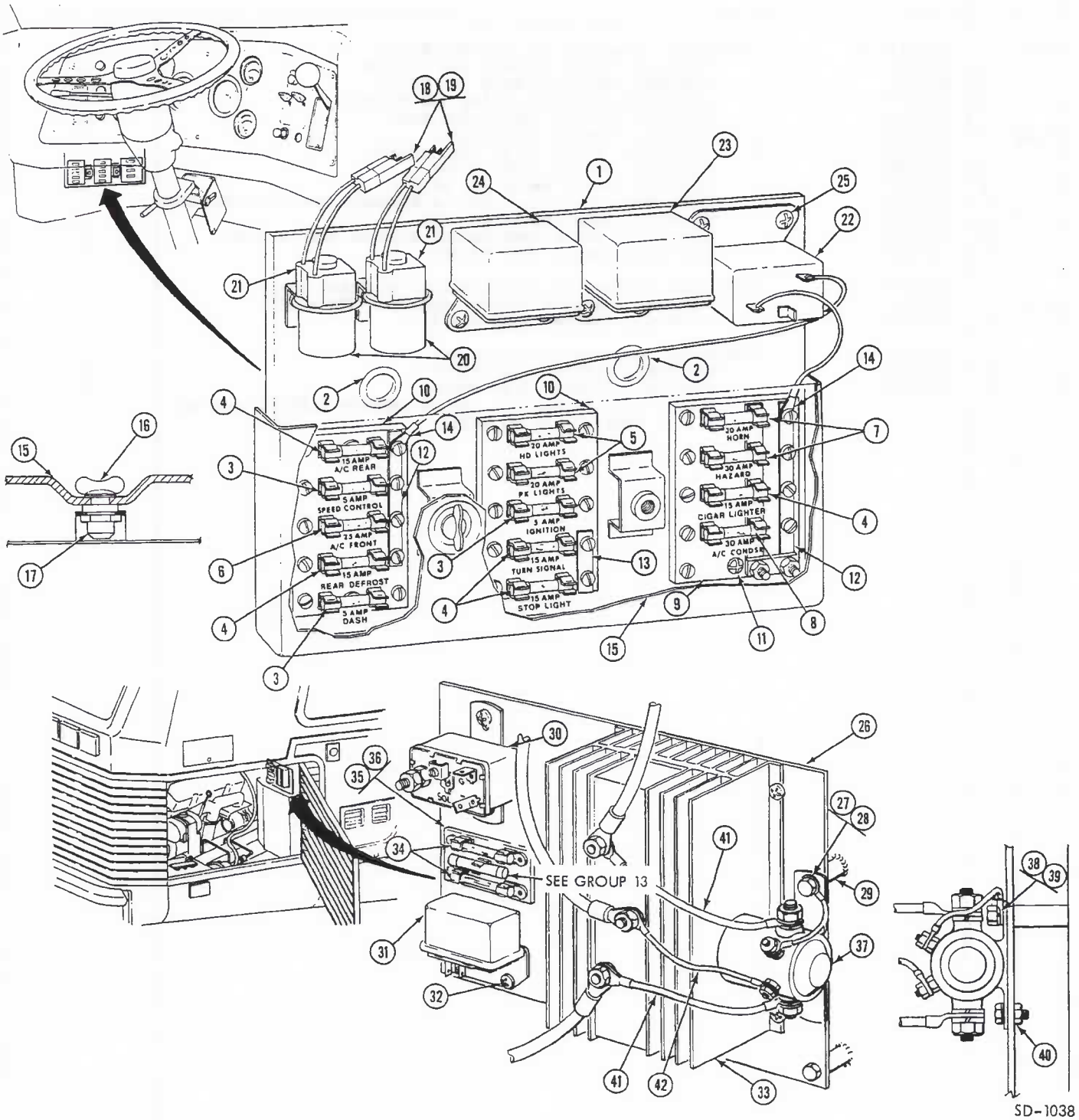


Figure 4-12. Front and Rear Automotive Fuse Panels

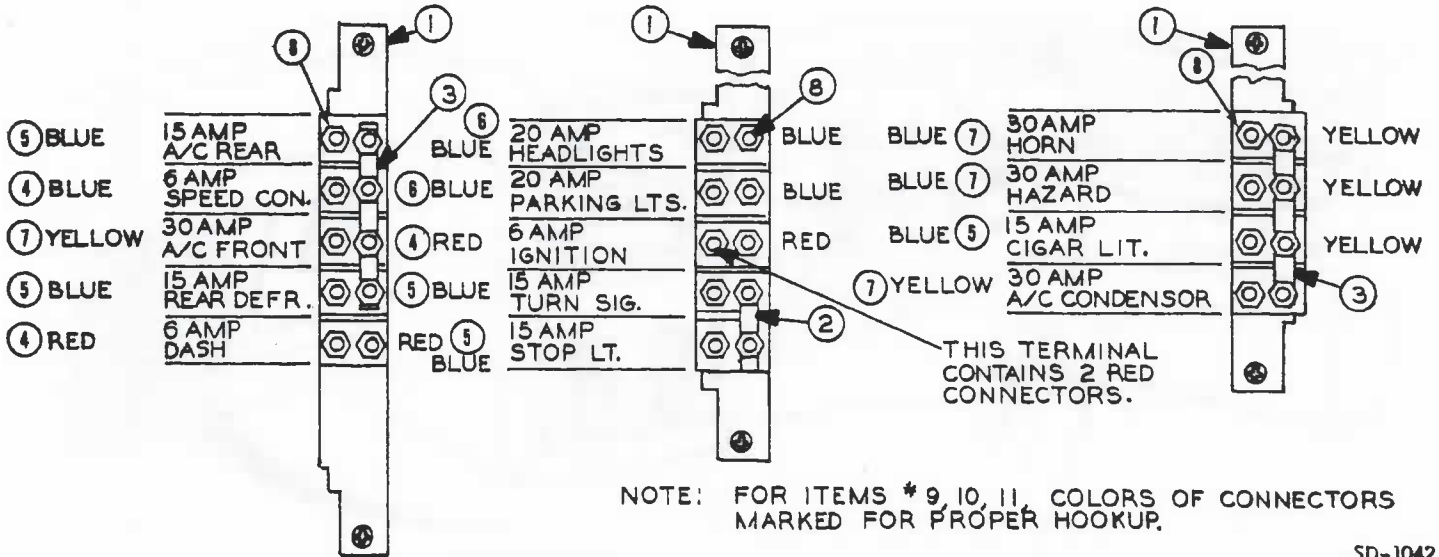
REPAIR PARTS LIST

GROUP 4 AUTOMOTIVE ELEC.
MODEL 2900R

FIG NO.	ITEM NO.	PART NUMBER	ITEM DESCRIPTION	QTY PER UNIT
4-12	1	5101282	<u>FUSE PANEL - FRONT (COACH 00001 TO 00645)</u>	
	2	M20030	PANEL, Fuse (less components)	1
	3	M15032	BUSHING, Main fuse panel, blue (Supersedes 5101040)	2
	4	M15034	FUSE, Dash, ignition (speed control) (5 ampere)	3
4-12	5	M15035	FUSE, Air conditioning, rear defrost, turn signal, stop light, cigar lighter (15 ampere)	5
	6	M15036	FUSE, Headlights (parking lights) (20 ampere)	2
	7	M15037	FUSE, Air conditioning, front unit (25 ampere)	1
	8	M15038	FUSE, Horn and hazard lights (30 ampere)	2
	9	5101055	FUSE, Air conditioner condenser, slo-blo (30 ampere)	1
	10	5101056	FUSE BLOCK ASSY, 4 gang buss (CH M674-01)	1
	11	M14028	FUSE BLOCK ASSY, 5 gang buss (CH 4625)	2
4-12	12	5101057	SCREW, Fuse block attaching, self tapping (No. 18 x 1/2 long)	6
	13	5101096	BUS BAR, Fuse block (2-3/4 long 4 holes) (CH 86080-4)	2
	14	M15025	BUS BAR, Fuse block (1-1/4 long 2 holes) (CH 86080-2)	1
4-12	15	5101286	TERMINAL, Fuse block (No. 10 to 12 wire, No. 6 stud) (HO R5107)	2
	16	5101351	COVER ASSY, w/labels, main fuse panel	1
	17	5101350	STUD, Cover to panel, wing head (SI W2)	2
	18	5101125	RECEPTACLE, Cover to panel stud (SI STR2-4)	2
	19	5101130	CONNECTOR, Turn and flasher unit to front lighting harness, male, 2-pin (DEL 93782)	2
	20	5100817	TERMINAL, Turn and flasher unit to front lighting harness, male (No. 14 to 16 wire) (DEL 92987)	4
	21	5100445	FLASHER, Hazard and turn signal (TSL 552) (sup 5101354)	2
4-12	22	5100135	CONNECTOR AND BRACKET ASSY, Hazard and turn signal (CH 3032)	2
	23	5101093	RELAY, Accessory buss (60 ampere) (ES 70-2450-1)	1
	24	5100134	RELAY, Air conditioner (25 ampere) (ES 13445-8)	1
	25	M14080	RELAY, Horn (25 ampere) (ES 712645-7)	1
			SCREW, Relay & flasher (#10 x 1/2)	10
			NOTE: See Fig. 4-12.1 for circuit breaker kit applicable to coaches 00001 to 00645	
			<u>FUSE PANEL - REAR</u>	
4-12	26	5101836	PANEL, Starter and ignition relay (sup 5101284)	1
	27	M18061	SCREW, Relay panel attaching (1/4-20 x 1/2 long)	4
	28	M17024	WASHER, Relay panel screw (split 1/4)	4
	29	M17094	NUT, Relay panel weld (sup 5101352)	4
	30	5101341	RELAY, Engine starter (CCMI 2444517)	1
	31	5101093	RELAY, Engine ignition (25 ampere) (ES 13445-8)	1
	32	M14089	SCREW, Starter and ignition relay attaching (No. 10 x 1/2 long)	8
	33	5101834	EQUALIZER, Battery (SPW 1202-1302) (sup 5100500)	1
	34	M15033	FUSE, Back-up light/buzzer (standard 10 ampere)	1
	35	5100443	FUSE BLOCK, Starter relay panel (CH 4622-01)	1
	36	M14090	SCREW, Fuse block attaching (No. 8 x 1/2 long)	6
		M15310	CAPACITOR, Low water level circuit	1
		5106692	KIT, Domestic battery charging relay	1
	37	M15251	RELAY, Domestic battery charging (CH-24059)	1
	38	M18061	BOLT, Relay attaching (1/4-20 x 1/2)	2
	39	M17024	WASHER, Relay attaching bolt (1/4 lock)	2
	40	M17040	NUT, Relay attaching bolt (1/4-20)	2
41	M16055	WIRE, Relay to equalizer (#10 white)	2 ft	
42	M16018	WIRE, Relay to equalizer (#16 yellow)	2 ft	
	M15017	TERMINAL, Wire (#6 stud 16 gauge)	2	
	M15228	TERMINAL, Wire (3/8 stud 10 gauge)	2	
	M15112	TERMINAL, Wire (1/4 stud 10 gauge)	2	
	M15158	TERMINAL, Wire (Ring-16 gauge)	2	

REPAIR PARTS LIST

GROUP 4 Automotive Elec.
MODEL 2900R



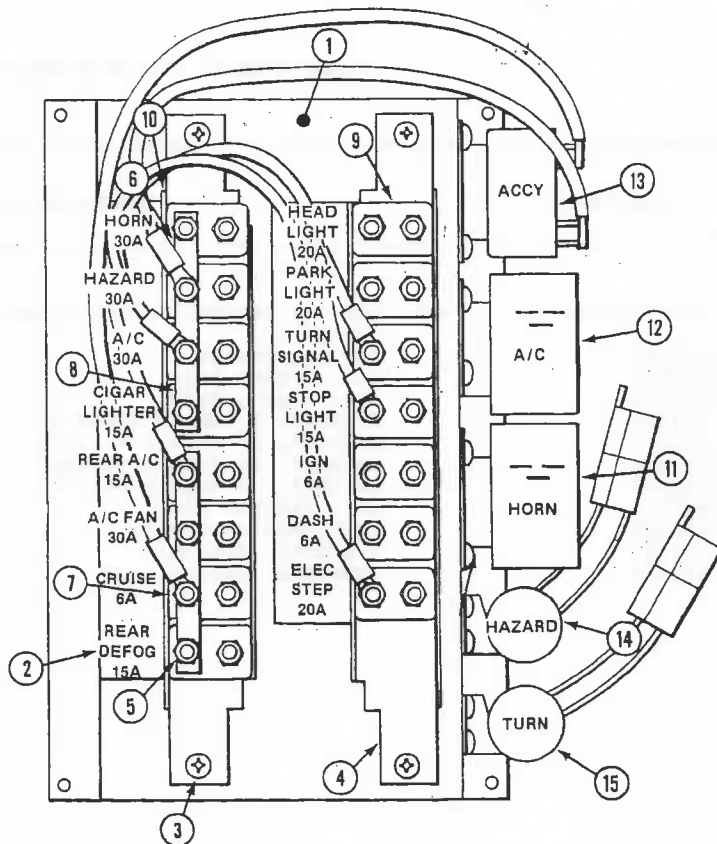
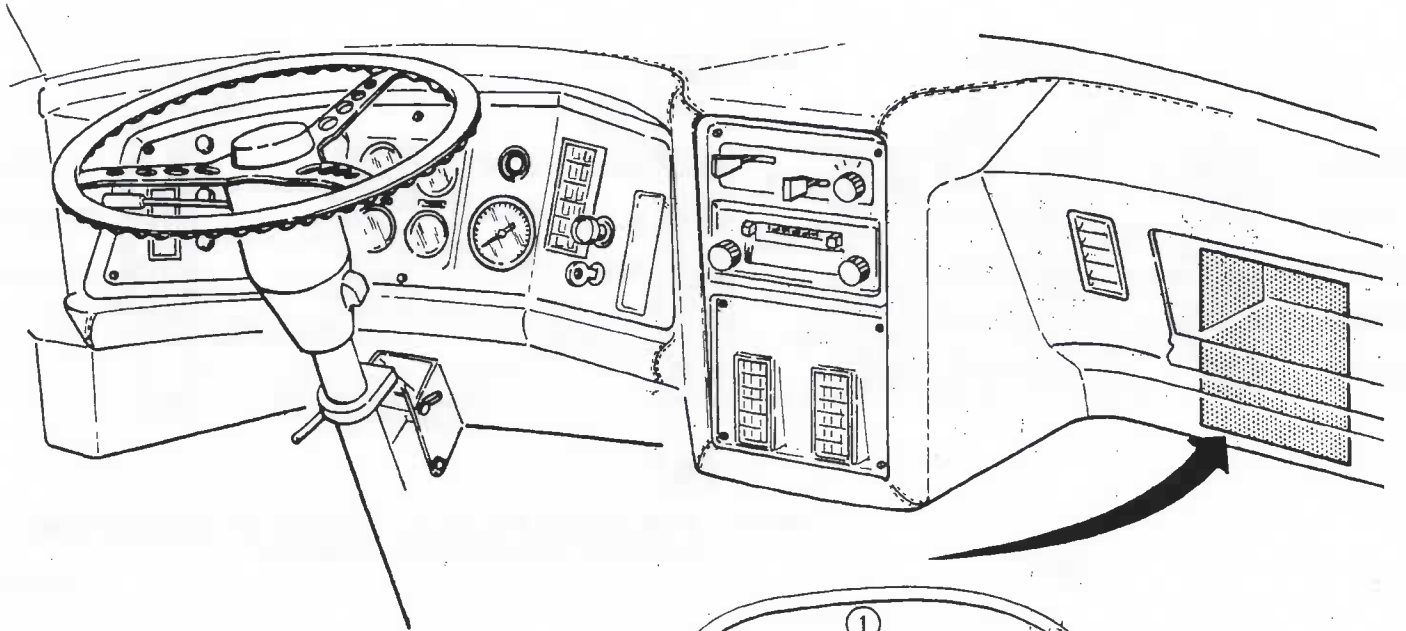
SD-1042

Figure 4-12.1. Circuit Breaker Kit

FIG NO.	ITEM NO.	PART NUMBER	ITEM DESCRIPTION	QTY PER UNIT
		5101279-R001	KIT, Circuit breaker installation (For coaches 00001 to 00645)	1
4-12	1	M15259	TRACK, Breaker	3
	2	M15260	BAR, 2 gang buss	1
	3	M15261	BAR, 4 gang buss	2
	4	M15254	BREAKER, 6 ampere circuit	3
	5	M15255	BREAKER, 15 ampere circuit	5
	6	M15256	BREAKER, 20 ampere circuit	2
	7	M15257	BREAKER, 30 ampere circuit	4
	8	M17172	NUT, Breaker post	28
	9	M15019	TERMINAL, Blue wire	12
	10	M15015	TERMINAL, Red wire	5
	11	M15020	TERMINAL, Yellow wire	5

REPAIR PARTS LIST

GROUP 4 Automotive Elec.
MODEL 2900R



SD-1015

Figure 4-12. 2. Front Circuit Breaker Panel (Coaches 00646 & up)

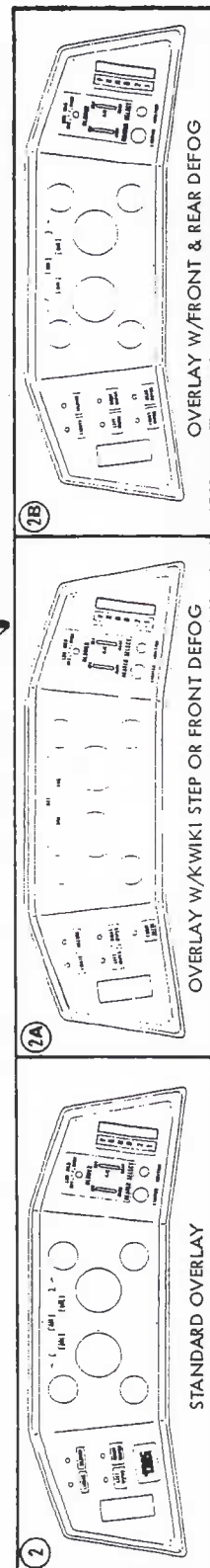
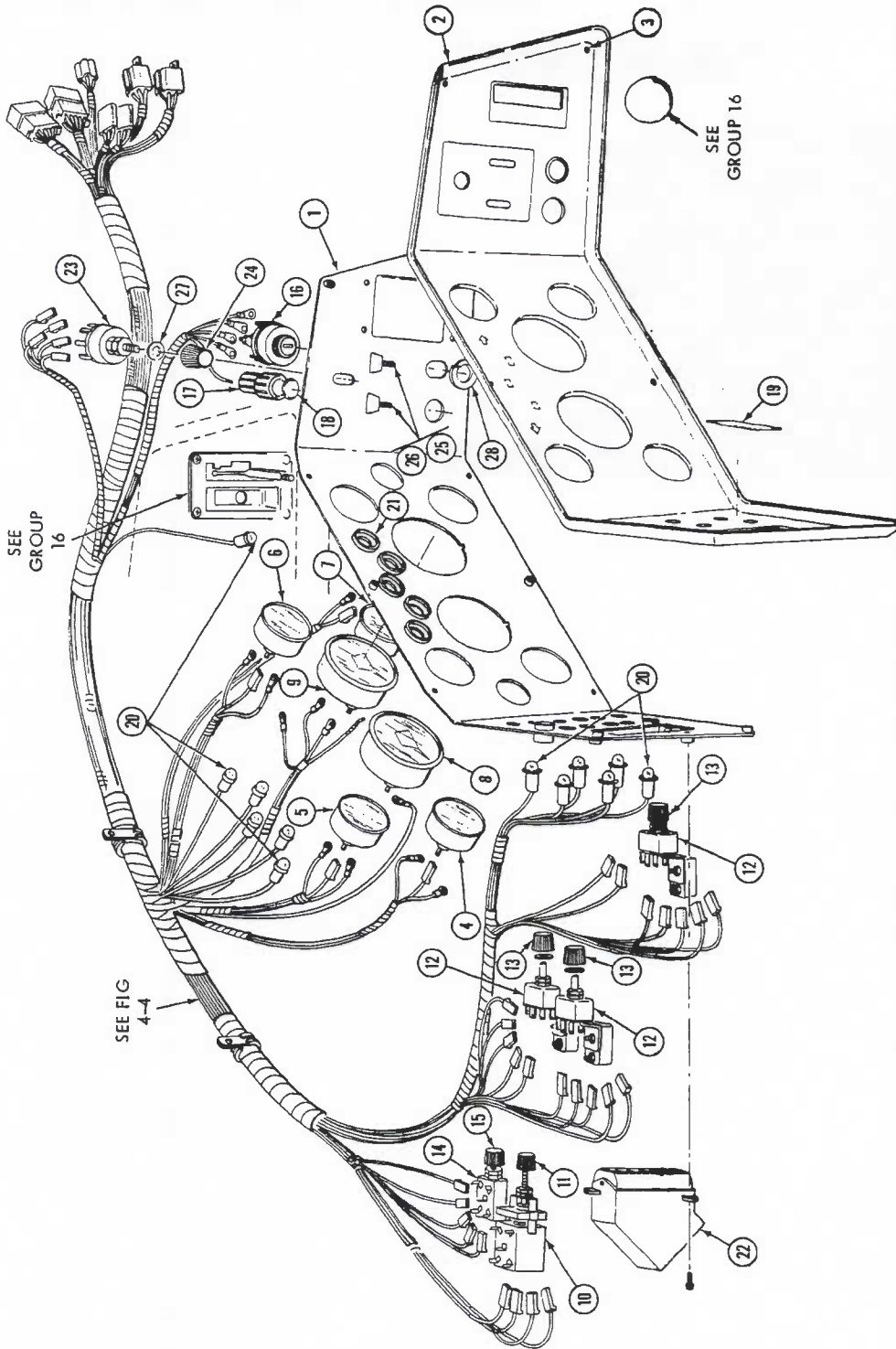
REPAIR PARTS LIST

GROUP 4
MODEL _____

FIG NO.	ITEM NO.	PART NUMBER	ITEM DESCRIPTION	QTY PER UNIT
			<u>CIRCUIT BREAKER PANEL ASSY</u> <u>(COACH 00646 AND UP)</u>	
4-12.2	1	5109088	PANEL, Circuit breaker	1
	2	5100872-24	DECAL, Panel (right side)	1
		5100872-25	DECAL, Panel (left side)	1
	3	M14080	SCREW, Components to panel	14
	4	M15259	BRACKET, Circuit breaker holding	2
4-12.2	5	M17172	NUT, Harness attaching	30
	6	M15261	BUS BAR, Circuit breaker	2
	7	M15254	CIRCUIT BREAKER, 6 ampere	3
	8	M15255	CIRCUIT BREAKER, 15 ampere	5
	9	M15256	CIRCUIT BREAKER, 20 ampere	3
4-12.2	10	M15257	CIRCUIT BREAKER, 30 ampere	4
	11	5100134	RELAY, Horn 25 ampere	1
	12	5101093	RELAY, Air conditioning 25 ampere	1
	13	5100135	RELAY, Accessory buss 60 ampere	1
	14	5100445	CONNECTOR AND BRACKET, Hazard & turn signal	2
	15	5101354	FLASHER, Hazard & turn signal	2
	16	5101125	CONNECTOR, Turn and flasher (DEL 93782)	2
4-12.2	17	5101130	TERMINAL, Turn and flasher (DEL 92987)	2

REPAIR PARTS LIST

GROUP 4 Automotive Elec.
MODEL 2900R



SD-1039

Figure 4-13. Drivers Instrument Panel (Coaches 00001 to 00645)

REPAIR PARTS LIST

GROUP 4
MODEL 2900R

FIG NO.	ITEM NO.	PART NUMBER	ITEM DESCRIPTION	QTY PER UNIT
<u>INSTRUMENT PANEL (COACH 00001 TO 00645)</u>				
4-13	1	5101165	PANEL, Aluminum, instrument (less instruments)	1
	2	5100662-M01	OVERLAY & FILM ASSY, Panel-standard	1
	2A	5100662-R001	OVERLAY & FILM, Panel w/kwiki step or defog	1
	2B	5100662-R002	OVERLAY & FILM, Panel w/front & rear defog	1
	3	M14277	SCREW, Instrument panel attaching (6-32 x 3/4 long)	6
	3	M17167	WASHER, Panel attaching screw (#6 black nylon)	6
	4	5101895	GAUGE, Fuel level (VDO 3015) (sup 5101106)	1
		5106032	SENDING UNIT, Fuel level gauge (60 gal tank) (see group 11)	1
		5106032-01	SENDING UNIT, Fuel level gauge (75 gal tank) (see group 11)	1
	5	5101894	GAUGE, Engine oil pressure (VDO-3541) (sup 5101104)	1
		5101899	SENDING UNIT, Engine oil pressure (VDO-3625)	1
	6	5101897	GAUGE, Engine water temperature (VDO-3112) (sup 5101105)	1
		5101898-01	SENDING UNIT, Engine water temperature (VDO-3257)	1
	7	5101896	GAUGE, Engine alternator (volmeter) (VDO-1941) (sup 5101103)	1
	7	5101103-R001	BULB, Fuel, oil, water, and alternator guages (VDO-6007 or VDO "OSRAM" 3898)	4
	8	5101845-01	SPEEDOMETER, (SWC-821134) (sup 5101100)	1
	9	5101845-04	TACHOMETER, Engine RPM (SWC-960BL) (sup 5101102)	1
	9	5101845-05	BULB, Speedometer & Tachometer (inside instrument) (GE-57)	2
	10	5100693	SWITCH, Headlight (CH-71042)	1
	11	5101418-01	KNOB, Headlight switch	2
	12	5101052	SWITCH, Windshield wiper/washer (IK-P753A)	2
	13	5101418-02	KNOB, Windshield wiper/washer switch	2
14	5100694	SWITCH, Hazard (CH-70203)	1	
15	5101418-01	KNOB, Hazard switch	1	
16	5100692	SWITCH, Starting Ignition (POL-LS103)	1	
17	5101420	LIGHTER, Cigar (CP-205-563)	1	
18	5101418-03	KNOB, Cigar lighter	1	
19	5101443	PLATE, Rear window wiper/defrost switch cover	1	
20	5100643	LAMP, Instrument panel (GE-53)	12	
21	5101476	SPACER, Instrument panel lamp (turn indicators, brake, high beam, eng)	5	
	22	5101419	BEZEL, Air conditioning (left side of panel) (CCMI 03441851)	1
4-13	23	5101847	SWITCH, Air conditioning (IK-754A) (sup 5101417)	1
	24	5101418-02	KNOB, Air conditioning switch	1
	25	5101329-01	CONTROL W/CABLE, Heater and air conditioning	see Group 14
	26	5101329-02	KNOB, Heater and air conditioning control	see Group 14
	27	M17001	WASHER, Windshield wiper/washer and air conditioning switches (flat 7/16 ID)	3
	28	M17104	LOCKWASHER, Starting ignition switch (1/4 ID x 1-1/4 OD) NOTE: See Groups 14 and 16 for heater /AC controls and transmission shift controls.	1

REPAIR PARTS LIST

GROUP 4 Automotive Elec.
MODEL 2900R

SD-1047

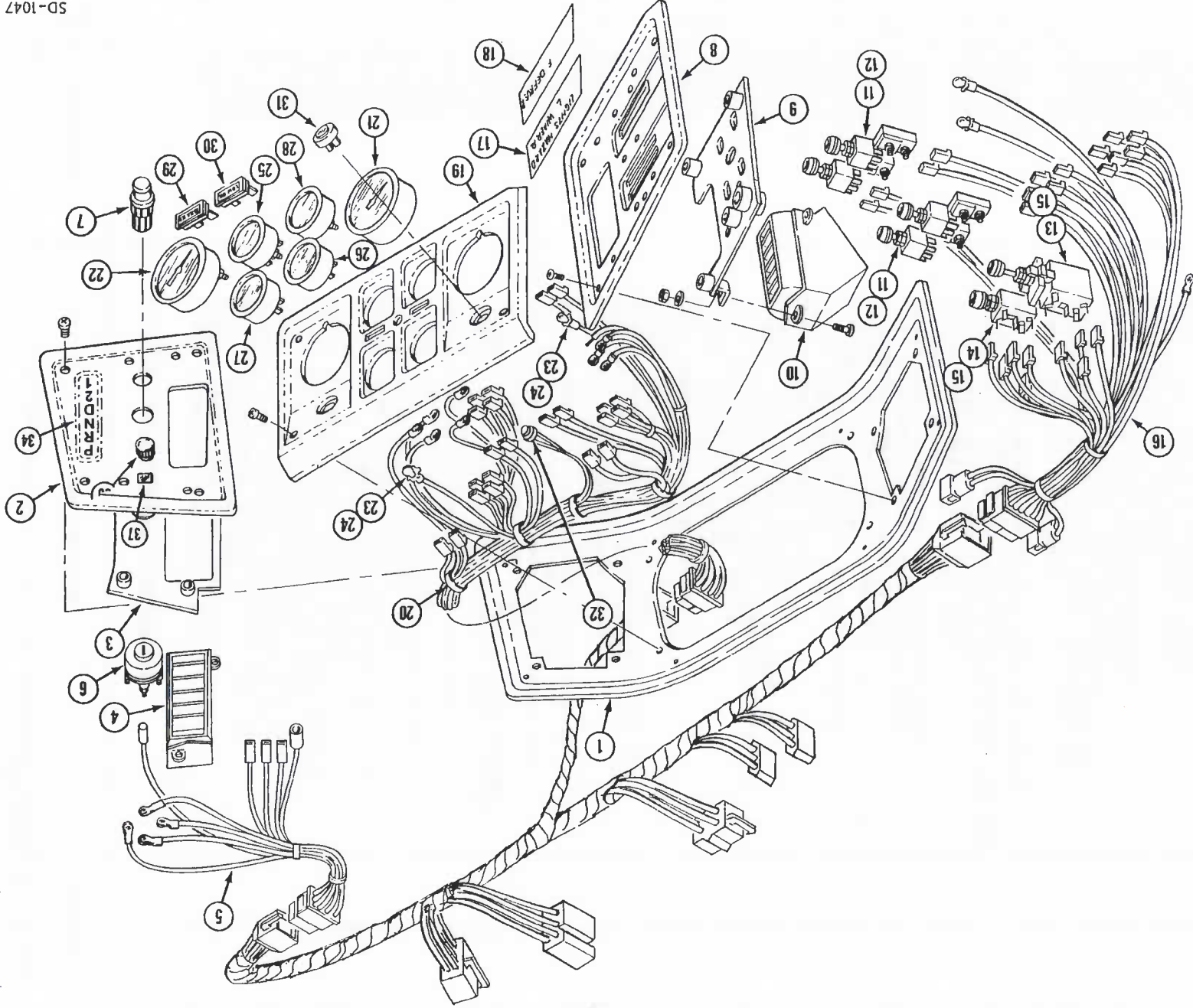


Figure 4-13. 1. Instrument Panel (Coaches 00646 and up)

REPAIR PARTS LIST

GROUP _____
MODEL _____

4

FIG NO.	ITEM NO.	PART NUMBER	ITEM DESCRIPTION	QTY PER UNIT	
<u>INSTRUMENT PANELS (COACH 00646 AND UP)</u>					
4-13.1	1	5106777	BEZEL, Automotive instrument panel	1	
		5107139	BRACKET, Automotive instrument panel	9	
		M-25056	RIVET, Bracket to dashboard	9	
		M-17163	NUT, Panel to bezel attaching, moly-jack (#6)	12	
		M-17078	LOCKNUT, Bezel to bracket attaching (8-32)	9	
		M-14325	SCREW, Bezel to bracket attaching (8-32 x 1-1/4 lg)	9	
		2	5106776-02	FACIA, Automotive instrument right panel	1
		3	5106818	PLATE, Automotive instrument right panel support	1
		4	5101419	BEZEL, Air conditioner (right panel)	1
			M-17050	NUT, Bezel to panel attaching (8-32)	2
			M-14261	SCREW, Bezel to panel attaching (8-32 x 1-1/2 lg)	2
			M-17080	WASHER, Bezel to panel, lock (#8)	2
			M-17063	NUT, Plate to panel attaching (6-32)	4
			M-14332	SCREW, Plate to panel attaching (6-32 x 1 lg)	4
			M-17168	WASHER, Plate to panel lock (#6)	4
		5	5107243	HARNES, Right instrument panel (See Fig. 4-)	1
		6	5100692	SWITCH, Ignition (POL LS103)	1
		7	5101420	LIGHTER, Cigar (CP 205-563) (coaches 00646 to 00875)	1
			5107601	LIGHTER, Cigar (CP 205-615) (coaches 00876 and up)	1
		8	5106778-02	FACIA, Automotive instrument panel, left	1
		9	5106819	PLATE, Automotive instrument panel support left	1
			M-17063	NUT, Plate to panel attaching (6-32)	4
			M-14332	SCREW, Plate to panel attaching (6-32 x 1 lg)	4
			M-17168	WASHER, Plate to panel, lock (#6)	4
		10	5101419	BEZEL, Air conditioner (left panel)	1
			M-17050	NUT, Bezel to panel attaching (8-32)	2
			M-14261	SCREW, Bezel to panel attaching (8-32 x 1/2 lg)	2
			M-17080	WASHER, Bezel to panel, lock (#8)	2
		11	5101052	SWITCH, Wiper and defogger (IK P753A)	4
		12	5101418-04	KNOB, Wiper and defogger switch	4
		13	5100693	SWITCH, Headlight (CH 71042)	1
		14	5100694	SWITCH, Hazard (CH 70203)	1
		15	5101418-01	KNOB, Headlight and hazard switch	2
		5106892	KNOB, Instrument panel facia (coach 00651 and up)	6	
	16	5107241	HARNES, Left instrument panel (See Fig. 4)	1	
	17	5106914-01	DECAL, Lights, hazard and wipers	1	
	18	5106914-02	DECAL, Front and rear defog	1	
	19	5106779	FACIA, Instrument center panel	1	
	20	5107242	HARNES, Center instrument panel (See Fig.4-)	1	
	21	5101845-01	SPEEDOMETER (SWC 821134)	1	
		5101845-02	SENDING UNIT, Speedometer (SWC 821135)	1	
	22	5101845-04	TACHOMETER, Engine RPM (SWC 960-BL)	1	
	23	5101845-05	LAMP, Speedometer and tachometer (SWC 96196)	2	
	24	5101845-06	SOCKET ASSY, Speedometer and tachometer lamp (SWC 822588-1)	2	
	25	5101896	GAUGE, Engine alternator (VDO 1941)	1	
	26	5101894	GAUGE, Engine oil pressure (VDO 3541)	1	
		5101899	SENDING UNIT, Engine oil pressure (on engine) (VDO 3625)	1	
	27	5101897	GAUGE, Water temperature (VDO 3112)	1	
		5101898-01	SENDING UNIT, Water temperature gauge (on engine) (VDO 3257)	1	
	28	5101895	GAUGE, Fuel level (VDO 3015)	1	
		5106032	SENDING UNIT, Fuel (60 gal tank) (See Group 11)	1	
		5106032-01	SENDING UNIT, Fuel (75 gal tank) (See Group 11)	1	
	29	5106891-01	LIGHT, Brake indicator (LEE 31G3-2111T)	1	
	30	5106891-02	LIGHT, Oil indicator (LEE 31G3-2111T)	1	
	31	5106901	LIGHT, Turn indicator (LEE 32RG3-2112T)	2	
	32	M-15265	LIGHT, High beam indicator	1	
		M-15266	CONNECTOR, High beam indicator light	1	
		M-15267	SPEED CLIP, High beam indicator light	1	
		M-14332	SCREW, Center, left, and right panels to bezel attaching (6-32 x 7/8 lg)	12	
	33	5107240	HARNES, Panel to interface connecting (See Fig)	1	

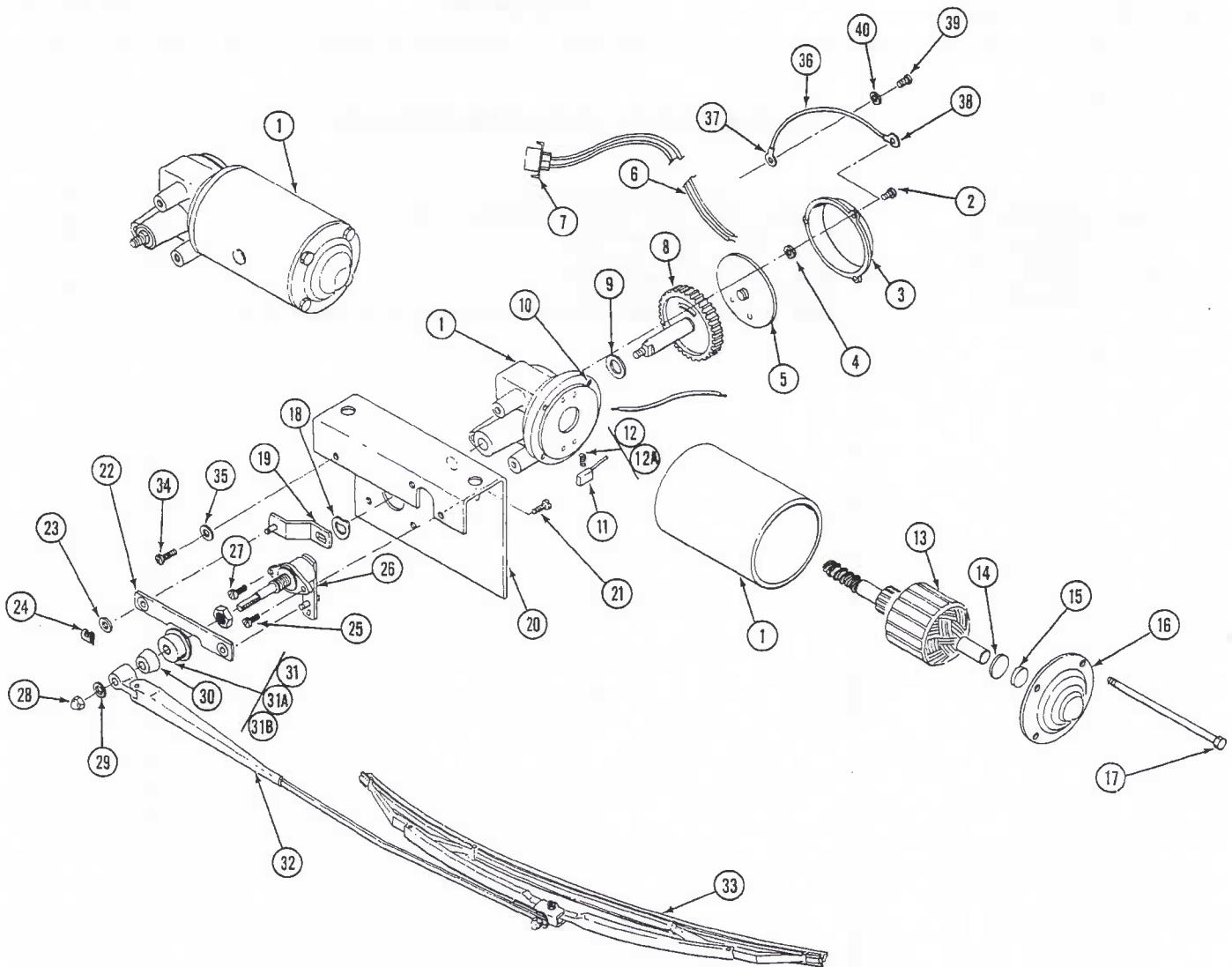
REPAIR PARTS LIST

GROUP 4
MODEL _____

FIG NO.	ITEM NO.	PART NUMBER	ITEM DESCRIPTION	QTY PER UNIT
			<u>INSTRUMENT PANELS (CONT) COACH 00646 & UP</u>	
	34	5106914-03	DECAL, Range selector lever	1
	35	5101054	SWITCH, Pass door step (CH-50031-02)	1
	36	5101418-01	KNOB, Pass door switch	1
	37	5106270-04	LIGHT, Pass door extend	1
		5108665	PLUG, Hole 3/8 dia-black	1
		5108664	COVER, Left panel hole	1
			NOTE: Above 2 items used temporarily as a panel fix	

REPAIR PARTS LIST

GROUP 4 Automotive Elec.
 MODEL 2900 R



SD-454

Figure 4-14. Windshield Wiper Motor, Arm, and Blade

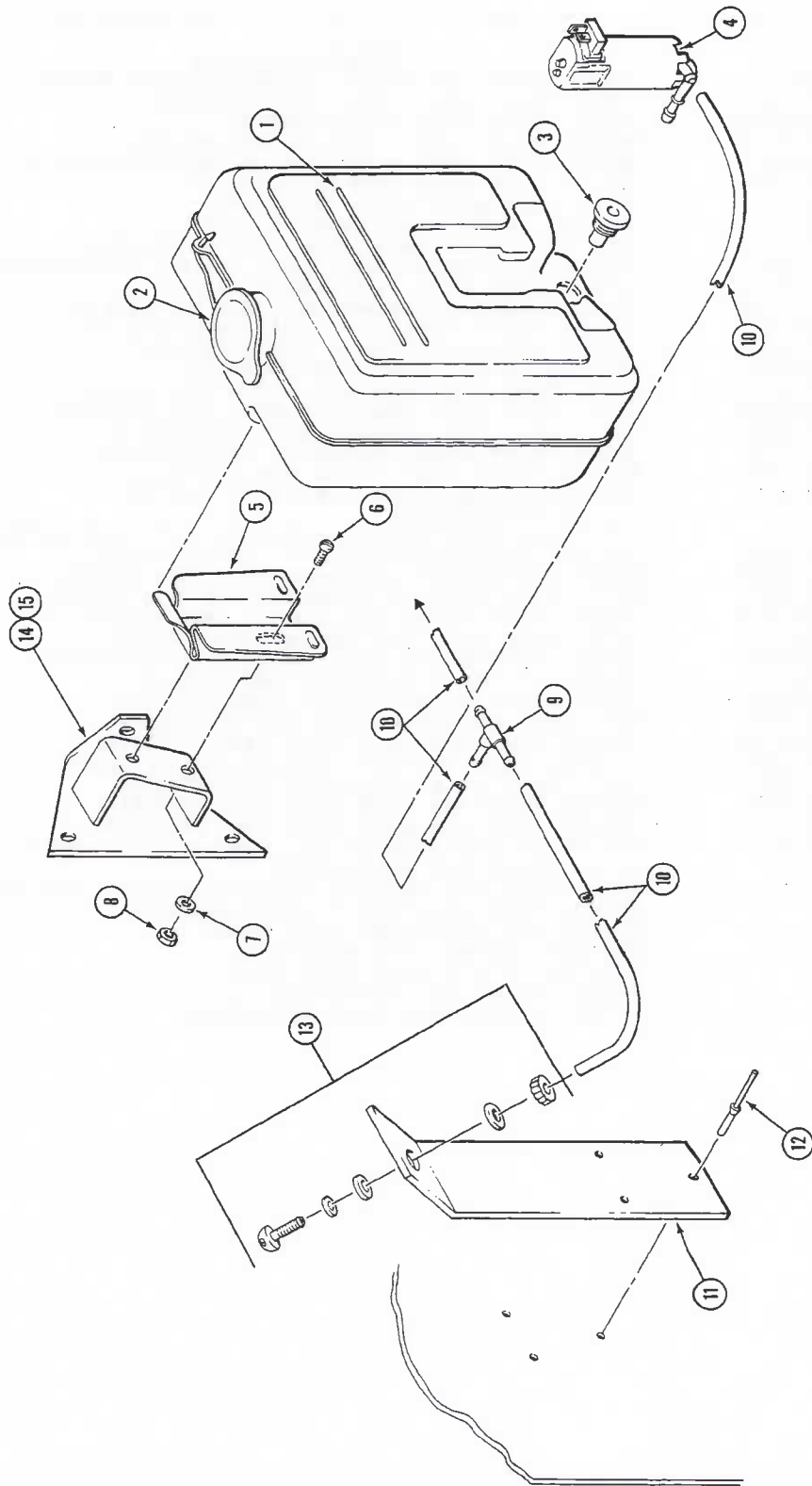
REPAIR PARTS LIST

GROUP 4 Automotive Elec.
MODEL 2900R

FIG NO.	ITEM NO.	PART NUMBER	ITEM DESCRIPTION	QTY PER UNIT
WINDSHIELD WIPERS				
4-14	1	5100970-01	MOTOR, Windshield wiper - front (AMB-WWCI 2K612)	2
	2	5100970-R010	SCREW, Wiper motor cover (AMB SC3080-1)	6
	3	5100970-R011	COVER, Wiper motor (AMB CV721004)	2
	4	5100970-R012	WASHER, Wiper motor, spacing (AMB WA3026)	4
	5	5100970-R013	SWITCH ASSY, Wiper motor parking (AMB PL721077A-2)	2
4-14	5a	5100970-R014	CABLE, Wiper motor (AMB CB721112A-3)	2
	6	5100484	PLUG, Wiper motor cable (MO 1396P)	2
	7	5100489	TERMINAL, Wiper motor cable (MO 1190)	6
	8	5100970-R016	GEAR ASSY, Wiper motor drive (AMB GE721018A-4)	2
	9	5100970-R017	WASHER, Wiper motor drive gear, spacing (AMB WA1794)	2
	10	5100970-R018	SCREW, Wiper motor, set (AMB SC1668)	2
	11	5100970-R019	BRUSH, Wiper motor commutator (AMB BR721018-6)	4
4-14	12	5100970-R020	SPRING, Wiper motor commutator brush (AMB SP7233)	4
	12a	5100970-R021	HOLDER, Wiper motor brush (AMB BH721010A)	2
	13	5100970-R022	ARMATURE, Wiper motor (AMB AT721066A)	2
	14	5100970-R023	DISC, Wiper motor armature, nylon (AMB DC722)	2
	15	5100970-R024	DISC, Wiper motor armature, metal (AMB DC721001)	2
	16	5100970-R025	CAP, Wiper motor armature (AMB CP721048A-2)	2
	17	5100970-R026	SCREW, Wiper motor, fastening (AMB SC3076-7)	4
4-14	18	5100970-R027	WASHER, Wiper motor, bowed (AMB WA1793)	2
	19	5100970-05	ARM, Wiper motor drive, left side (102°76°) (AMB LE721125A-2)	1
	19	5100970-03	ARM, Wiper motor drive, right side (93°) (AMB LE721125A-4)	1
	20	5100970-R028	BRACKET, Wiper motor mounting (AMB BK721005)	2
	21	5100970-R029	SCREW W/LOCKWASHER, Motor mounting (AMB SC1692)	6
	22	5100970-R033	LINK, Wiper motor to arm connecting (AMB LK721014)	2
	23	5100970-R030	WASHER, Wiper motor link spacing (AMB WA1654)	4
4-14	24	5100970-R032	CLIP, Wiper motor link spring (AMB SP7211)	4
	25	5100970-R031	SCREW W/LOCKWASHER, Wiper arm shaft (AMB SC1427)	4
	26	5100970-04	SHAFT ASSY, Wiper arm pivot (AMB 721204A)	2
	27	5100970-R034	SCREW, Wiper arm pivot shaft (AMB WA721033)	4
	28	5100970-R035	NUT, Wiper arm pivot crown (AMB NT721018)	2
	29	5100970-R036	WASHER, Wiper arm pivot shaft (AMB NT721016)	2
4-14	30	5100970-R037	BUSHING, Wiper arm pivot tapered (AMB CP721083)	2
	31	5100970-R038	BOOT, Wiper arm pivot rubber (AMB NT721020)	2
	31a	5100970-R039	WASHER, Wiper arm shaft steel (AMB WA721031)	2
	31b	5100970-R040	WASHER, Wiper arm shaft fiber (AMB WA721029)	2
	32	5100969-03	ARM, Wiper (AMB LE721179-20) (replaces 5100969-01)	2
	33	5100969-04	BLADE, Wiper (AMB BD721022-19)	2
	34	M18066	BOLT, Wiper assy to coach bulkhead (1/4-28 x 1/2 long)	4
	35	M17080	WASHER, Wiper assy bolt to coach bulkhead	4
4-14	36	M16010	GROUND WIRE, Windshield wiper motor	2
	37	M15016	TERMINAL, Ground wire, wiper assy	2
	38	M15016	TERMINAL, Ground wire, wiper assy	2
	39	M25017	SCREW, Ground wire to bulkhead	2
	40	M14017	WASHER, Ground wire screw to bulkhead	2

REPAIR PARTS LIST

GROUP 4 Automotive Elec
 MODEL 2900 R



SD-461

Figure 4-15. Windshield Washer Assy

REPAIR PARTS LIST

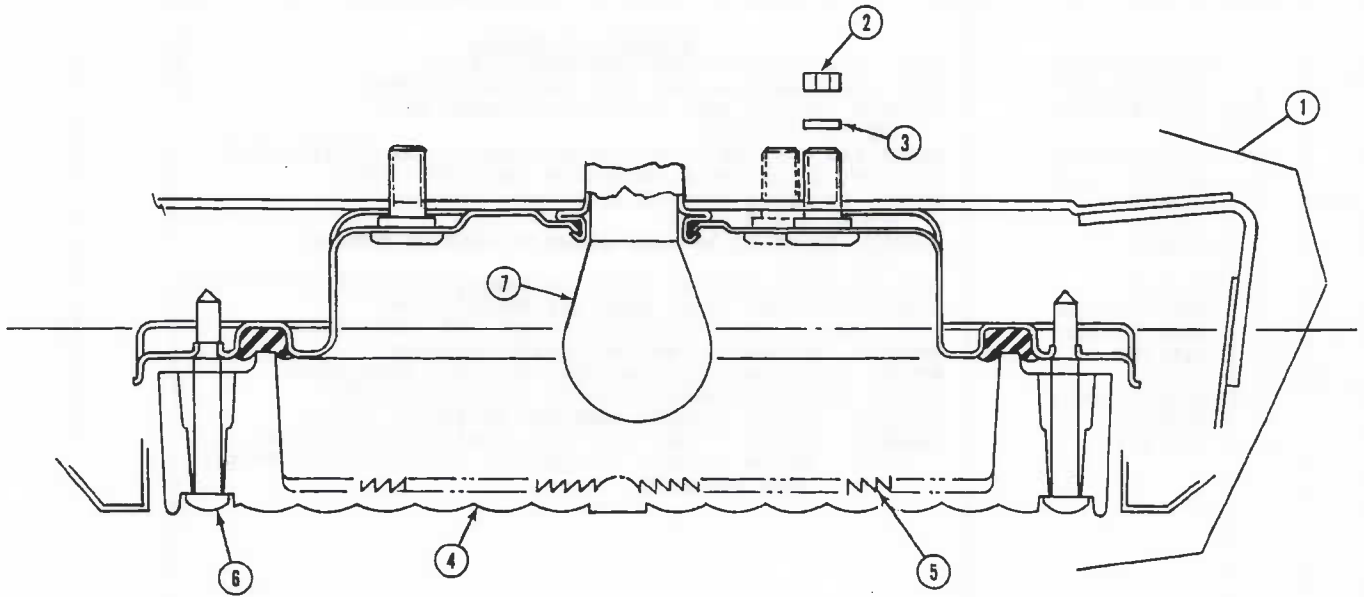
GROUP 4 Automotive Elec.

MODEL 2900R

FIG NO.	ITEM NO.	PART NUMBER	ITEM DESCRIPTION	QTY PER UNIT	
4-15	1	5101097-R006	<u>WINDSHIELD WASHER</u>		
	2	5101097-R007	TANK, Windshield washer (RB 060357-0520)	1	
	3	5101097-R005	CAP, Windshield washer tank (RB 060353-0090)	1	
			BUSHING, Washer tank to motor and pump assy (RB 949320-3427)	1	
	4	5101097-R008	MOTOR AND PUMP ASSY, Windshield washer (RB 060210-0740)	1	
	5	5101097-R001	BRACKET, Washer tank, mounting (RB 060337-0520)	1	
	4-15	6	M14252	SCREW, Mounting bracket to adapter bracket (10-32 x 1/2 long)	2
		7	M17033	WASHER, Mounting bracket screw to adapter bracket (#10 flat)	2
		8	M17043	NUT, Mounting bracket screw to adapter bracket (10-32 hex)	2
		9	5101097-R004	T-JOINT, Washer vinyl pipe (RB 060382-0030)	1
		10	5101097-R003	PIPE, Washer tank to nozzle, vinyl (RB 060381-0230)	10 ft
		11	5101503	BRACKET, Windshield washer nozzle mounting	2
	4-15	12	M25076	RIVET, Nozzle mounting bracket to front nose panel	6
		13	5101097-R002	NOZZLE ASSY, Windshield washer (RB 060430-0460)	2
		14	5101505	BRACKET, Washer - right side MTG to serial 00065	1
	15	5101484	BRACKET, Washer - left side MTG, serial 00066 and up	1	
			NOTE: Above bracket also mounts brake warning switch. (See Group 9)		

REPAIR PARTS LIST

GROUP 4 Automotive Elec.
MODEL 2900 R



SD-246

Figure 4-16. Front Signal Lights.

FIG NO.	ITEM NO.	PART NUMBER	ITEM DESCRIPTION	QTY PER UNIT
FRONT SIGNAL LIGHTS				
4-16	1	5100388-01	LIGHT ASSY, Front, signal LH (GMGL 911867)	1
	1	5100388-02	LIGHT ASSY, Front, signal, RH (GMGL 911868)	1
	2	M17070	NUT, Light attaching (1/4-20)	4
	3	M17024	WASHER, Light attaching (1/4)	4
	4	5100388-R003	LENS, LH lamp assy, amber (GMGL 5963155)	1
	4	5100388-R004	LENS, RH lamp assy, amber (GMGL 5963156)	1
	5	5100388-R001	WICK, Front lamp assy, drain (GMGL 5951603)	2
4-16	6	5100388-R002	SCREW, Front lamp assy (GMGL 5958816)	4
	7	5100388-R005	BULB, Front lamp assy, clear (GE 1157)	2

REPAIR PARTS LIST

GROUP 4 Automotive Elec.
MODEL 2900R

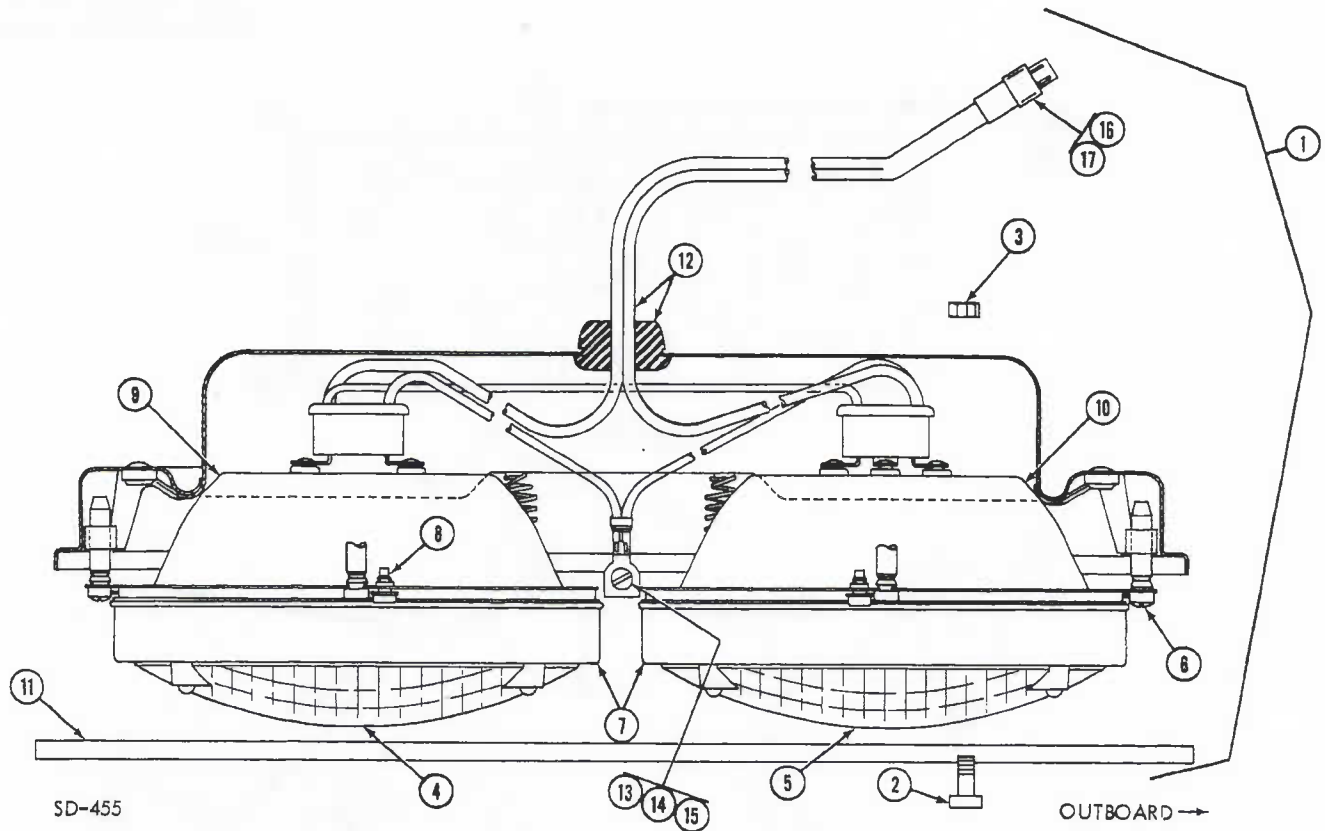


Figure 4-17. Headlights (Left Hand Assembly Shown)

FIG NO.	ITEM NO.	PART NUMBER	ITEM DESCRIPTION	QTY PER UNIT
HEADLIGHTS				
4-17	1	5100349-M04	HEADLIGHT ASSY, Dual LH (sup 5100390-01, GMGL 5950197)	1
	1	5100349-M05	HEADLIGHT ASSY, Dual RH (sup 5100390-02, GMGL 5950198)	1
	2	M14052	SCREW, Headlight, attaching (#10 x 3/4)	16
	3	M25037	NUT, Headlight, attaching screw, speed	16
	4	5100390-R006	SEALED UNIT, Dual headlamp assy, upper beam (GE 4001)	2
	5	5100390-R007	SEALED UNIT, Dual headlamp assy, upper beam (GE 4000)	2
4-17	6	5100390-R008	SCREW, Sealed unit, adjusting (GMGL 5960797)	8
	7	5100390-R005	RETAINING RING ASSY, Sealed unit (GMGL 5948828)	4
	8	5100390-R009	SCREW, Retaining ring assy (GMGL 924552)	8
	9	5100390-R002	RING, Mounting, LH, upper beam sealed unit (GMGL 5948825)	1
	9	5100390-R001	RING, Mounting, RH, upper beam sealed unit (GMGL 5948824)	1
	10	5100390-R004	RING, Mounting, LH, lower beam sealed unit (GMGL 5948827)	1
	10	5100390-R003	RING, Mounting, RH, lower beam sealed unit (GMGL 5948826)	1
	11	5100389	DOOR, Dual headlamp (GMGL 5950199)	2
4-17	12	5100390-R010	WIRING, Dual headlamp (GMGL 5950211)	2
	13	M14252	SCREW, Ground wire, attaching (10-32 x 1/2)	2
	14	M17043	NUT, Ground wire attaching screw (10-32)	2
	15	M17033	WASHER, Ground attaching screw (#10 flat)	2
	16	5101130	TERMINAL, Male, headlight assy (DEL 92987)	4
	17	5101125	CONNECTOR, Headlight assy (DEL 93782)	2

REPAIR PARTS LIST

GROUP 4 Automotive Elec.
 MODEL 2900 R

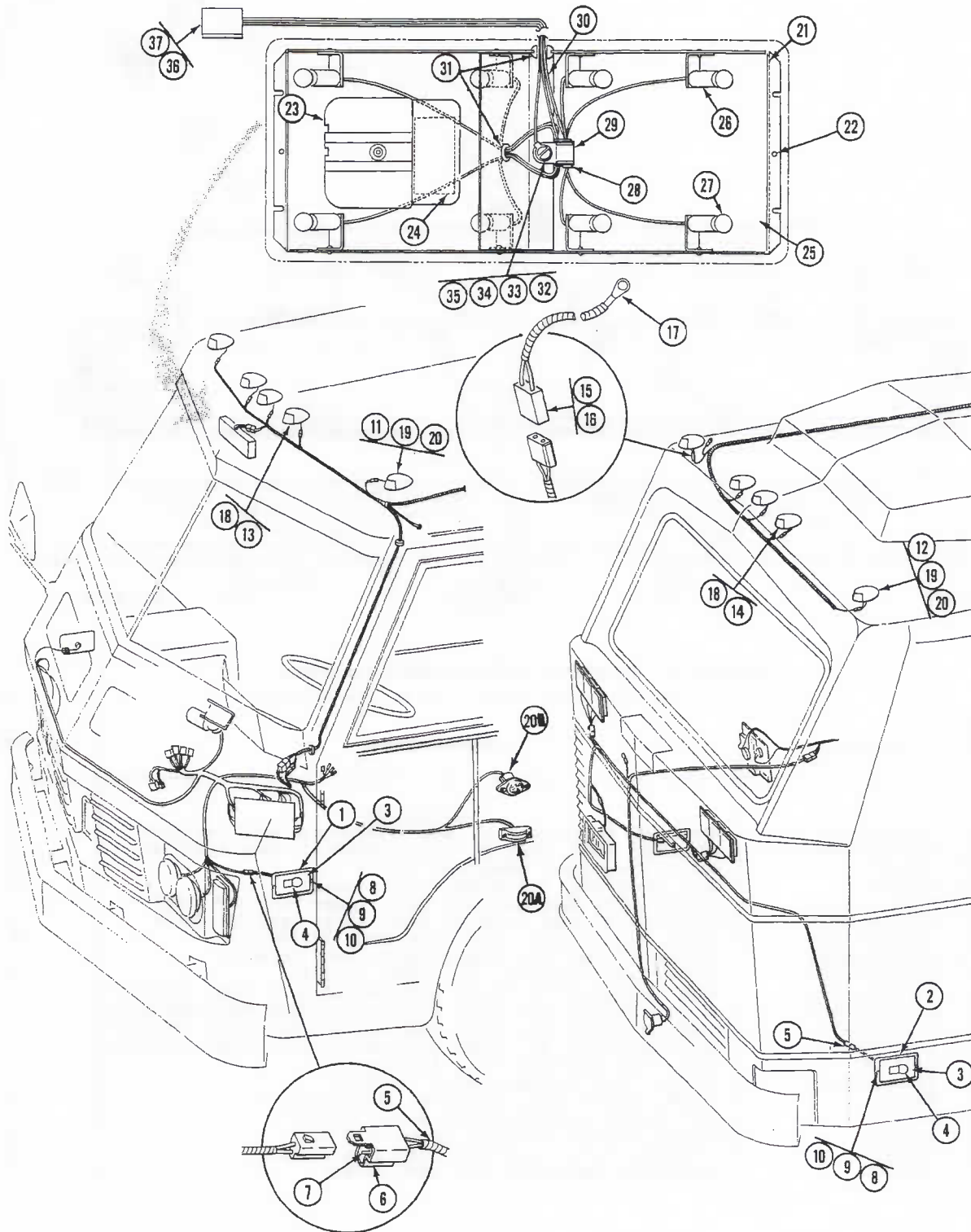


Figure 4-18. Marker Lights, Identification Lights, and Clock Assembly

SD-1051

REPAIR PARTS LIST

GROUP 4 AUTOMOTIVE ELEC.
MODEL 2900R

FIG NO.	ITEM NO.	PART NUMBER	ITEM DESCRIPTION	QTY PER UNIT
<u>MARKER AND IDENTIFICATION LIGHTS</u>				
4-18	1	5100201	RUNNING LIGHT, Front (amber) (GMGL 916342)	2
	2	5100202	RUNNING LIGHT, Rear (red) (GMGL 916087)	2
	3	5101955	BEZEL, Side marker light (coach 00425 and up)	4
NOTE: ABOVE ITEM AVAILABLE IN SUNDANCE YELLOW OR ALL WHITE.				
		M25037	NUT, Bezel attaching	8
		M14010	SCREW, Bezel attaching	8
	4	5101110	LAMP, Running light (GE 194)	4
		5100349-R001	WIRE ASSY, Running light (consists of next three itmes)	1
	5	5100200	SOCKET W/WIRE, Running light lamp	4
4-18	6	5100565	CONNECTOR, Running lamp wire (MO 154P)	4
	7	5100489	TERMINAL, Running lamp wire (male) (MO 1190)	8
	8	M14274	SCREW, Light to body	20
	9	M17078	NUT, Light to body	20
	10	M17001	WASHER, Light to body	20
	11	5100099	LIGHT ASSY, Identification and clearance, amber (PE 112A) (coach 00001 to 00529)	5
		5100098-R002	BODY, ID & clearance light chrome	5
		5100098-R003	BASE, ID & clearance light chrome body	5
	11	5106010 (5106057-02)	LIGHT ASSY, Identification and clearance, amber (DI 2-828A, 12 volt) (coach 00530 and up)	5
4-18	12	5100098	LIGHT ASSY, Identification and clearance, red (PE 112R) (coach 00001 to 00529)	5
	12	5106009 (5106057-01)	LIGHT ASSY, Identification and clearance, red (DI 2-828R, 12 volt) (coach 00530 and up)	5
	13	5100099-R001	LENS, Identification light, amber (PE 112-15A) (coach 00001 to 00529)	5
	13	5106010-R001	LENS, Identification light, amber (DI 77-533A) (coach 005030 and up)	5
	14	5100098-R001	LENS, Identification light, red (PE 112-15R) (coach 00001 to 00529)	5
	14	5106009-R002	LENS, Identification light, red (DI 77-533R) (coach 00530 and up)	5
	15	5100565	CONNECTOR, Identification light (MO 1545P)	10
	16	5100489	TERMINAL, Identification light (MO 02-09-2103)	20
	17	M15015	TERMIANL, Identification light (HO R18915) (coach 00001 to 00529)	10
4-18	18	M15162	BULB, Identification light (GE-67) (coach 00001 to 00529)	10
	18	5106009-R001	BULB, Identification light (GE-1155) (coach 00530 and up)	10
	19	M17129	LOCKWASHER, Light assy ground (#10) (coach 00001 to 00529)	10
	20	M25044	RIVET, Light assy ground (coach 00001 to 00529)	20
		M16010	WIRE, Identification light ground (8" per light) (coach 00530 and up)	7 ft
		5100527	SPLICE, Ground wire (coach 005030 and up)	10
NOTE: Dietz lights used from 00530 and up are interchangeable with Peterson lights only in sets, 5 front, 5 rear.				
<u>SIDE MOUNTED SIGNAL LIGHTS</u>				
4-18	20A	5106896	LIGHT, Turn signal (YA 1080A) (coach 00642 to 00845)	2
		5106896-R001	GASKET, Base (YA 32169)	1
		5106896-R003	BULB, Light (YA 3731) (GE-1142)	1
		5106896-R002	LENS, Light red (YA 31249)	1
		5106896-R004	LENS, Light amber (YA 31250)	1
		5106896-R005	GASKET, Lens (YA 32168)	1
		5106896-R006	COVER, Light (YA 3017)	1
		5106896-R007	SCREW, Light cover (YA 13172) (1/4-20 x 3/8)	2

REPAIR PARTS LIST

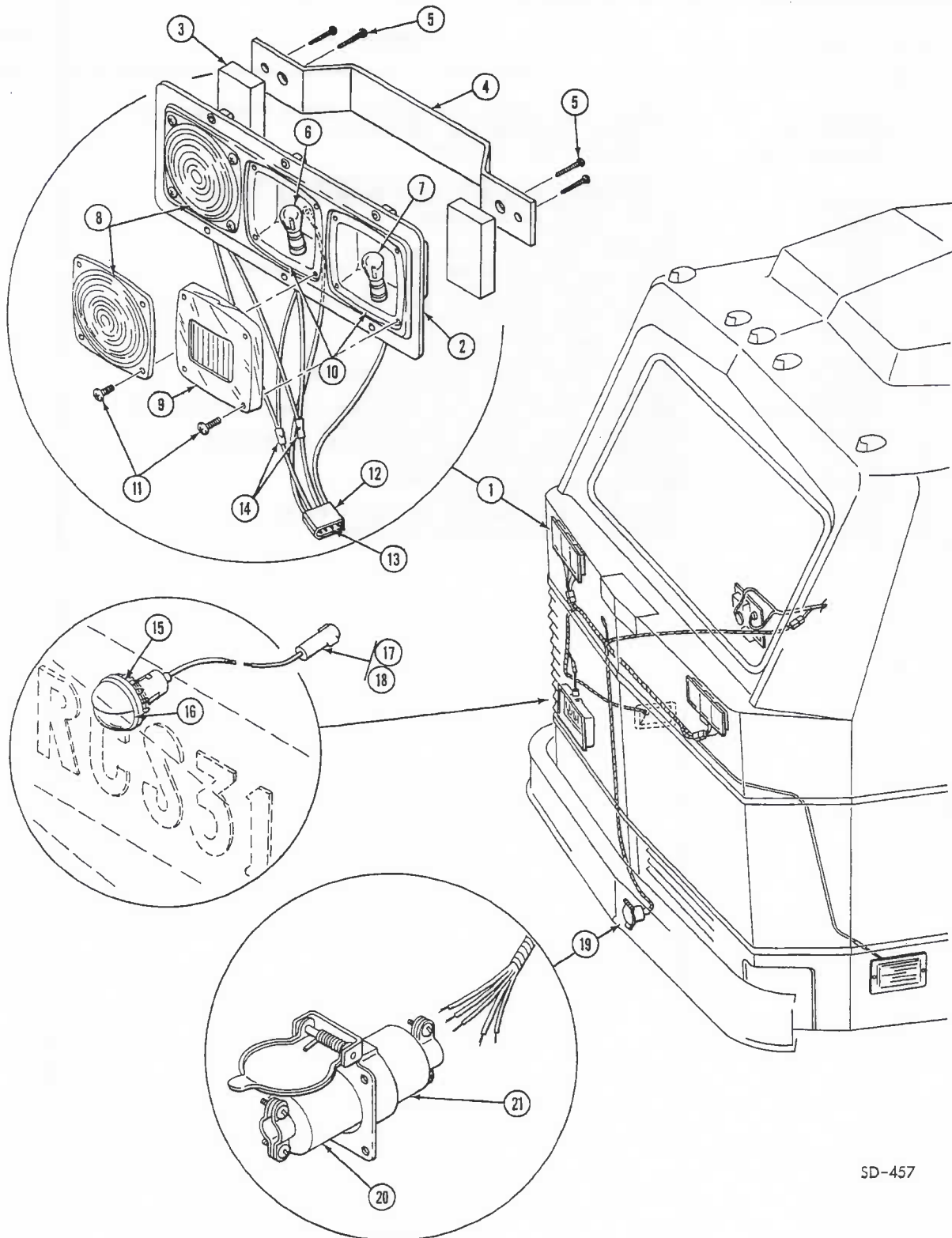
GROUP 4 AUTOMOTIVE ELEC.

MODEL 2900R

FIG NO.	ITEM NO.	PART NUMBER	ITEM DESCRIPTION	QTY PER UNIT
4-18	20B	5108440	LIGHT, Turn signal (TL 2030ly) (coach 00846 and up)	2
		5108440-R002	LENS, Light yellow (TL 99005y)	1
		5100125-R006	BULB, Light (GE 1156)	1
			<u>CLOCK ASSEMBLY (COACH 00001 THROUGH 00100)</u>	
	21	5100631	CLOCK AND SEAT BELT WARNING PANEL ASSY, Driver's	1
	22	M25029	RIVET, Panel to headliner	4
	23	5100647	CLOCK, Driver's	1
4-18	24	M15052	BATTERY, Driver's clock (C size)	1
		5100648	HAND, Assy clock (minute, hour and seconds)	1
	25	5101247-M01	FACIA, Clock and belt, warning	1
		M14225	SCREW, Facia, attaching (No. 4-40 x 1/2)	2
	26	5100582	SOCKET, Lamp bulb (CH 2504)	8
		M25029	RIVET, Lamp bulb socket	8
	27	5100643	BULB, Clock panel (GE-53)	8
	28	5100529	SPLICE, Clock panel wire (HO B2151B)	2
	29	5100639	CLAMP, Clock panel wire splice	2
4-18	30	5100631-R001	HARNES, Clock panel to identification lights hookup	1
		5100644	GROMMET, Wire harness to metal box	2
	32	M15015	TERMINAL, Wire aharness, attaching (HO R18915)	1
	33	M14226	SCREW, Wire harness terminal	1
	34	M17047	WASHER, Wire harness screw	1
	35	M17043	NUT, Wire harness screw	1
	36	5100489	TERMINAL, Wire harness (MO 02-09-2103)	1
	37	5100484	CONNECTOR, Wire harness (MO 1369P)	1

REPAIR PARTS LIST

GROUP 4 Automotive Elec.
 MODEL 2900R



SD-457

Figure 4-19. Rear Taillights and Trailer Connection

REPAIR PARTS LIST

GROUP 4 AUTOMOTIVE ELEC.
MODEL 2900R

FIG NO.	ITEM NO.	PART NUMBER	ITEM DESCRIPTION	QTY PER UNIT
<u>REAR TAILLIGHTS</u>				
4-19	1	5101448-01	LIGHT ASSY, Tail, turn and backup, left side	1
	1	5101448-02	LIGHT ASSY, Tail, turn and backup, right side	1
	2	5100125-R005	HOUSING, Taillight (MON 29-1099-01)	2
	3	5101907	BLOCK, Mounting, taillight (1/2 x 2 x 4 hardwood)	4
	4	5101908	STRAP, Retaining, taillight housing	2
	5	M14018	SCREW, Wood, strap to mounting block	8
4-19	6	5100388-R005	BULB, Stop, turn (GE-1157)	4
	7	5100125-R006	BULB, Backup (GE-1156)	2
	8	5100125-R001	LENS, Stop, turn (red) (MON 10-1057-02)	4
	9	5100125-R002	LENS, Backup (red and clear) (MON 19-2009-01)	2
	10	5100125-R003	GASKET, Lens (MON 51-9129-01)	6
	11	5100125-R004	SCREW, Lens (MON 23-0133-19)	24
4-19	12	5101139	CONNECTOR, Tail-turn-backup light wiring, male, 4 pin (MO-P103-09-2042)	2
	13	5100489	TERMINAL, Tail-turn-backup light wiring, male (MO-02-09-2103)	8
	14	5100529	SPLICE, Tail-turn-stoplight wiring, No. 10 to 12 wire (DEL 21430)	4
		M15039	SLEEVE, Taillight wiring	1
	15	M15138	LIGHT ASSY, License plate (DI 12-022) (SUP 5101050)	1
			Note: Above item used coaches 00001 to 00953	
	15	5108557	LIGHT & BRACKET, License plate (coach 00954 & up)	1
	16	M15162	BULB, License plate (GE-67) (coach 00001 to 00953)	1
	17	5100482	CONNECTOR, Light assy, license (MO P03-09-2011)	1
4-19	18	5100489	TERMINAL, Light assy, license (MO 02-09-2103) NOTE: Following three items used on coach 00001 to 00424 only. No trailer connector on coach 00425 and up.	2
	19	5101099	CONNECTOR, Trailer (inc plug and socker) (POL 210)	1
	20	5101099-R001	PLUG, Trailer connector (POL 210P)	1
	21	5101099-R002	SOCKET, Trailer connector (POL 210S)	1

REPAIR PARTS LIST

GROUP 4 Automotive Elec.
 MODEL 2900R

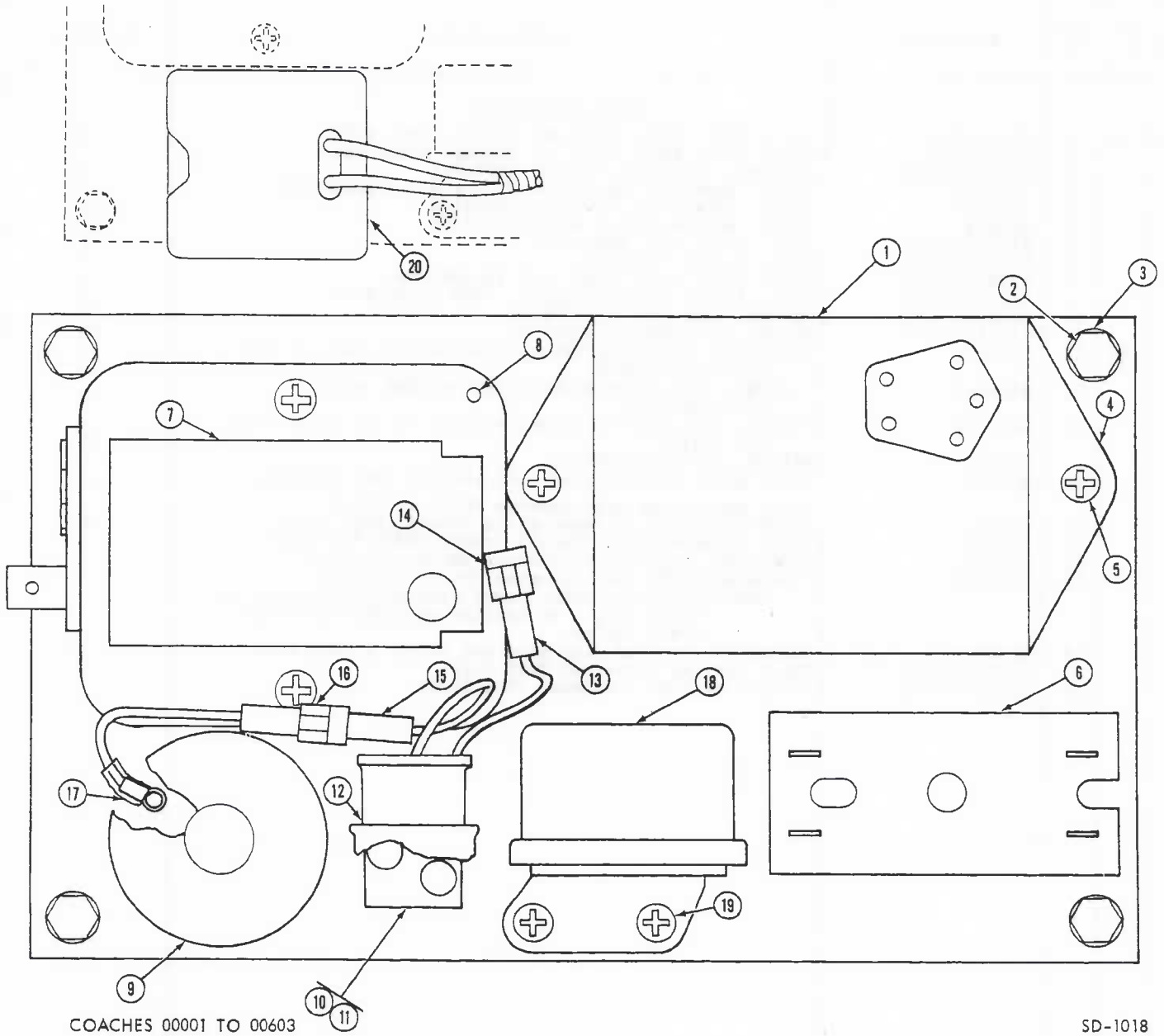


Figure 4-20. Ignition Panel - In Engine Compartment

REPAIR PARTS LIST

GROUP 4 Automotive Elec.

MODEL 2900R

FIG NO.	ITEM NO.	PART NUMBER	ITEM DESCRIPTION	QTY PER UNIT	
<u>IGNITION PANEL (IN ENGINE COMPARTMENT)</u>					
4-20	1	5101283	PANEL, Engine ignition (less components)	1	
	2	M18061	SCREW, Ignition panel attaching (1/4-20 x 1/2)	4	
	3	M17024	WASHER, Ignition panel lock (1/4)	4	
4-20	4	5101339	CONTROL, Electric ignition (CCMI-3656900)	1	
	5	M14017	SCREW, Ignition attaching (No. 10 x 1/2)	2	
	6	5100011-R149	NUT, Electronic ignition (CCMI-134551)	2	
		5101340	RESISTOR, Ignition ballast (CCMI-3656199)	1	
		M17070	NUT, Resistor attaching (CCMI-120375)	1	
	7	5100011-R018	WASHER, Resistor attaching (CCMI-6022185)	1	
		M14038	SCREW, Resistor attaching (No. 10 x 1)	1	
		5101792-03	REGULATOR, Ignition voltage (CCMI-3438630, 85 amp alt)	1	
	4-20	8	5100011-R095	RETAINER, Voltage regulator (CCMI-2926861)	1
		9	M14017	SCREW, Regulator attaching (No. 10 x 1/2)	2
		10	5101095	BUZZER, Backup warning (DE-A2931) (coach 00001 to 00603)	1
M14256			SCREW, Buzzer attaching (No. 8-32 x 3/8)	1	
11		M17080	WASHER, Buzzer attaching screw (No. 8)	1	
		5100445	CONNECTOR, Backup warning flash (CH-3032) (coach 00001 to 00603)	1	
		M14017	SCREW, Connector attaching (No. 10 x 1/2) (coach 00001 to 00603)	2	
4-20		12	5100817	FLASHER, Backup lights (TSL-552) (SUP 5101354) (coach 00001 to 00603)	1
		13	5100482	CONNECTOR, Flasher wiring (M)-P03-09-2011) (coach 00001 to 00603)	2
		14	5100489	TERMINAL, Flasher wiring (MO-02-09-21-3) (coach 00001 to 00603)	2
	15	5100483	CONNECTOR, Flasher wiring (MO-R1-03-09-1011) (coach 00001 to 00603)	1	
	16	5100488	TERMINAL, Flasher wiring (MO-02-09-1103) (coach 00001 to 00603)	1	
	17	M15040	SLEEVE, Flasher wiring shrink (1/8 dia) (coach 00001 to 00603)	1	
	4-20	18	5101093	RELAY, Ignition by-pass (ES-13445-8-25AMP)	1
19		M14017	SCREW, Relay attaching (No. 10 x 1/2)	2	
20		5108120-21	SWITCH, Emission electronic speed (CCMI-3874129) (coach 00957 & up)	1	

REPAIR PARTS LIST

GROUP 4 Automotive Elec
 MODEL 2900 R

SD-1003

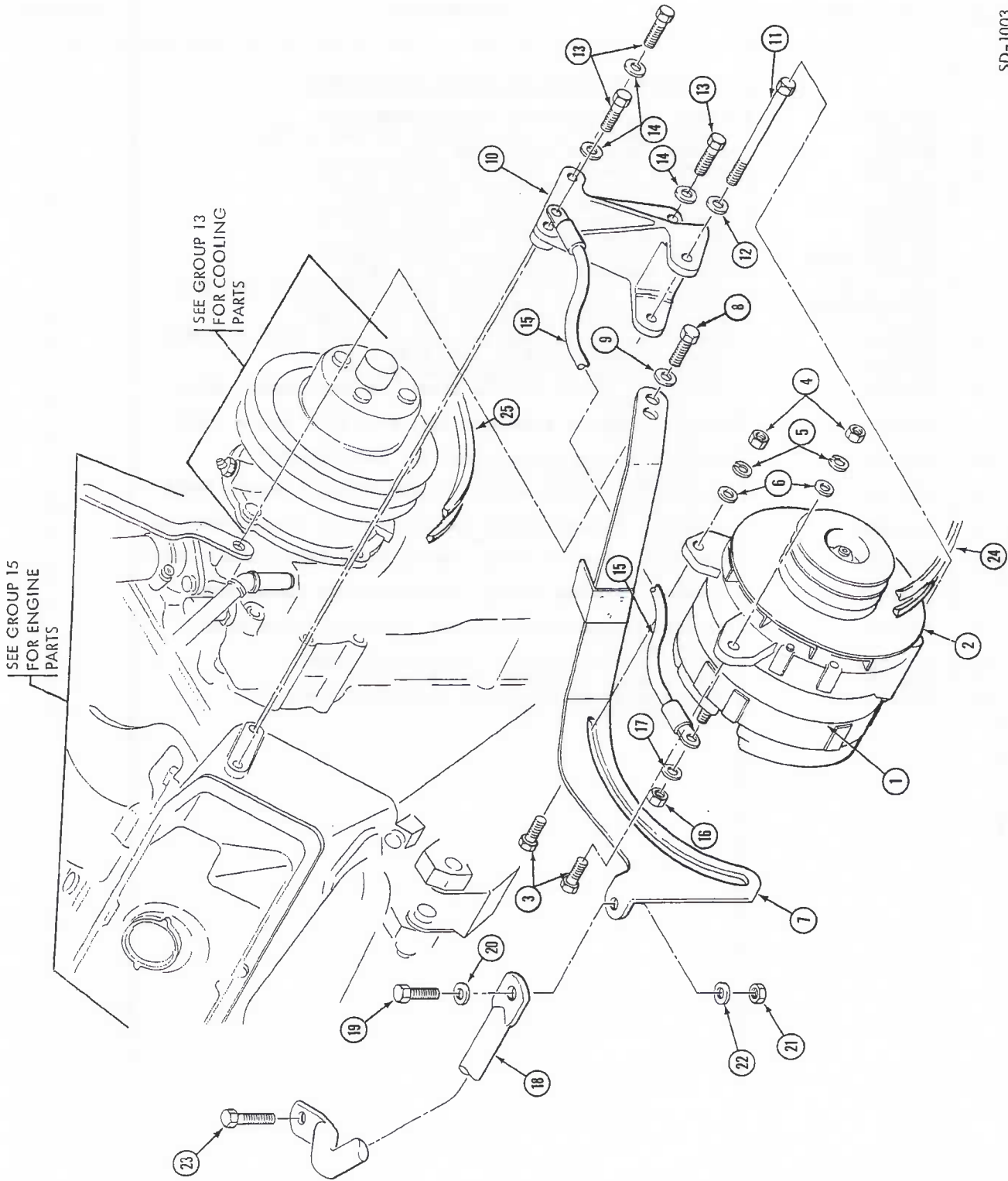


Figure 4-21. Main Engine Alternator and Mounting

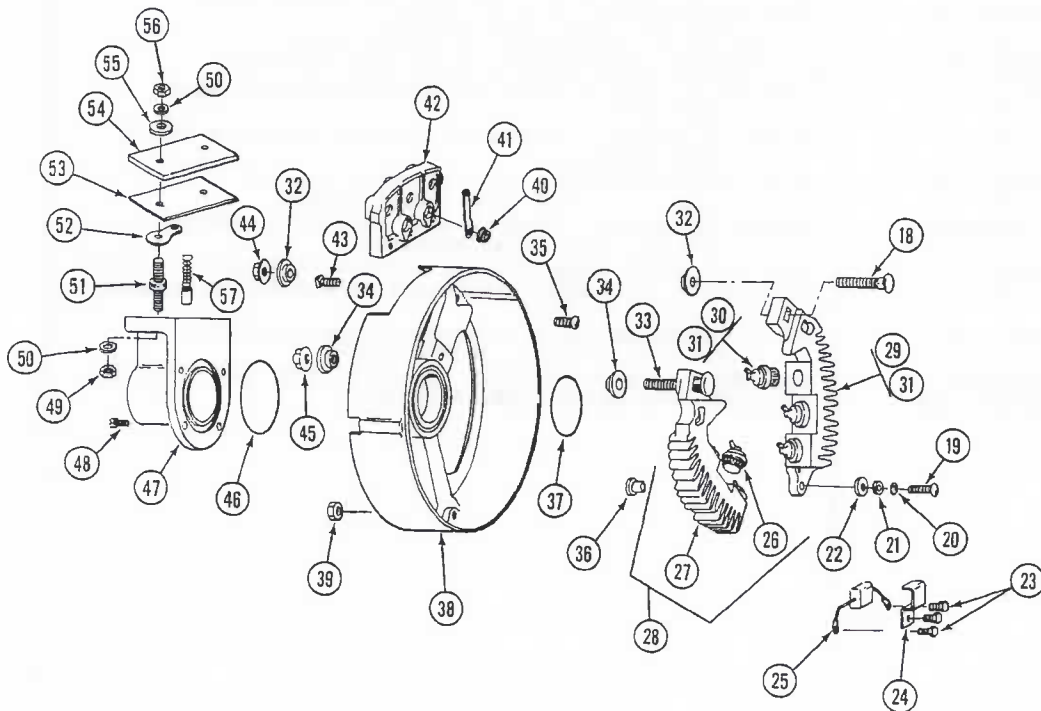
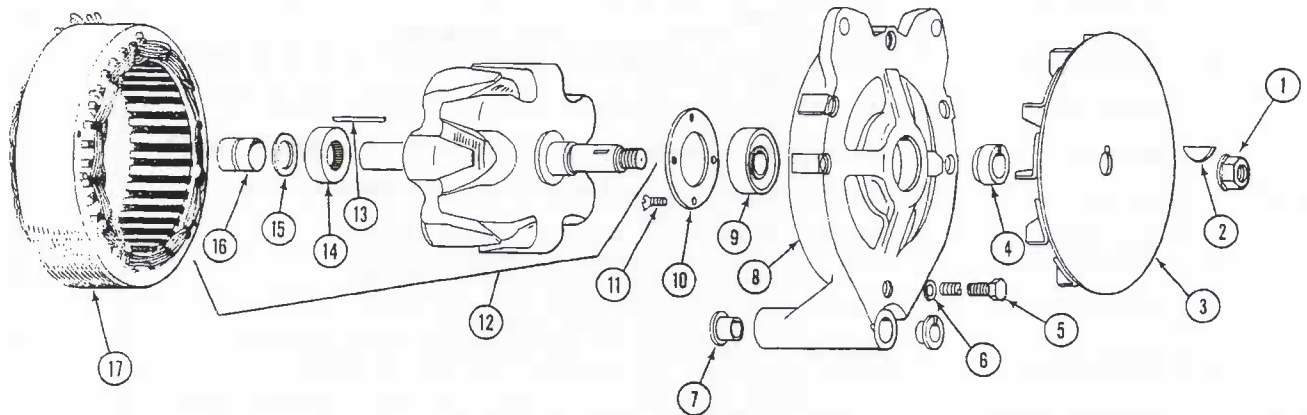
REPAIR PARTS LIST

GROUP 4 Automotive Elec.
MODEL 2900R

FIG NO.	ITEM NO.	PART NUMBER	ITEM DESCRIPTION	QTY PER UNIT
			<u>MAIN ENGINE ALTERNATOR W/ATTACHING HARDWARE</u>	
4-21	1	5101792-01	ALTERNATOR, 85 amp (CCMI 3412354) (LN-7502A) (see fig. 4-22)	1
		5101792-03	REGULATOR, 85 amp alternator (CCMI-3438630) (LN-R001-5013RC)	1
	2	5101792-02	PULLEY ASSY, Alternator (CCMI 2444576)	1
	3	5101792-09	BOLT W/WASHER, Alternator adjusting (5/16-20 x 1-1/4 long) (CCMI 6022242)	2
	4	5101792-10	NUT, Alternator adjusting bolt to support (5/16-20) (CCMI 118614)	2
	5	M17042	LOCKWASHER, Alternator adjusting bolt to support, split (5/16 ID)	2
4-21	6	M17005	WASHER, Alternator adjusting bolt to support, flat (5/16 ID, nom)	2
	7	5101792-04	SUPPORT, Alternator mounting (CCMI 3462876)	1
	8	5100011-R141	BOLT, Alternator support to engine block (3/8-16 x 1-1/2 long) (CCMI 181130)	1
	9	5100011-R010	WASHER, Alternator support bolt to engine block (3/8 ID, nom) (CCMI 6022190)	1
	10	5101795	BRACKET, Alternator to engine block (CCMI 3671107)	1
	11	5101792-07	BOLT, Alternator to bracket (3/8-16 x 4 long) (CCMI 433111)	1
4-21	12	5100011-R010	WASHER, Alternator bolt to bracket, flat (3/8 ID, nom) (CCMI 6022190)	1
	13	5100011-R141	BOLT, Alternator bracket to engine block (3/8-16 x 1-1/2 long) (CCMI 181130)	3
	14	5100011-R010	WASHER, Alternator bracket bolt to engine block (3/8 ID, nom) (CCMI 6022190)	3
	15	5101357-10	GROUND STRAP, Alternator to engine block	1
	16	M17070	NUT, Ground strap to alternator stud (1/4-20)	1
	17	M17024	LOCKWASHER, Ground strap to alternator stud, split (1/4 ID)	1
4-21	18	5101792-05	STRAP, Slightment, alternator support to engine block (CCMI 3698936)	1
	19	5100011-R141	BOLT, Alignment strap to alternator support (3/8-16 x 1-1/2 long) (CCMI 181130)	1
	20	5100011-R010	WASHER, Alignment strap bolt to alternator support (3/8 ID, nom) (CCMI 6022190)	1
	21	M17093	NUT, Alignment strap bolt to alternator support (3/8-16)	1
	22	M17007	LOCKWASHER, Alignment strap bolt to alternator support, split (3/8 ID)	1
	23	5100011-R371	BOLT, Intake manifold, alignment strap to engine (7/16-20 x 1-3/4) (CCMI-182757)	1
	24	5100960-05	BELT SET, Alternator drive (GR-8335) (SUP 5101792-13)	1
	25	5100011-R002	BELT SET, Fan drive (CCMI-3675433)	1

REPAIR PARTS LIST

GROUP 4 Automotive Elec.
 MODEL 2900 R



SD-459

Figure 4-22. Alternator Assy (Model 7502A)

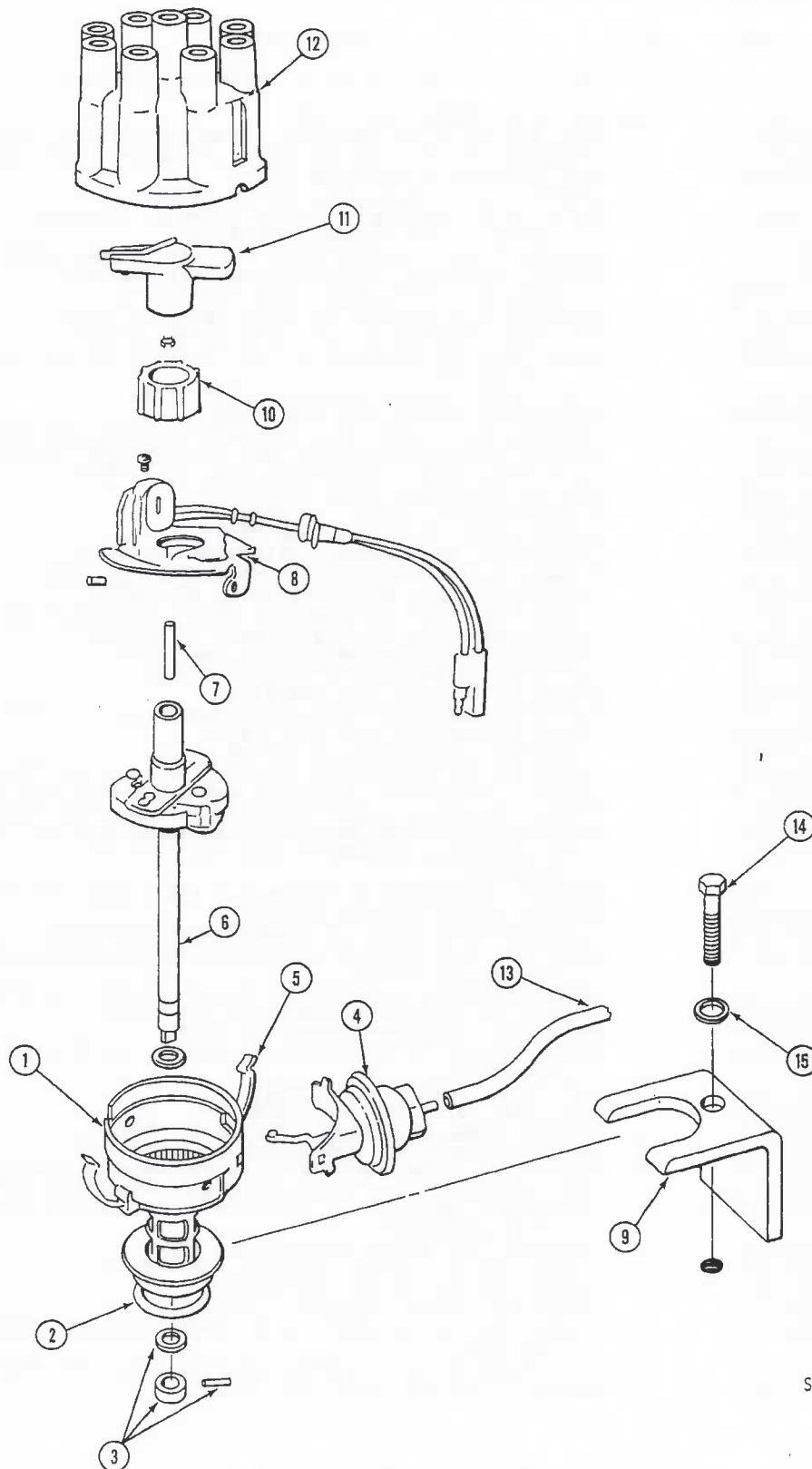
REPAIR PARTS LIST

GROUP 4 Automotive Elec.
MODEL 2900R

FIG NO.	ITEM NO.	PART NUMBER	ITEM DESCRIPTION	QTY PER UNIT	
4-22	1	5101792-01	ALTERNATOR ASSEMBLY, (LN 7502A)	1	
	2	5101792-R020	NUT, Fan to rotor assembly, attaching (1/2-20) (LN76985)	1	
	3	5101792-R021	WOODRUFF KEY, Fan to fan spacer, attaching (#8) (LN 6399)	1	
	4	5101792-R055	FAN, Alternator assy (LN 75594)	1	
	5	5101792-R022	SPACER, Fan to D.E. housing (LN 59225)	1	
4-22	6	5101792-R024	SCREW, D.E. housing to Stator housing, attaching (10-32 x 3-5/8 long) (LN 59972)	3	
	7	5101792-R025	WASHER, Housing attach bolt, Belleville (LN 75451)	3	
	8	5101792-R056	INSERT, Mounting, alternator spindle (LN 73651)	2	
	9	5101792-R057	HOUSING, D.E. alternator assy (LN 71177)	1	
	10	5101792-R026	BEARING, D.E. housing to rotor assy (LN 76252)	1	
	11	5101792-R027	RETAINER, Bearing to D.C. housing (LN 59234)	1	
4-22	12	5101792-R058	SCREW, Bearing retainer to D.C. housing (10-32 x 7/16 lg) (LN 58754)	4	
	13	5101792-R028	ROTOR ASSY, Engine alternator (LN 77794)	1	
	14	5101792-R059	SLOT WEDGE, Rotor assy (LN 30300)	1	
4-22	15	5101792-R029	BEARING, S.R. rotor assy to Stator housing (LN 26853)	1	
	16	5101792-R060	WASHER, Insulation, rotor assy to slip ring (LN 57626)	1	
	17	5101792-R061	SLIP RING, Rotor, alternator assy (LN 57462)	1	
	18	5101792-R030	STATOR, Alternator assy (LN 77792)	1	
	19	5101792-R031	SCREW, Terminal, mount (LN 58432)	1	
	20	5101797-R032	SCREW, Mount, attaching (LN 78337)	2	
	21	5101792-R033	LOCKWASHER, Mount screw, attaching (LN 2434)	2	
4-22	22	5101792-R034	WASHER, Guard, mount screw, attaching (LN 2385)	2	
	23	5101792-R035	INSULATOR, Mount attaching screw (LN 52068)	2	
	24	5101792-R036	SCREW, Capacitor to capacitor clamp, attaching (LN 73543)	3	
	25	5101792-R037	CLAMP, Capacitor, alternator assy (LN 73760)	1	
	26	5101792-R062	CAPACITOR ASSY, Alternator assy (LN 73541)	1	
	27	5101792-R063	RECTIFIER, Alternator mount (LN 77320)	3	
	28	5101792-R064	MOUNT, Alternator assy (LN 77211)	1	
4-22	29	5101792-R065	RECTIFIER AND MOUNT ASSY, Alternator assy (LN 77318)	1	
	30	5101792-R066	MOUNT, Alternator assy (LN 77212)	1	
	31	5101792-R067	RECTIFIER, Alternator mount (LN 77325)	3	
	32	5101792-R038	RECTIFIER AND MOUNT ASSY, Alternator assy (LN 77323)	1	
	33	5101792-R039	BUSHING INSULATION, Rectifier and mount assy (LN 73545)	2	
	34	5101792-R040	SCREW, Terminal, rectifier and mount assy (LN 78336)	2	
	35	5101792-R041	BUSHING INSULATION, Rectifier and mount assy (LN 73546)	2	
4-22	36	5101792-R042	SCREW, Rectifier and mount assy (10-32 x 1/2 lg) (LN 5179)	2	
	37	5101792-R068	BUSHING INSULATION, Rectifier and mount assy (LN 73547)	2	
	38	5101792-R069	O-RING, Stator housing (LN 57597)	1	
	39	5101792-R043	STATOR HOUSING ASSY, Alternator assy (LN 71098)	1	
4-22	40	5101792-R044	STOP NUT, D.E. housing to Stator housing attach screw (10-32) (LN 26175)	3	
	41	5101792-R045	LOCKNUT, Jumper to insulator screw (10-32) (LN 31587)	3	
	42	5101792-R070	JUMPER, To alternator insulator (LN 73657)	3	
	43	5101792-R046	INSULATOR, Alternator assy (LN 73635)	1	
	44	5101792-R047	SCREW, Jumper to insulator, attaching (10-32 x 1/2 lg) (LN 73659)	3	
	45	5101792-R048	NUT, Tenz (1/4-20) (LN 59982)	1	
	46	5101792-R071	NUT, Tenz (5/16-18) (LN 73009)	1	
	47	5101792-R072	SEALING RING, Br. holder housing (LN 57611)	1	
	48	5101792-R049	BR. HOLDER HOUSING, Alternator assy (LN 58777)	1	
	49	5101792-R050	SCREW, Br. holder housing to Stator housing (LN 13622)	4	
4-22	50	5101792-R051	NUT, Terminal to Br. holder housing, attaching (LN 4340)	2	
	51	5101792-R073	LOCKWASHER, Shakeproof, terminal to Br. holder housing nut (#10) (LN 4534)	4	
	52	5101792-R052	TERMIANL, Br. holder housing (LN 57613)	2	
	53	5101792-R074	JUMPER, To Br. holder terminal (LN 57594)	2	
	54	5101792-R075	GASKET, To Br. holder (LN 73814)	1	
	55	5101792-R053	COVER, Br. holder housing (LN-57615)	1	
	56	5101792-R054	WASHER, Guard, terminal to Br. holder housing cover (LN 5293)	2	
	57	5101792-R076	NUT, Terminal to Br. holder housing cover (LN 32629)	2	
				BRUSH, Alternator assy (LN 77302)	2

REPAIR PARTS LIST

GROUP 4 Automotive Elec.
 MODEL 2900 R



SD-460

Figure 4-23. Engine Distributor, Electronic Ignition

REPAIR PARTS LIST

GROUP 4 Automotive Elec.
MODEL 2900R

FIG NO.	ITEM NO.	PART NUMBER	ITEM DESCRIPTION	QTY PER UNIT	
4-23	1	5100011-R027	<u>ENGINE DISTRIBUTOR</u>		
		5100011-R029	DISTRIBUTOR ASSY, Electronic ignition (CCMI 3755158) HOUSING AND BEARING ASSY, Ignition distributor (CCMI 3656057)	1	
	2	5100011-R233	O-RING SEAL, Housing and bearing assy to engine block (CCMI 2825923)	1	
		5100011-R096	COLLAR, Pin and washer package, housing and bearing assy (CCMI 2932988)	1	
	4	5100011-R235	VACUUM CONTROL, Ignition distributor (CCMI 3656310)	1	
		5100011-R052	SPRING, Cap, ignition distributor (CCMI 1838508)	2	
	4-23	6	5100011-R030	SHAFT, Governor and cam assy, ignition distributor (CCMI 3755159)	1
			5100011-R137	SHEAR PIN, Shaft, governor, and cam assy to pickup and plate assy (CCMI 9414521)	1
	8	5100011-R116	PICKUP AND PLATE ASSY, Ignition distributor (CCMI 3656738)	1	
		5100011-R053	CLAMP, Hold-down, distributor to engine block (CCMI 1947613)	1	
	10	5100011-R234	RELUCTOR, Ignition distributor (CCMI 3635017)	1	
		5100011-R029	ROTOR ASSY, Ignition distributor (CCMI 1836516)	1	
	4-23	12	5100011-R028	CAP ASSY, Ignition distributor (CCMI 2444507)	1
			5100011-R218	HOSE, Distributor vacuum control to carburetor (CCMI 2448621)	1
	14	5100011-R144	BOLT, Distributor hold-down clamp to engine block (5/16-20 x 1-7/8 lg) (CCMI 181095)	1	
5100011-R018		WASHER, Hold-down clamp bolt to engine block, flat (5/16 ID) (CCMI 6022185)	1		
<u>MAIN ENGINE IGNITION WIRING</u> (H440 - CHRYSLER ENGINE COACHES 00001 to 00047)					
		5100011-R032	COIL ASSY, Engine ignition (CCMI 2495531)	1	
		5100011-R049	BRACKET, Ignition coil (CCMI 1688207)	1	
		5100011-R147	SCREW, Ignition coil mounting bracket (CCMI 132930)	1	
		5100011-R129	SCREW AND WASHER, Ignition coil mounting (CCMI 6024015)	2	
		M17043	NUT, Ignition coil (CCMI 120614)	2	
		5100011-R148	WASHER, Lock, ignition coil terminal (CCMI 138479)	2	
		5100011-R033	CABLE ASSY, Secondary, ignition coil (CCMI 3656513)	1	
		5100011-R034	CABLE PACKAGE, Spark plug (CCMI 3620882)	1 set	
		5100011-R111	BRACKET, Spark plug cable (CCMI 3512724)	2	
		5100011-R100	BRACKET, Spark plug cable (CCMI 2951534)	2	
		5100011-R101	BRACKET, Spark plug cable (CCMI 2951536)	1	
		5100011-R097	BRACKET, Spark plug cable (CCMI 2946443)	1	
		5100011-R102	BRACKET, Spark plug cable (CCMI 2951550)	1	
		5100011-R087	BRACKET, Spark plug cable (CCMI 2780669)	1	
		5100011-R092	SEPARATOR, Ignition cables (CCMI 2875719)	5	
		5100011-R035	PLUG, Ignition spark (CHA J-11-Y)	8	
		5100011-R081	HEAT SHIELD, Spark plug cable, right front and left rear (CCMI 2407353)	2	
		5100011-R080	HEAT SHIELD, Spark plug cable, left front and right rear (CCMI 2407351)	2	
		5100011-R050	BRACKET, Spark plug wire (CCMI 1739355)	4	
<u>MAIN ENGINE IGNITION WIRING</u> (I440 - CHRYSLER ENGINE COACH 00048 AND UP)					
		5100011-R032	COIL ASSY, Engine ignition (CCMI 2495531)	1	
		5100011-R049	BRACKET, Ignition coil (CCMI 1688207)	1	
		5100011-R147	SCREW, Ignition coil mounting bracket (CCMI 132930)	1	
		5100011-R129	SCREW AND WASHER, Ignition coil mounting (CCMI 6024015)	2	
		M17043	NUT, Ignition coil (CCMI 120614)	2	
		5100011-R148	WASHER, Ignition coil nut lock (CCMI 138479)	2	
		5100011-R033	CABLE ASSY, Ignition coil secondary (CCMI 3656513)	1	
		5100011-R111	BRACKET, Spark plug cable - right exhaust manifold forward (CCMI 3512724)	1	
		5100011-R244	BRACKET, Spark plug cable - right cylinder head cover rear (CCMI 3751082)	1	
		5100011-R243	BRACKET, Spark plug cable - left exhaust manifold (CCMI 3698653)	1	
		5100011-R242	BRACKET, Spark plug cable - rear No's. 1, 3, 7 cables (CCMI 3698911)	1	
		5100011-R189	PLUG, Ignition spark (CHA-BL9Y)	8	

REPAIR PARTS LIST

GROUP 4 Automotive Elec.
 MODEL 2900 R

SD-252

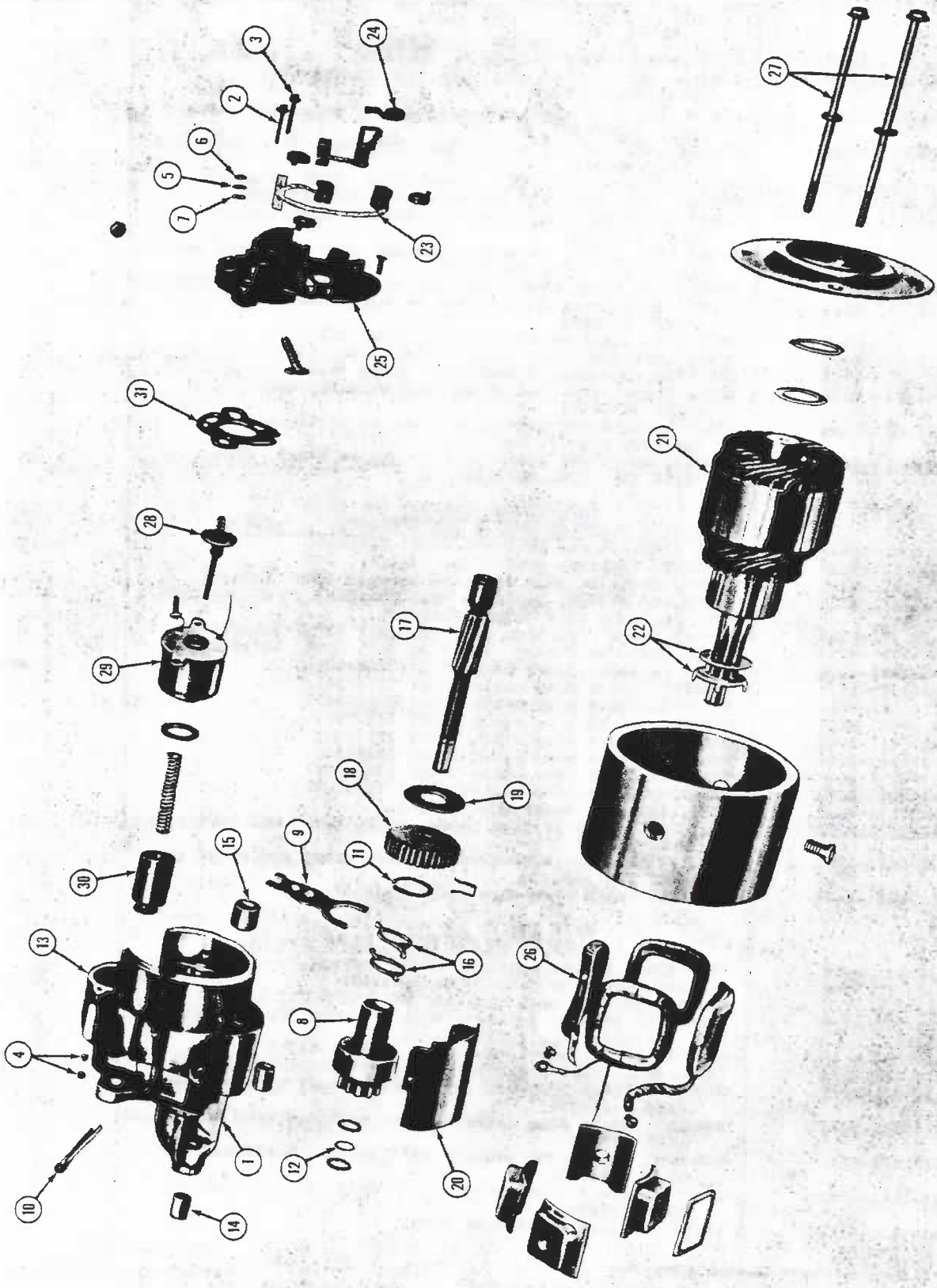


FIGURE 4-24 Engine Starter Assembly

REPAIR PARTS LIST

GROUP 4
MODEL _____

FIG NO.	ITEM NO.	PART NUMBER	ITEM DESCRIPTION	QTY PER UNIT
		5100011-R182	CABLE, Spark plug (CCMI-3656697)	3
		5100011-R238	CABLE, Spark plug No's 2-4 (CCMI-3656504)	2
		5100011-R239	CABLE, Spark plug No 5 (CCMI-3656111)	1
		5100011-R181	CABLE, Spark plug No 6 (CCMI-3656696)	1
		5100011-R240	CABLE, Spark plug No 8 (CCMI-3656510)	1
<u>MAIN ENGINE STARTER</u> <u>(A440)</u>				
4-24		5100011-R036	STARTER ASSY (CCMI 2095150)	1
	1	5100011-R093	SEAL, Starter (CCMI 2892915)	1
	2	5100011-R128	SCREW AND LOCKWASHER, Starter mounting, upper (CCMI 6023899)	1
	3	5100011-R067	STUD, Starter mounting, lower (CCMI 2095875)	1
	4	M17039	NUT, Starter mounting (CCMI 120376)	1
	5	M17009	WASHER, Lock, starter (CCMI 120383)	1
4-24	6	5100011-R145	NUT, Starter solenoid (CCMI 120691)	1
	7	5100011-R146	WASHER, Lock, starter (CCMI 126841)	1
	8	5100011-R062	CLUTCH, Starter (CCMI 2095122)	1
	9	5100011-R065	FORK, Shifting, starter (CCMI 2095134)	1
	10	5100011-R064	PIN, Shifting fork pivot, starter (CCMI 2095133)	1
	11	5100011-R063	RETAINER RING, Clutch actuator, starter (CCMI 2095130)	1
4-24	12	5100011-R060	SNAP RING, Pinion shaft gear retainer, starter (CCMI 2095117)	1
	13	5100011-R058	HOUSING, Gear, starter (CCMI 2095112)	1
	14	5100011-R069	BEARING, Housing pinion, starter (CCMI 2098986)	1
	15	5100011-R070	BEARING, Housing gear, starter (CCMI 2098987)	1
	16	5100011-R077	ACTUATOR AND RETAINING RING, Clutch shifting, starter (CCMI 2275556)	1
	17	5100011-R061	SHAFT, Pinion housing, starter (CCMI 2095118)	1
4-24	18	5100011-R078	GEAR AND SNAP RING, Pinion shaft, starter (CCMI 2275557)	1
	19	5100011-R079	WASHER AND RETAINER RING, Pinion shaft thrust, starter (CCMI 2275558)	1
	20	5100011-R059	COVER, Gear housing, starter (CCMI 2095116)	1
	21	5100011-R056	ARMATURE, Starter (CCMI 2095094)	1
	22	5100011-R076	WASHER PACKAGE, Armature thrust, starter (CCMI 2275555)	1
	23	5100011-R074	HOLDER PACKAGE, Brush, starter (CCMI 2275550)	1
4-24	24	5100011-R054	SPRING PACKAGE, Brush, starter (CCMI 2084666)	1
		5100011-R083	SEALER, Brush plate, starter (CCMI 2421838)	1
	25	5100011-R055	HEAD, Commutator end, starter (CCMI 2095076)	1
	26	5100011-R073	COIL PACKAGE, Field series and shunt (CCMI 2275248)	1
	27	5100011-R057	BOLT, Frame, starter (CCMI 2095105)	2
	28	5100011-R075	CONTACT AND SPRING PACKAGE, Solenoid switch, starter (CCMI 2275553)	1
	29	5100011-R037	SOLENOID PACKAGE, Starter (CCMI 2275554)	1
		5100011-R082	STUD AND SEAL PACKAGE, Solenoid terminal, starter (CCMI 2421837)	1
	30	5100011-R066	CORE, Solenoid moving, starter (CCMI 2095155)	1
	31	5100011-R068	SEAL, Solenoid contact, starter (CCMI 2098660)	1