

Group 14 Heater, Defroster, and Air Conditioning System

GENERAL: This group contains information on the automotive heating-air conditioning system from the engine water pump, and from freon compressor to the heater/air conditioning units in the coach.

SPECIFICS: As applicable

...Freon Compressor

...Heater-Air Conditioning Controls on
Instrument Panel

...Heater-Air Conditioning Ducts and Hardware

...Heater-Air Conditioning Lines, Hoses, and
Fittings

...Heater-Cooler Unit and Hardware



FMC Corporation
Motor Coach Division
333 Brokaw Road Box 664 Santa Clara California 95052

REPAIR PARTS LIST

GROUP 14 Heater and Air Conditioning System
 MODEL 2900R

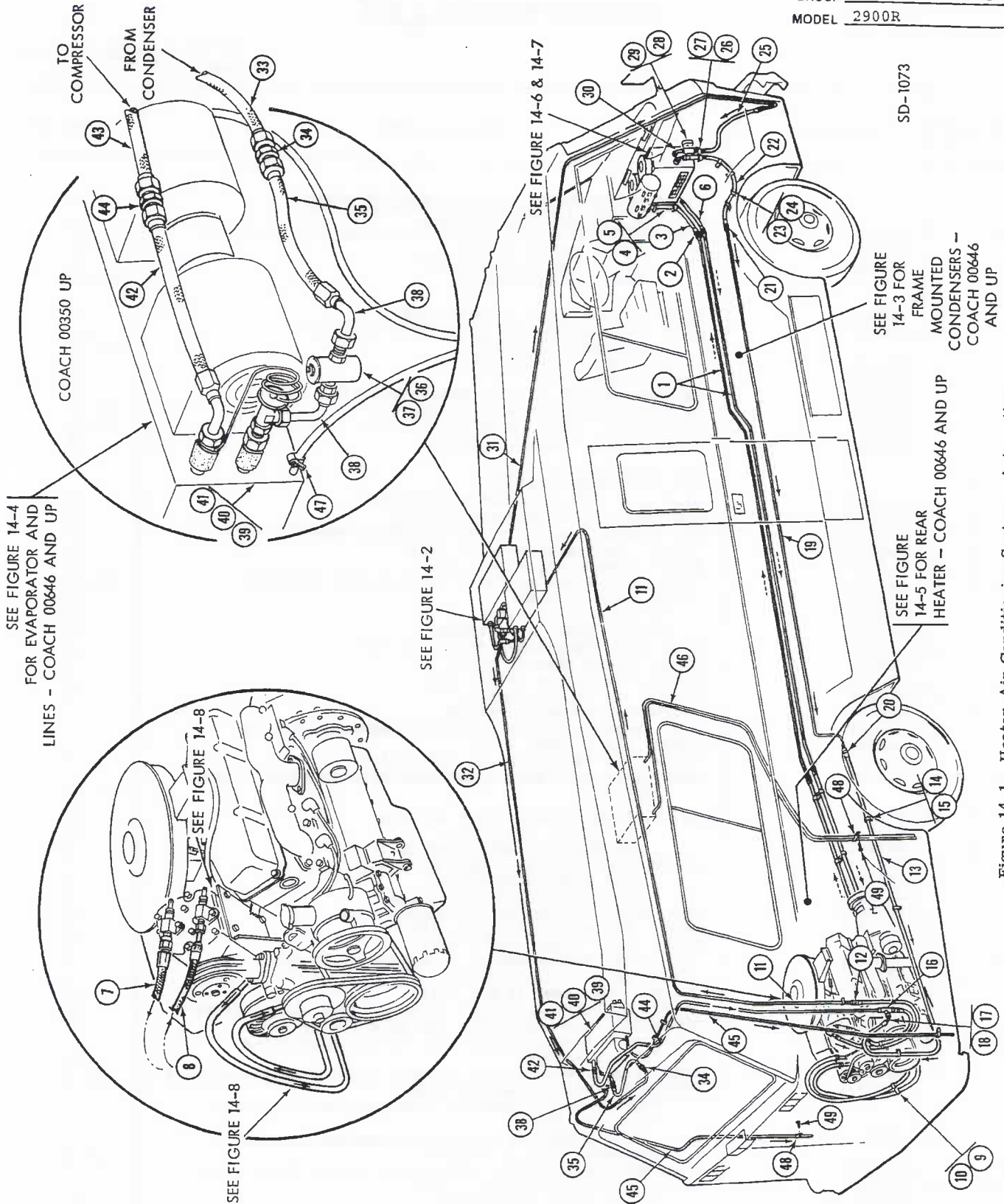


Figure 14-1. Heater-Air Conditioning System - Automotive

REPAIR PARTS LIST

GROUP 14
MODEL 2900R

FIG NO.	ITEM NO.	PART NUMBER	ITEM DESCRIPTION	QTY PER UNIT
			<u>FRONT HEATER LINES COACHES 00001 TO 00645</u> (SEE FIG 14-5 FOR REAR HEATER)	
14-1	1	5101333 M24003 M24115 M24011	TUBE ASSY, Heater hose interconnecting-through frame TUBE, copper 3/4 OD ELBOW, Reducing 3/4-5/8 TUBE, Copper 5/8 OD	2 16 ft 1 0.5 ft
	2	M24043	CLAMP, Heater hose to tube (5/8)	4
	3	M24016	HOSE, Tube to heater/cooler unit (5/8 ID) (supersedes 5101334)	12 ft
	4	M22070	CLAMP, Heater/cooler hose (1")	3
	5	M14017	SCREW, Hose clamp	3
14-1	6	M22046 M22076 M15047 M24043	GROMMET, Heater hose to frame (1 1/2) INSULATION, Heater hose (1 1/8 ID) INSULATION, Heater hose (3/16 x 14) CLAMP, Heater hose insulation	2 12 ft 24 ft 8
			<u>AIR CONDITIONING LINES</u>	
	7	5101305	HOSE ASSY, A/C compressor discharge	1
	8	5101323	HOSE ASSY, A/C compressor return	1
		5100961-01	COMPRESSOR, Freon (TK-3057-C22-G22) (see Fig 14-8)	1
	9	M22060	CLAMP, Compressor hose (1 3/16)	1
	10	M14017	SCREW, Hose clamp (#10 x 1/2)	1
14-1	11	M24430	TUBE, Compressor to No. 1 roof mounted condenser	20 ft
	12	M24158 M24437 M24440	UNION, Tube to hose "O" RING, Tube union WASHER, Tube union teflon	2 2 2
	13	5101321	HOSE ASSY, Compressor return to tee	1
	14	M22060	CLAMP, Return hose (1 3/16)	3
14-1	15	M14017	SCREW, Hose clamp (#10 x 1/2)	3
	16	M24509 M24530	SWITCH, Lo freon pressure CONNECTOR, Pressure switch	1 1
	16	M24161	TEE, Compressor return hose and pressure switch	1
	17	M22036	CLAMP, Tee to hose (3/4)	1
	18	M14017	SCREW, Tee to hose clamp (#10 x 1/2)	1
14-1	19	M24003	TUBE, Compressor hose interconnecting (through frame) (5/8 ID)	16 ft
14-1	20	M24160 M24438 M24441	UNION, Tube to hose (rear of tube) "O" RING, Tube union WASHER, Tube union teflon	1 1 1
	21	M24159 M24438 M24441	UNION, Tube to hose (front of tube) "O" RING, Tube union WASHER, Tube union teflon	1 1 1
	22	5101319	HOSE ASSY, Tube to heater/cooler unit	1
	23	M22070	CLAMP, Heater/cooler hose (1")	4
14-1	24	M14017	SCREW, Hose clamp (#10 x 1/2)	4
	25	5101316	HOSE ASSY, Heater/cooler to condenser tubing	1
	26	M22036	CLAMP, Hose to frame (3/4)	1
	27	M14017	SCREW, Hose clamp (#10 x 1/2)	1
	28	5101435-07	VALVE, Heater/cooler unit solenoid (PRE 1187-A75-G01)	1
	29	5100573-02	CONNECTOR, Solenoid valve (WD 48 x 6 x 2)	2
14-1	30	5101435-04	TUBE ASSY, Heater/cooler unit to solenoid valve (TK 1207A85G01)	1
	31	M24010 5100963	TUBE, Heater/cooler unit to roof mounted condenser (1/4 ID) CONDENSER ASSY, Freon (TK-230M2) Roof mounted condenser (coaches 00001 to 00645) (See Fig. 14-2)	20 ft 2
	32	M24429	TUBE, Roof condenser to rear evaporator (1/4 ID) (coaches 00001 to 00349)	18 ft
14-1	33	5106030	TUBE ASSY, Condenser to evaporator (coach 00350 & Up)	2
	34	M24156 M24435 M24439	UNION, Tube to evaporator hose "O" RING, Tube union WASHER, Tube union teflon	1 1 1
	35	5101314	HOSE ASSY, Tube to evaporator	1
	36	5101435-07	VALVE, Evaporator solenoid (PRE-1187-A75-G01)	1
	37	5100573-02	CONNECTOR, Solenoid valve (WD 48X6X2)	2
14-1	38	5101435-04	TUBE ASSY, Evaporator to valve (TK 1207A85G01)	2

REPAIR PARTS LIST

GROUP 14
MODEL 2900R

FIG NO.	ITEM NO.	PART NUMBER	ITEM DESCRIPTION	QTY PER UNIT
			<u>COACHES 00001 TO 00645</u>	
14-1	39	5101349	EVAPORATOR ASSY, Freon (TK-725) (See Fig. 14-9) In rear upper cabinetry-coaches 00001 to 00349 In rear right upper cabinetry-coaches 00350 to 00645	1
	40	M14271	SCREW, Evaporator attaching (1/4-20 x 1 1/2)	2
	41	M17098	WASHER, Evaporator attaching screw (17/64)	2
	42	5101317	HOSE ASSY, Evaporator return	1
	43	M24431	TUBE, Evaporator hose to return tee (5/8 ID)	1
14-1	44	M24159	UNION, Tube to return hose	1
		M24438	"O" RING, Tube union	1
		M24441	WASHER, Tube union teflon	1
	45	M24129	TUBE, Evaporator drain (nylon) (0.295 ID) (WD PT230-6)	22 ft
	46	M24118	TUBE, Evaporator drain (3/8 ID)	2 ft
	47	M22041	CLAMP, Drain tube (worm gear type)	4
	48	M22043	CLAMP, Evaporator tubing (3/8)	8
14-1	49	M25034	RIVET, Evaporator clamp	8
		5101653	GUARD, Condenser to front Evaporator (inside channel of RH windshield post) (coach 00001 to 00645)	1
		M25034	RIVET, Guard to upper structure (coach 00001 to 00645)	4
		5100709	GRILL, Evaporator air inlet	1
		M14041	RIVET, Evaporator grill	2

REPAIR PARTS LIST

14 Heater and Air
 GROUP Conditioning System
 MODEL 2900R

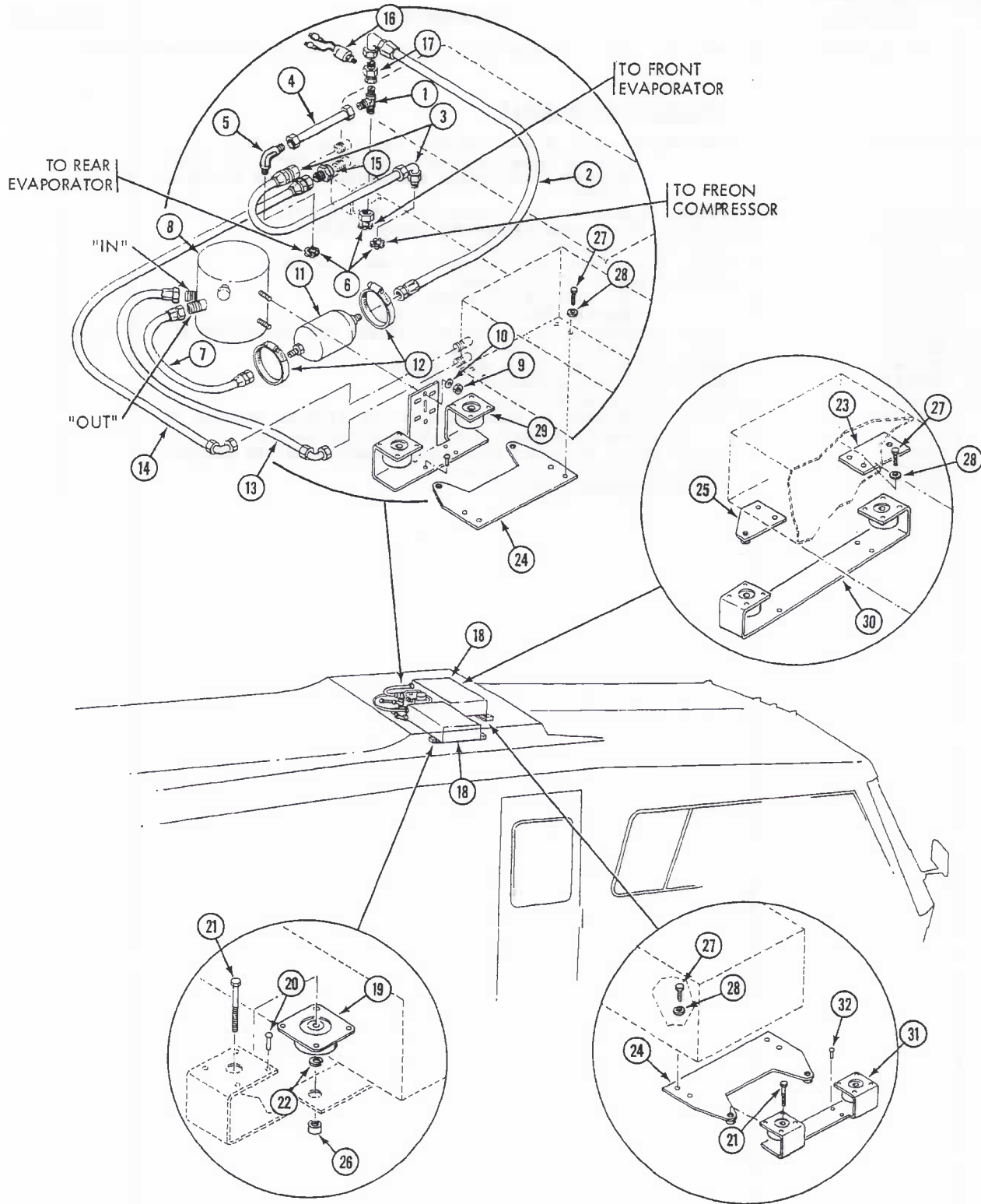


Figure 14-2. Roof Mounted Condensers and Lines

SD-1070

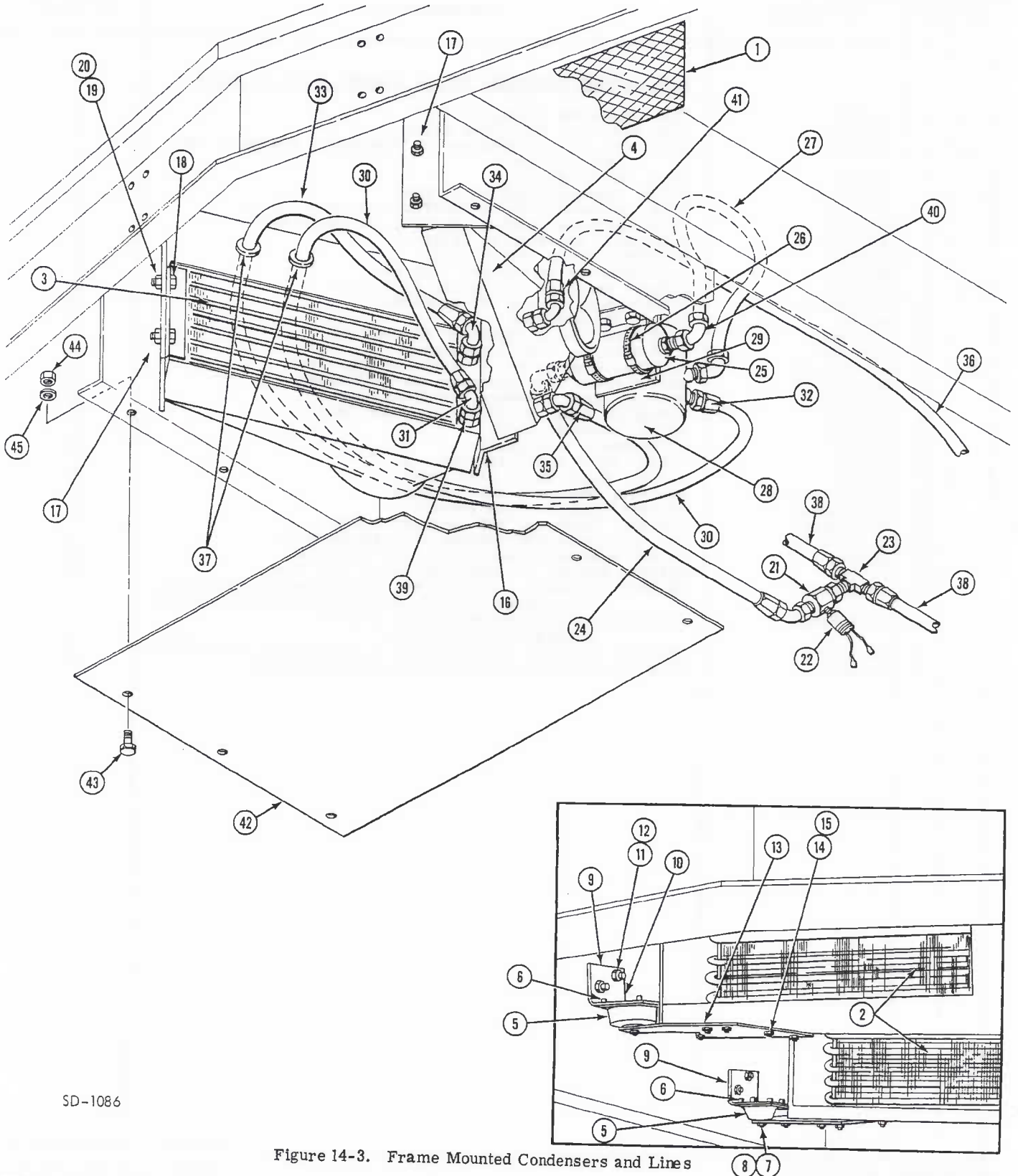
REPAIR PARTS LIST

GROUP 14
MODEL 2900R

FIG NO.	ITEM NO.	PART NUMBER	ITEM DESCRIPTION	QTY PER UNIT
<u>ROOF MOUNTED CONDENSER HOOKUP COACHES 00001 TO 00645</u>				
14-2	1	M24157	TEE, Condenser tubing at roof	1
	2	5101989	HOSE ASSY, Tee to filter drier	1
14-2	3	5101307	HOSE ASSY, No. 1 condenser to compressor discharge tube (see fig 14-1)	1
	4	M24013	TUBE, Tee to elbow	1
14-2	5	M24155	ELBOW, Condenser tubing at roof	2
	6	5106003	TUBE, Condenser tubing stuffing (at roof) (3/8)	2
	6	5106004	TUBE, Condenser tubing stuffing (at roof) (5/8)	1
	7	5101987	HOSE ASSY, Receiver to filter	1
	8	5101355	RECEIVER, Freon (TK-2197B79)	1
	9	M17093	NUT, Receiver to bracket (3/8-16)	2
14-2	10	M17007	WASHER, Receiver to bracket (3/8 lock)	2
	11	5101435-02	FILTER-DRIER, Freon (TK-66-8068)	1
	12	M22142	CLAMP, Filter-drier	2
	13	5101987	HOSE ASSY, No. 2 condenser to receiver	1
	14	5101305	HOSE ASSY, No. 1 to 2 condenser	1
14-2	15	5101308-01	REDUCER, Hose to No. 1 condenser (BM-A4888)	1
	16	5101435-01	SWITCH, Freon high pressure (TK-1088A99G01)	1
	17	M24416	ADAPTER, High pressure switch to hose	1
	18	5100963	CONDENSER ASSY (TK-230M2) (see fig 14-10)	2
	19	5101353	MOUNT, Condenser shock	8
	20	M25056	RIVET, Mount to bracket	32
	21	M18021	SCREW, Shock mount (1/4-20 x 1)	8
	22	M17024	WASHER, Shock mount (1/4 lock)	8
	23	5101254-02	BRACKET, Condenser MTG outboard	3
	24	5101254-01	BRACKET, Condenser MTG inboard	2
	25	5101254-03	BRACKET, Condenser MTG outboard forward	1
	26	5100976-06	NUT, Condenser MTG bracket (1/4-20 nutsert)	8
	27	M18024	SCREW, Bracket to condenser (3/8-16 x 3/4)	16
	28	M17007	WASHER, Bracket to condenser screw (3/8 lock)	16
	29	5101254-10	BRACKET, Inboard, condenser No. 2 receiver/filter-drier (supersedes 5101336, 5101254-06, and 5101254-04)	1
	30	5101254-11	BRACKET, Outboard, condenser No. 1 and 2 (supersedes 5101254-04)	2
	31	5101254-09	BRACKET, Inboard, condenser No. 1 (supersedes 5101254-04)	1
	32	M25108	RIVET, Bracket, condenser/receiver/filter-drier	24

REPAIR PARTS LIST

14 Heater and Air
 GROUP Conditioning System
 MODEL 2900



SD-1086

Figure 14-3. Frame Mounted Condensers and Lines

REPAIR PARTS LIST

GROUP 14
MODEL 2900R

FIG NO.	ITEM NO.	PART NUMBER	ITEM DESCRIPTION	QTY PER UNIT
<u>CONDENSERS AND LINES FRAME MOUNTED - FRONT</u> <u>COACH 00646 AND UP</u>				
14-3	1	5107276	GRILL,Air Conditioning condensers	1
	2	5100963	CONDENSER, Freon (coach 00646 to 00800) (TK-230M2) (see Fig. 14-10)	2
	3	5107810-01	CONDENSER, Freon-right side (MIT-473-21259) (see Fig. 14-11) (coach 00801 and up)	1
	4	5107810-02	CONDENSER, Freon-left side (MIT-473-21259) (see Fig. 14-11) (coach 00801 and up)	1
14-3	5	5101353	MOUNT,Condenser shock (coach 00646 to 00800)	8
	6	M25056	RIVET, Condenser shock mount (coach 00646 to 00800)	32
	7	M18021	SCREW,Condenser shock mount (coach 00646 to 00800)	8
	8	M17024	WASHER, Condenser shock mount (coach 00646 to 00800)	8
	9		Bracket, Shock mount to frame (coach 00646 to 00800)	8
14-3	10		BOLT, Shock mount bracket (coach 00646 to 00800)	16
	11		NUT,Shock mount bracket bolt (coach 00646 to 00800)	16
	12		WASHER, Shock mount bracket bolt (coach 00646 to 00800)	16
	13	5101254-01	BRACKET, Condenser mounting (coach 00646 to 00800)	4
	14	M18024	SCREW, Bracket to condenser (coach 00646 to 00800)	16
	15	M17007	WASHER, Bracket to condenser (coach 00646 to 00800)	16
14-3	16		BRACKET, Condenser mounting-center (welded to frame) (coach 00801 and up)	1
	17		BRACKET, Condenser mounting-front & center (coach 00801 and up)	2
	18		BOLT, Condenser to frame (coach 00801 & up)	16
	19		NUT,Condenser to frame bolt	16
14-3	20		WASHER,Condenser to frame bolt (coach 00801 & up)	16
	21	M19039	TAPE, Condenser to frame (foam filled)	4 ft
	22	M24416	ADAPTER,High pressure switch to hose	1
	23	5101435-01	SWITCH, Freon high pressure (TK-1088A99G01)	1
	24	M24291	TEE, Front & Rear evaporator lines	1
	25	5101989	HOSE, Tee to filter drier	1
14-3	26	5101435-02	FILTER-DRIER, Freon (TK-66-8068)	1
	27	M22142	CLAMP, Filter-Drier	2
14-3	28	5101987	HOSE, Receiver to filter	1
	29	5101355	RECEIVER, Freon (TK-2197-B79)	1
	30	5108022	BRACKET, Freon Receiver	1
	31	M24091	HOSE,No. 2 condenser to receiver	3 ft
	32	M24090	FITTING, Hose 90 deg	1
	33	M24092	FITTING, Hose straight	1
	34	M24091	HOSE, No. 1 to No. 2 condenser	5 ft
	35	M24090	FITTING Hose 90 deg	1
	36	M24092	FITTING, Hose straight	1
	37	M24089	HOSE, Condenser to compressor (#8)	30 ft
	38	M20037	GROMMET, Condenser hose	2
14-3	39	M24091	HOSE,Tee to evaporators (#6)	10 ft
	40	5101374-01	UNION, Condenser to hose	2
	41	M24088	FITTING, Hose 90 deg swivel	2
	42	M24087	FITTING, Hose straight swivel	2
	43	M18057	PLATE, Condenser bottom cover	1
	44	M17070	BOLT, Plate to bottom frame	6
	45	M17045	NUT, Plate bolt	6
14-3		M14252	WASHER, Plate bolt	12
			SCREW, Plate attaching	4

REPAIR PARTS LIST

14 Heater and Air
GROUP Conditioning System
MODEL 2900

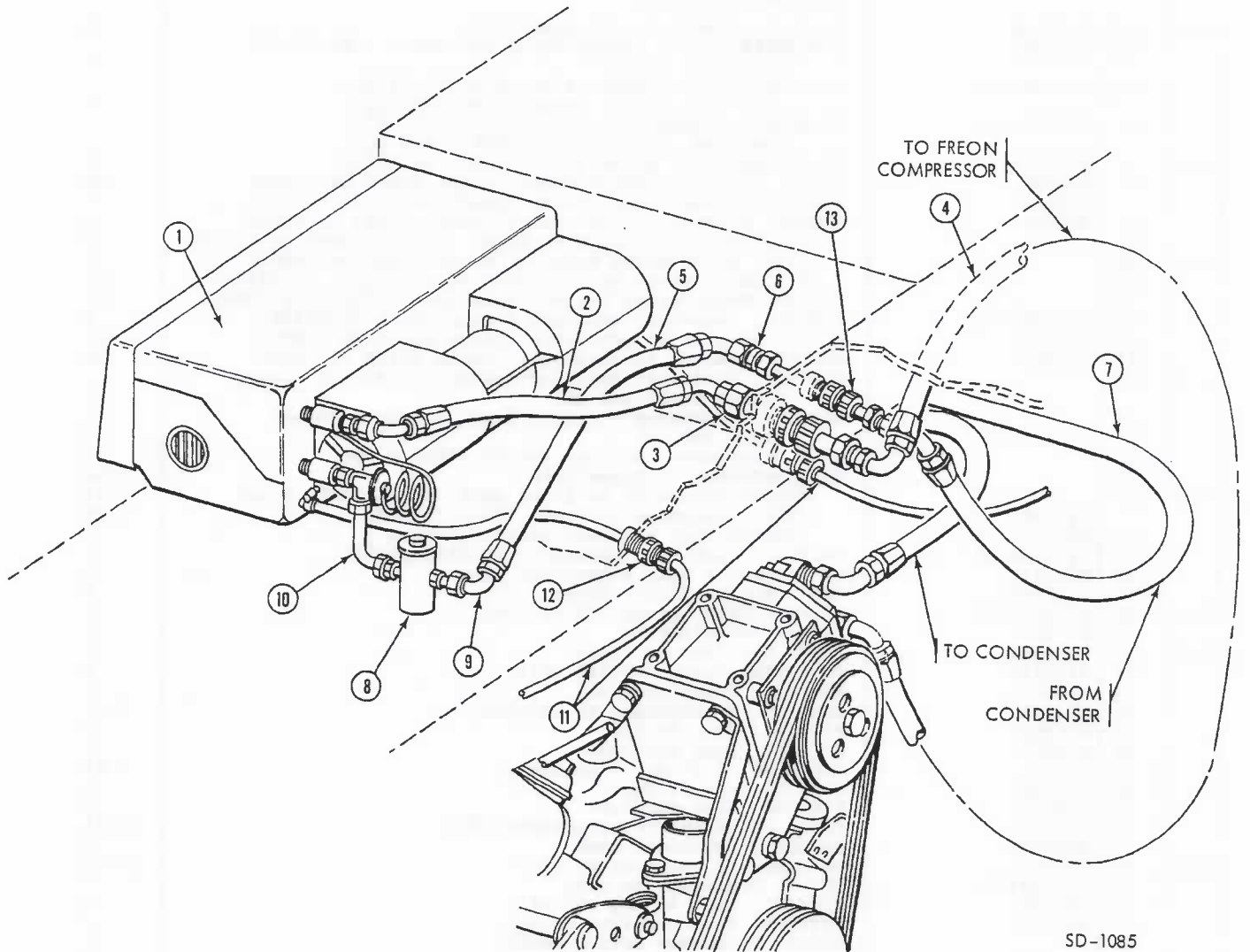


Figure 14-4. Rear Bedroom Evaporator and Lines

REPAIR PARTS LIST

GROUP _____
MODEL 2900R

FIG NO.	ITEM NO.	PART NUMBER	ITEM DESCRIPTION	QTY PER UNIT
<u>REAR EVAPORATOR AND LINES COACH 00646 & UP</u>				
14-4	1	5101349	EVAPORATOR ASSY, Air conditioning (TK-725) (see fig. 14-9)	1
		M14271	SCREW, Evaporator attaching (1/4-20 x 1 1/2)	2
		M17098	WASHER, Evaporator screw (17/64)	2
	2	5101317	HOSE, Evaporator cooler return	1
	3	M24159	UNION, Tube to return hose	1
		M24438	"O" RING, Tube Union	1
		M24441	WASHER, Tube Union Teflon	1
	4	M24093	HOSE, Evaporator hose union to compressor	8 ft
	5	5101314	HOSE, Evaporator cooler inlet	1
	6	M24156	UNION, Tube to inlet hose	1
		M24435	"O" RING, Tube union	1
		M24439	WASHER, Tube union teflon	1
		M24091	HOSE, Evaporator union to condenser	30ft
	5101435-07	VALVE, Evaporator solenoid (PRE-1187-A75-G01)	1	
	5100573-02	CONNECTOR, Solenoid valve (WD-48 x 6 x 2)	1	
14-4	10	5101435-04	TUBE, Evaporator to valve	1
	11	M24118	TUBING, Evaporator drain (3/8)	16 ft
		M22041	CLAMP, Drain tube (worm gear type)	4
		M22043	CLAMP, Tubing to compartment (3/8)	4
		M25034	RIVET, Tubing clamp	4
	12	5106003	TUBE, A/C hose stuffing (3/8)	2
14-4	13	5106004	TUBE, A/C hose stuffing (5/8)	2



FMC Corporation
Motor Coach Division
333 Brokaw Road Box 664 Santa Clara California 95052

ISSUED _____
REVISED C4, 9/76

REPAIR PARTS LIST

14 Heater and Air
 GROUP Conditioning System
 MODEL 2900

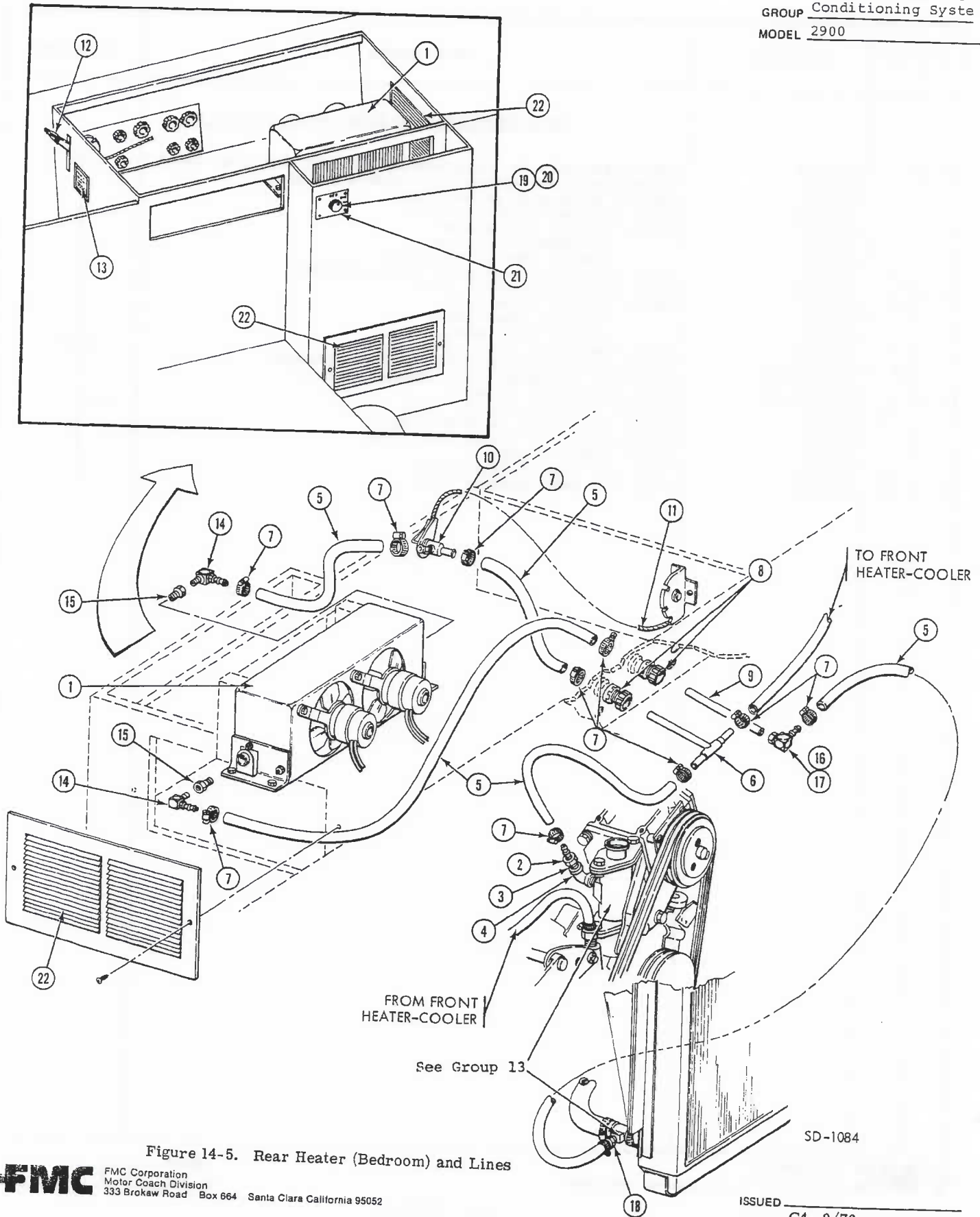


Figure 14-5. Rear Heater (Bedroom) and Lines

FMC FMC Corporation
 Motor Coach Division
 333 Brokaw Road Box 664 Santa Clara California 95052

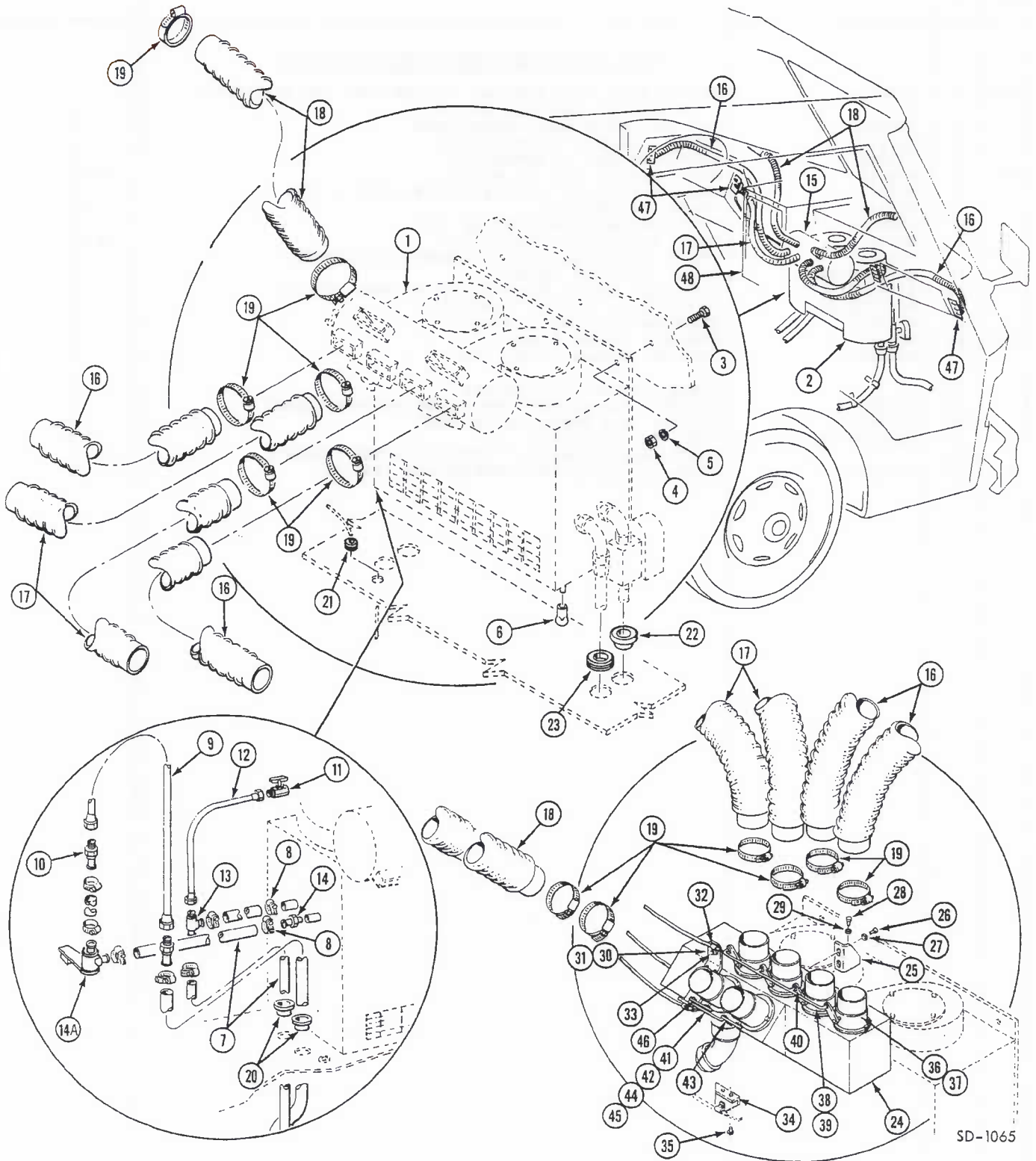
REPAIR PARTS LIST

GROUP 14
MODEL 2900R

FIG NO.	ITEM NO.	PART NUMBER	ITEM DESCRIPTION	QTY PER UNIT
<u>REAR HEATER AND LINES -COACH 00646 & UP</u>				
14-5	1	5106078	HEATER ASSY, Rear bedroom (27,000 BTU) (EV HV211759 & HV220277) (see Fig. 14-13)	1
	2	5101330	ADAPTER, Water pump outlet hose	1
	3	M24191	NIPPLE, Adapter to extension	1
	4	M24540	ELBOW, Adapter to extension	1
14-5	5	M24016	HOSE, Heater (5/8 ID, black)	15 ft
	6	M24498	TEE, Outlet hose to heater (5/8 x 5/8 x 3/4)	1
	7	M24043	CLAMP, Heater hose	12
	8	5106004	TUBE, Heater hose stuffing (5/8)	2
	9	M24431	TUBE, Heater hose connecting	6 ft
14-5	10	5107861	VALVE, Heater shut-off (supersedes 5107499)	1
	11	5101329-01	CABLE, Shut-off valve	1
	12	5101329-02	KNOB, AND LEVER, Shut-off valve lever (ON-OFF)	1
	13	5100872-23	DECAL, "Heat Control" "ON-OFF"	1
	14	M24062	ELBOW, Heater hose to heater	2
14-5	15	M24465	BUSHING, Heater Elbow	2
	16	M24497	ADAPTER, Heater return line	1
	17		ELBOW, Heater line adapter	1
	18	M24497	ADAPTER, Heater hose tee (lower radiator hose)	1
	19	5106697	SWITCH, Rear heater (IK-4L754A)	1
	20	5101486-02	KNOB, Heater switch	1
	21		PLATE, Heater switch ("OFF"- "LO"- "MED"- "HIGH")	1
14-5	22	5100718	GRILL, Heater inlet & outlet air (14 x 6)	2

REPAIR PARTS LIST

GROUP 14 Heater and Air Conditioning System
 MODEL 2900 R



SD-1065

Figure 14-6. Heater Cooler Unit and Distribution Tube - Automotive Air

REPAIR PARTS LIST

GROUP _____
MODEL 2900R

FIG NO.	ITEM NO.	PART NUMBER	ITEM DESCRIPTION	QTY PER UNIT
			<u>HEATER/COOLER UNIT AND TUBES</u>	
14-6	1	5100961	HEATER/COOLER ASSY, (under dash) (TK630)	1
	2	5101335-01	NOTE: See Figure 14-12 for component parts	
	3	5101355-02	COVER, Heater/cooler (coach 00001 to 00989)	1
	4	M-18005	COVER, Heater/cooler (coach 00990 & up)	1
	5	M-17070	BOLT, Heater/cooler attaching (1/4-20 x 3/4)	3
	6	M-17024	NUT, Heater/cooler bolt (1/4-20)	3
	7	M-17024	WASHER, Heater/cooler bolt (1/4 lock)	3
	8	5101435-05	VALVE, Heater/cooler check (TK L207A84H01)	2
	9	M-24016	HOSE, Tube to heater (5/8) (black) (sup 5101334)	12ft
14-6	10	M-24043	CLAMP, Heater hose (5/8)	8
	11	NPN	TUBE ASSY, Heater inlet hose	1
	12	NPN	ADAPTER, Heater inlet hose to tube	1
	13	NPN	DRAIN COCK, Heater outlet tube	1
	14	NPN	TUBE ASSY, Heater outlet tee to drain cock	1
	14A	NPN	TEE, Heater outlet hose to outlet tube	1
	14A	NPN	ADAPTER, Heater Coil to Water Valve	1
	14A	5100961-R002	VALVE, Heater water - 90° one end threaded (TK 66-8063)	1
	14A	5107861	VALVE, Heater water - w/two hose ends (optional) (TK-1088A89G06)	1
	15	5100962	DISTRIBUTION UNIT, Heater/coolers (TK 3070-C78) (coach 00001 to 00988)	1
	16	5101328	HOSE, Air cond outboard (2-1/2 ID)	8 ft
14-6	17	5101328	HOSE, Air cond inboard (2-1/2 ID)	2 ft
	18	5101328	HOSE, Windshield defroster (2-1/2 ID)	4 ft
	19	M-22045	CLAMP, A/C and defroster (3" ID)	12
	20	5101426	BRACKET, Air conditioning duct (under dash)	1
	21	M-20046	GROMMET, Tube to heater hose through frame	2
	22	M-20133	GROMMET, Ambient sensor tube to frame	1
	23	5101604	GROMMET, Heater/cooler hoses through frame	3
14-6	24	M-20037	GROMMET, Split suction line	1
	25	5108723	DISTRIBUTION UNIT, Heater/cooler (coach 00989 and up)	1
	26	5108728	BRACKET, Plenum to dash	1
	27	M-14046	SCREW, Bracket attaching (#10 x 1/2)	2
	28	M-17033	WASHER, Bracket screw (#10, flat)	2
	29	M-18005	SCREW, Bracket to dash (1/4-20 x 3/4)	1
	30	M-17045	WASHER, Bracket screw (1/4, flat)	1
	31	5108729	BRACKET, Control cable	1
	32	M-25079	RIVET, Bracket to plenum (1/8)	4
14-6	33	M-22378	CLAMP, Cable	3
	34	M-14060	SCREW, Cable clamp (#8 x 1/4)	3
	35	5108730	BRACKET, Heat valve control cable	1
	36	M-25079	RIVET, Bracket to plenum (1/8)	2
	37	5108724	DAMPENER, Air control	8
	38	M-14046	SCREW, Dampener to plenum (#10 x 1/2)	16
	39	5108733	ROD, Dash air dampeners control	1
14-6	40	M-17033	WASHER, Control rod (#10, flat)	4
	41	M-24692	RING, Control rod push on (TRU 5115-18)	8
	42	5108734-01	ROD, Defrost air dampener control (3-9/16 long)	1
	43	M-17033	WASHER, Control rod (#10, flat)	2
	44	M-24692	RING, Control rod push on (TRU 5115-18)	4
	45	5108734-02	ROD, Floor heat dampener control (10-5/8 long)	1
	46	M-17033	WASHER, Control rod (#10, flat)	2
	47	M-24692	RING, Control rod push on (TRU 5115-18)	4
	48	5101419	BEZEL, Air flow control (coach 00001 to 00959)	4
	49	5101419	BEZEL, Air flow control (instrument panel) (coach 00960 and up)	2
14-6	50	5108722-01	BEZEL, Air flow control (dash panel) (coach 00960 and up)	2
	51	5109070	PLATE, Bezel mounting (dash panel)	1
	52	M-14332	SCREW, Bezel mounting (dash panel)	4

REPAIR PARTS LIST

14 Heater and Air
 GROUP Conditioning System
 MODEL 2900 R

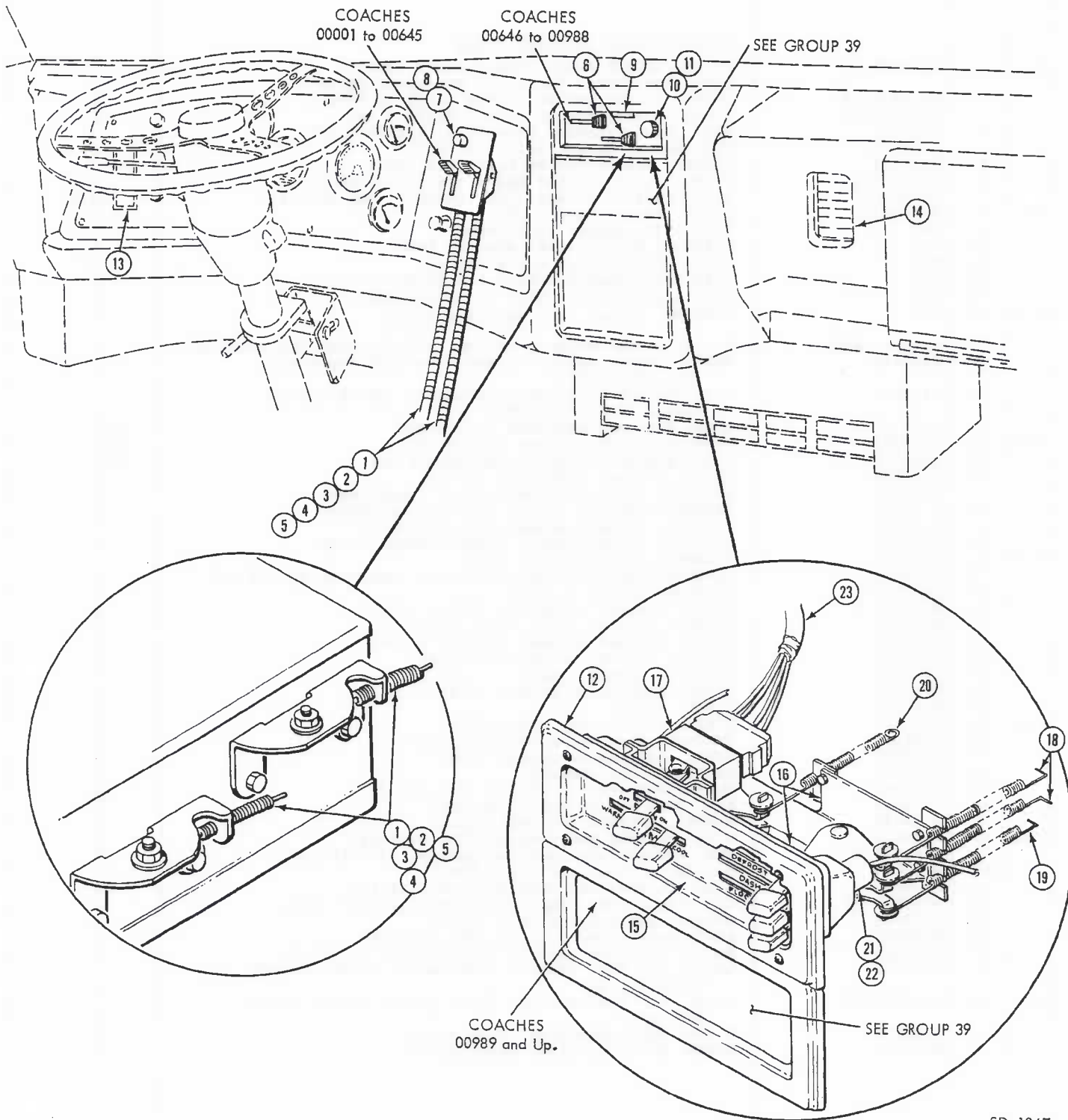


Figure 14-7. Front Heater, Air Conditioning and Defrost Controls

SD-1067

REPAIR PARTS LIST

GROUP 14
MODEL 2900R

FIG NO.	ITEM NO.	PART NUMBER	ITEM DESCRIPTION	QTY PER UNIT
			<u>HEAT, AIR CONDITIONING, AND DEFROST CONTROLS</u> <u>COACHES 00001 TO 00988</u>	
14-7	1	5101329-01	CABLE, Heater/cooler unit (coaches 00001 to 00645)	2
	2	5107136	CABLE, Heater/cooler unit (coaches 00646 to 00987)	6
	3	M-14243	BOLT, Heater/cooler control to dash panel (#6-32 x 1/2)	6
	4	M-17063	NUT, Hex (#6-32)	6
	5	M-17051	WASHER, Split (#8)	6
	6	5101435-06	HARDWARE, Lever and cable (screw, clamp, pin and washer)	1
	7	5101329-02	KNOB, Control Lever	2
		5101417	SWITCH, Heater and A/C blower fan (CH 68354) (coach 00001 to 00645)	
14-7	8	5101418	KNOB, Blower switch (coach 00001 to 00645)	1
	9	5107122	LIGHT ASSY, A/C control panel (coach 00646 to 00988)	1
	10	5101847	SWITCH, Blower fan speed (coach 00646 to 00987)	1
	11	5101418-02	KNOB, Blower switch (coach 00646 to 00987)	1
	12	5107030	BEZEL, A/C control unit (coach 0001 to 00988)	1
		5108814	BEZEL, A/C control unit (coach 00989 & up)	1
		5107025	BRACKET, Control unit bezel	1
		5107027	DECAL, Bezel "heater", "A/C", "fan"	1
	13	5101419	BEZEL, Heat - A/C control (instrument panels coach 00001 to 00959)	4
		5101419	BEZEL, Heat - A/C control (instrument panel) (00960 and up)	2
	14	5108722-01	BEZEL, Heat - A/C control (in dash panel - coach 00960 and up)	2
			<u>HEAT, AIR CONDITIONING, AND DEFROST CONTROLS (COACH</u> <u>00989 AND UP)</u>	
	15	5108766	CONTROL ASSY, Heater/cooler unit	1
	16	5103519	HOUSING AND CABLE ASSY, Control unit (TK-3077C73G08)	1
	17	5102895-04	SWITCH, Fan "ON/OFF" (IK-4K235)	1
	18	5102895-01	CABLE, Defrost and dash (26" long)	2
	19	5102895-02	CABLE, Floor (34" long)	1
	20	5102895-03	CABLE, Temperature control (35" long)	1
	21	5103518	SOCKET, Control light bulb (TK-121A08G011)	2
	22	5100643	BULB, Control unit light (GE-53)	2
	23	5108765	LEAD ASSY, ON/OFF switch	1

REPAIR PARTS LIST

14 Heater and Air
 GROUP Conditioning System
 MODEL 2900R

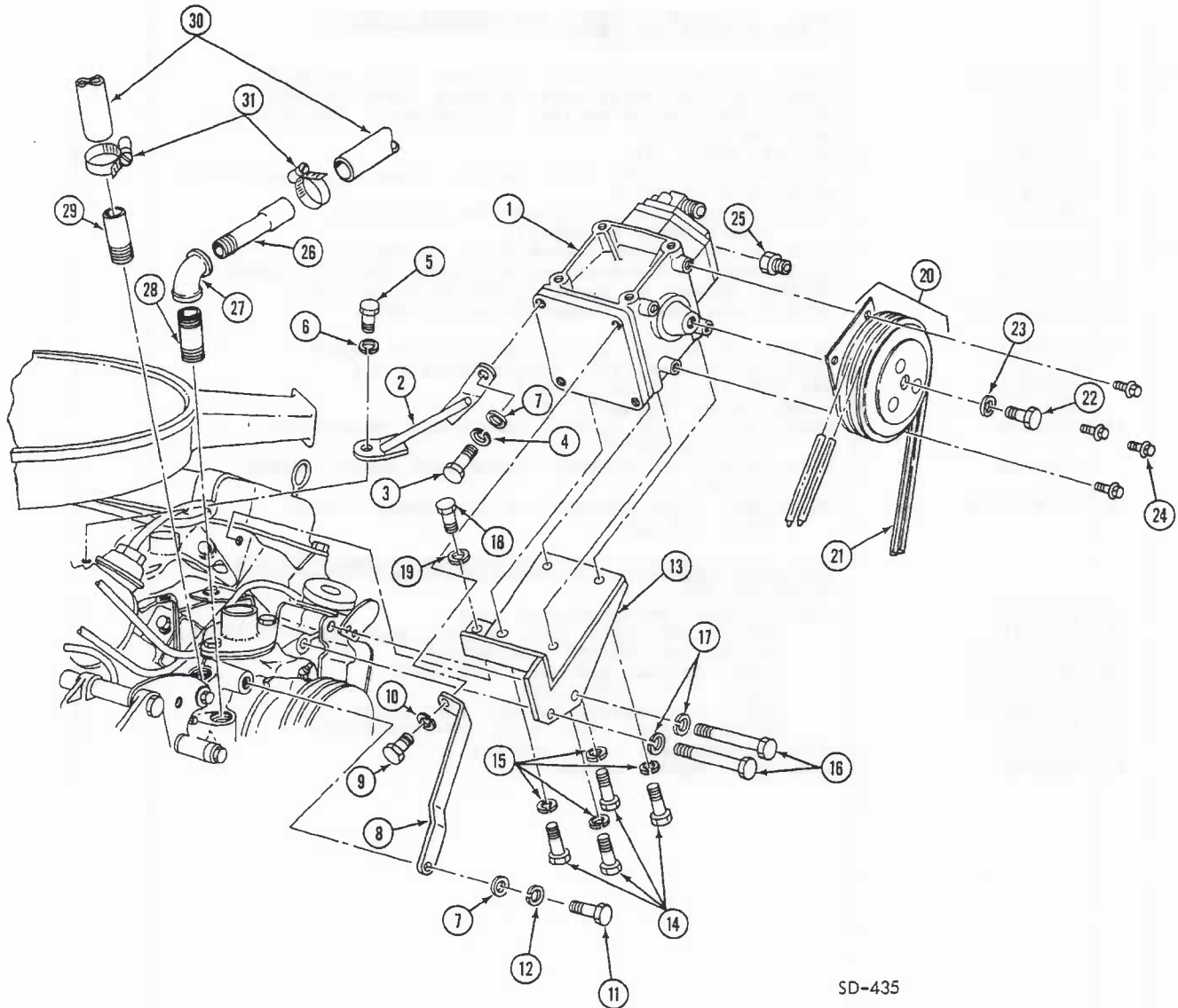


Figure 14-8 Air Conditioning Compressor - Automotive

REPAIR PARTS LIST

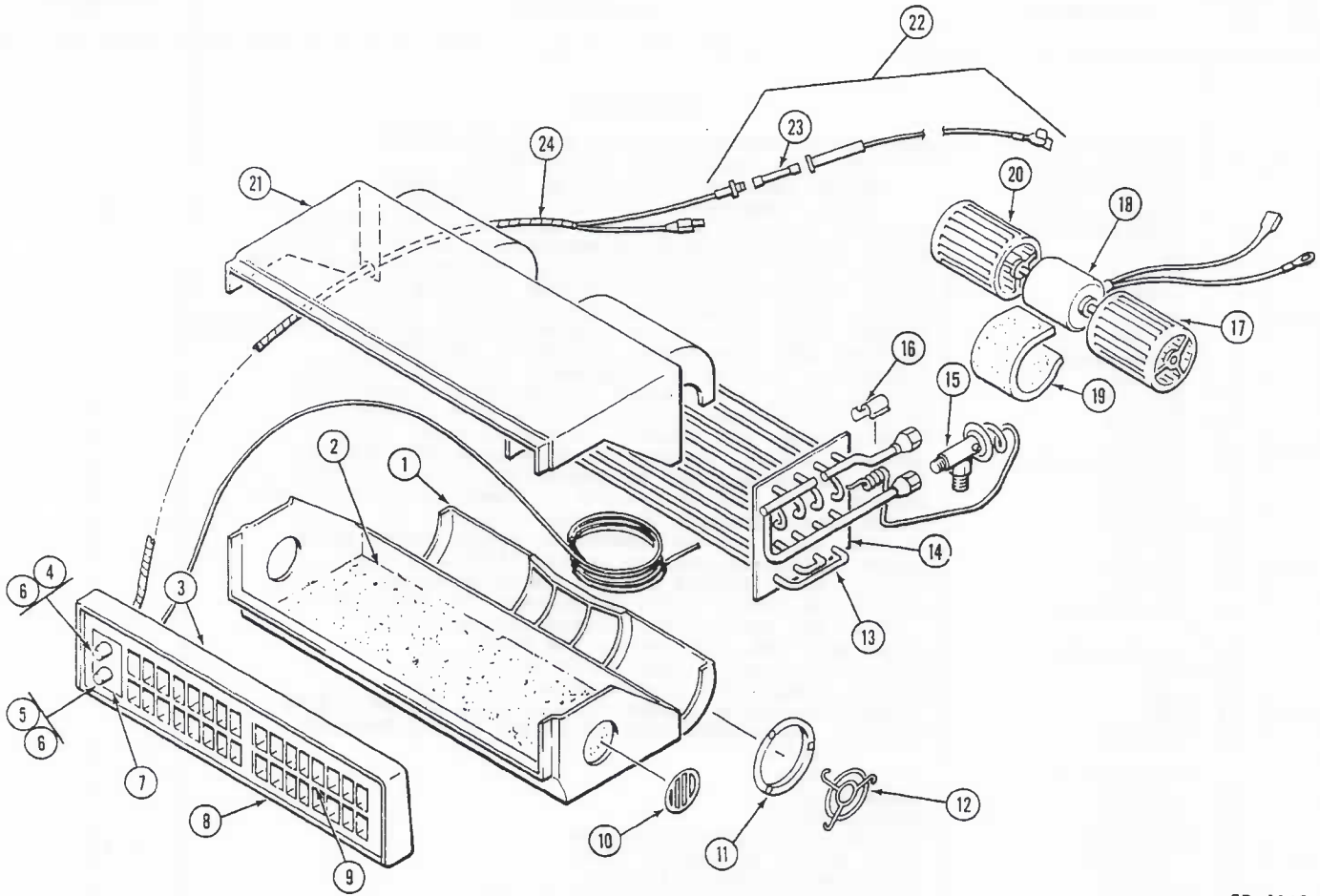
14 Heater and Air
Conditioning System

GROUP _____
MODEL 2900R

FIG NO.	ITEM NO.	PART NUMBER	ITEM DESCRIPTION	QTY PER UNIT
			<u>COMPRESSOR</u>	
14-8	1	5100960-01	COMPRESSOR, Vaporized freon (TK 3057C22-G22)	1
		5100960-R020	SEAL KIT, Compressor (TK 22-8007)	1
		5100960-R021	VALVE, Compressor discharge (TK 66-9068)	1
		5100960-R022	VALVE, Compressor suction (TK 66-9069)	1
	2	5100960-R023	BRACKET, Forward, compressor to engine (TK C3067-3)	1
	3	M18023	SCREW, Forward bracket to compressor (3/8-16 x 1-1/4)	1
	4	M17007	WASHER, Lock, forward bracket to compressor screw (3/8)	1
	5	M18029	SCREW, Forward bracket to engine (5/16-18 x 1)	1
14-8	6	M17042	WASHER, Lock, forward bracket to engine screw (5/16)	1
	7	M17004	WASHER, Flat, bracket to compressor and engine screw (3/8)	2
	8	5100960-R024	BRACKET, Aft, compressor to engine (TK C3067-2)	1
	9	M18023	SCREW, Aft bracket to compressor (3/8-16 x 1-1/4)	1
	10	M17007	WASHER, Lock, aft bracket to compressor screw (3/8)	1
	11	M18043	SCREW, Aft bracket to engine (3/8-16 x 1-1/2)	1
14-8	12	M17007	WASHER, Lock, aft bracket to engine screw (3/8)	1
	13	5100960-R025	BRACKET, Bottom, compressor to engine (TK C3067-1)	1
	14	M18075	SCREW, Bottom bracket to compressor (3/8-16 x 7/8)	4
	15	M17007	WASHER, Lock, bottom bracket to compressor screw (3/8)	4
	16	M18089	SCREW, Bottom bracket to engine (3/8-16 x 4)	2
	17	M17007	WASHER, Lock, bottom bracket to engine screw (3/8)	2
14-8	18	M18075	SCREW, Bottom bracket to engine (3/8-16 x 7/8)	1
	19	M17001	WASHER, Lock, bottom bracket to engine screw (3/8)	1
	20	5100960-02	CLUTCH AND PULLEY ASSY, Compressor (TK 3050-C26)	1
			NOTE: See Group 4 for clutch wiring parts.	
	21	5100960-05	DRIVE BELT SET, Compressor (GR 8335)	1
	22	NPN	SCREW, Compressor clutch (5/16-24 x 1-1/2)	1
	23	NPN	WASHER, Compressor clutch screw (5/16 flat)	4
14-8	24	NPN	SCREW, Compressor clutch (washer head 1/4-20 x 3/8)	4
	25	M24126	REDUCER, Compressor hose (5/8 male to 3/4 female) (MB A4878)	1
	26	5101331-01	NIPPLE, Hose	1
	27	M24198	ELBOW, Hose	1
	28	M24199	NIPPLE, Hose	1
	29	5101330	NIPPLE, Heater hose to engine	1
14-8	30	5101332	HOSE, Heater to engine (3/4)	34 ft
	31	M22060	CLAMP, Heater hose (1-3/16)	8
		M14017	SCREW, Heater hose clamp (#10 x 1/2)	8
		M14269	SCREW, Heater hose clamp (to upper engine compartment) (#10-24 x 3/4)	1

REPAIR PARTS LIST

14 Heater and Air
GROUP Conditioning System
MODEL 2900 R



SD-1069

Figure 14-9. Thermoking Evaporator Cooler Assembly

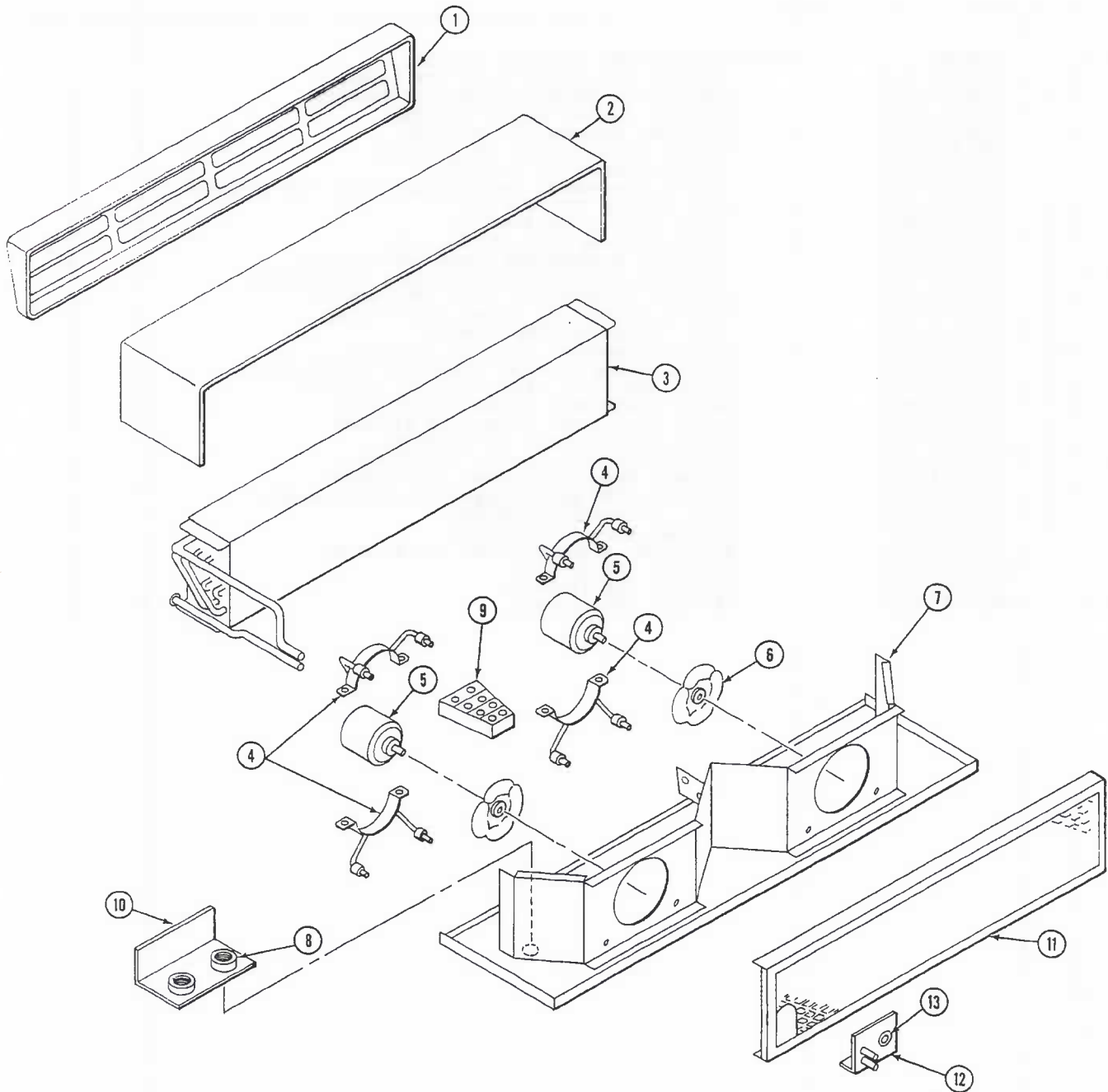
REPAIR PARTS LIST

14 Heater and Air
Conditioning System
GROUP _____
MODEL 2900R

FIG NO.	ITEM NO.	PART NUMBER	ITEM DESCRIPTION	QTY PER UNIT	
14-9		5101349	EVAPORATOR/COOLER ASSEMBLY (TK 725)	1	
	1	5101349-R001	CABINET, Evaporator lower (TK 99-8134)	1	
	2	5101349-R002	INSULATION, Cabinet bottom (TK 99-8135)	1	
	3	5101349-R003	HOUSING, Cabiner front (TK 8251)	1	
		5101349-R004	RETAINER, Housing (TK 99-8137)	2	
		5101349-R005	WASHER, Housing wave (TK 55-8111)	2	
	4	5101349-R006	SWITCH, Blower (TK 44-8154)	1	
	5	5101349-R007	SWITCH, Thermostat (w/capillary tube) (TK 44-8144)	1	
	6	5101349-R008	KNOB, Switch (TK 99-8131)	2	
	7	5101349-R009	PLATE, Switch (TK 44-8214)	1	
	8	5101349-R010	STRIP, Housing trim (TK 99-9195)	1	
	9	5101349-R011	DIFFUSER, Housing air front (TK 99-8252)	2	
	14-9	10	5101349-R012	DIFFUSER, Lower cabinet air side (TK 99-8058)	2
		11	5101349-R013	VENTURI, Cabinet air inlet (TK 99-8147)	2
		12	5101349-R014	GRILLE, Intake air blower (TK 99-8132)	2
		13	5101349-R015	COIL, Evaporator (TK 67-8005)	1
		14	5101349-R016	SPACER, Evaporator coil (TK 99-8133)	2
		15	5101349-R017	VALVE, Liquid to vapor expansion (TK 66-8009)	1
		16	5101349-R018	CLAMP, Expansion valve bulb (TK 55-8073)	1
		17	5101349-R019	WHEEL, Evaporator blower (TK 77-8010)	1
		18	5101349-R020	MOTOR, Evaporator blower (TK 44-8100)	1
		19	5101349-R021	STRIP, Blower motor (TK 99-8138)	1
	14-9	20	5101349-R022	WHEEL, Evaporator blower (TK 77-8011)	1
		21	5101349-R023	CABINET, Evaporator upper (TK 99-8139)	1
22		5101349-R027	FUSE AND WIRE ASSY, Evaporator (TK 44-8152)	1	
23		5101349-R029	FUSE, 30 ampere (BU AGC30)	1	
24		5101349-R030	HARNES, Wire (TK 44-8213)	1	
		5101349-R024	ENCLOSURE, Evaporator end (TK 99-8140)	1	
		5101349-R025	GROMMET, (TK 33-8022)	1	
		5101349-R026	GROMMET, (TK 33-8023)	1	
14-9		5101349-R028	GROMMET, (TK 33-8019)	1	

REPAIR PARTS LIST

14 Heater and Air
GROUP Conditioning System
MODEL 2900R



SD-437

Figure 14-10 Condenser Assembly

REPAIR PARTS LIST

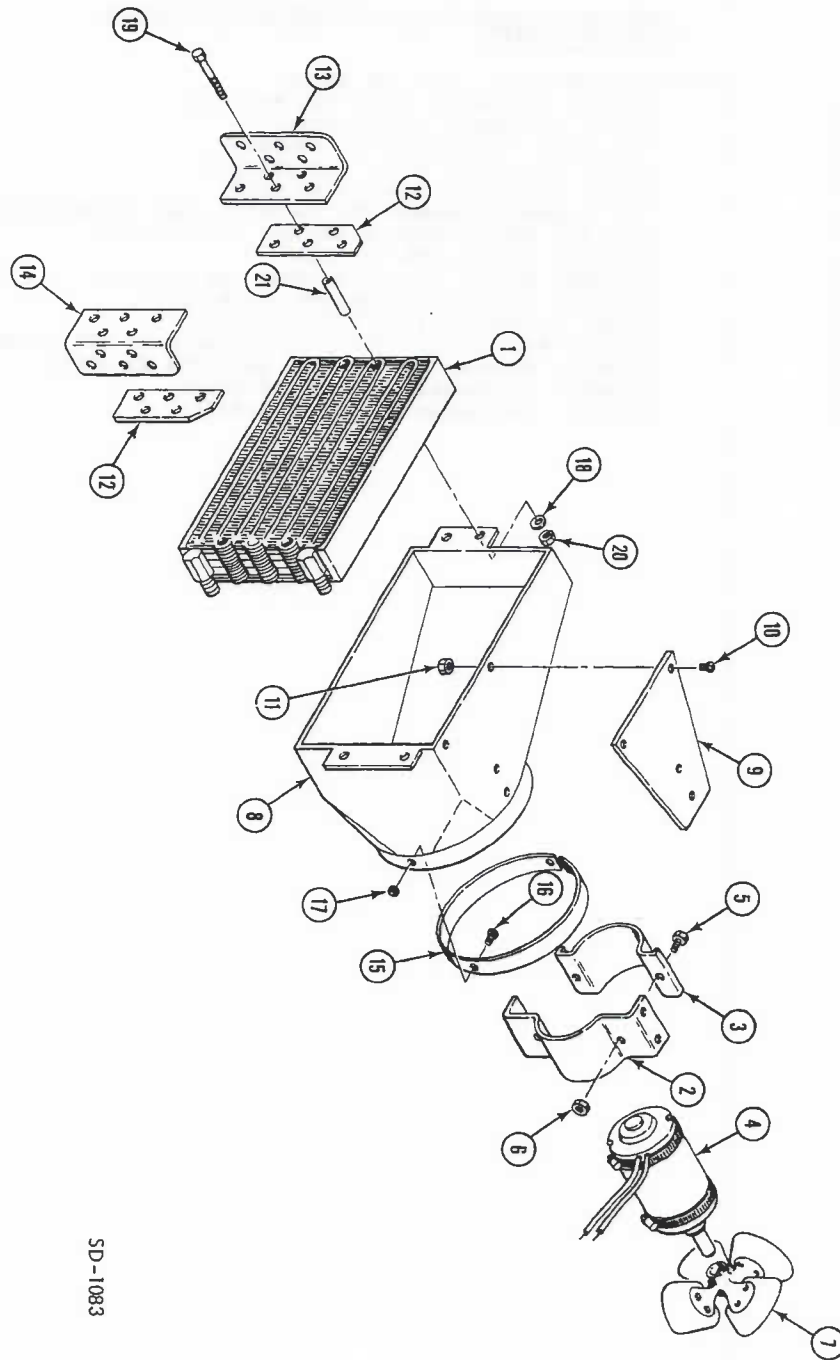
14 Heater and Air
Conditioning System

GROUP _____
MODEL 2900R

FIG NO.	ITEM NO.	PART NUMBER	ITEM DESCRIPTION	QTY PER UNIT
			<u>CONDENSER ASSEMBLY - COMPONENT PARTS COACHES</u> <u>00001 TO 00800</u>	
14-10		5100963	CONDENSER ASSEMBLY, A/C (TK 230M2)	1
	1	5100963-R002	GRILLE, Condenser front (TK 99-9269)	1
	2	5100963-R003	COVER Condenser (TK 99-9274)	1
	3	5100963-R004	COIL ASSY, Condenser (TK 67-9020)	1
	4	5100963-R005	MOUNT, Condenser motor (TK 99-9272)	4
14-10	5	5100963-R001	MOTOR, Condenser fan (TK 44-8158)	2
	6	5100963-R015	FAN, Condenser motor (TK 78-8004) (sup 5100963-R006)	2
	7	5100963-R007	BASE AND SHROUD ASSY, Condenser (TK 99-9270)	1
	8	5100963-R008	GROMMET, Shroud (TK 33-9005)	1
	9	5100963-R009	TERMINAL BLOCK, Shroud bracket (TK 44-9076)	1
	10	5100963-R010	BRACKET, Condenser mounting (TK 99-9271)	4
14-10	11	5100963-R011	SCREW, Condenser rear (TK 99-9273)	1
	12	5100963-R012	BRACKET AND ADAPTER ASSY, Condenser base (TK 99-9277)	1
	13	5100963-R008	GROMMET, Bracket and adapter assy (TK 33-9005)	1
		5100963-R013	HARNES, Condenser assy (TK 44-8215)	1
14-10		5100963-R014	HARNES, Condenser assy (TK 44-8216)	1

REPAIR PARTS LIST

14 Heater and Air
 GROUP Conditioning System
 MODEL 2900



SD-1083

Figure 14-11. Front Mounted Condenser-Component Parts

REPAIR PARTS LIST

GROUP 14
MODEL 2900R

FIG NO.	ITEM NO.	PART NUMBER	ITEM DESCRIPTION	QTY PER UNIT
<u>COMPONENT PARTS - FRONT MOUNTED CONDENSERS - COACH</u> <u>00801 AND UP</u>				
14-11		5107810-01	CONDENSER ASSY - RIGHT SIDE (MIT-21259)	1
		5107810-02	CONDENSER ASSY - LEFT SIDE (MIT-21259)	1
	1	5107810-R001	CONDENSER W/RIVNUT (MIT- 21260)	1
		5107810-R002	RIVNUT, Condenser (MIT- 61293)	6
14-11	2	5107810-R003	BRACKET, Motor mount (MIT- 14615)	2
	3	5107854-R012	CLAMP, Motor (MIT- 10109)	2
	4	5107810-R004	MOTOR, Condenser fan (MIT- 25777)	1
	5	M14313	SCREW, Motor clamp #10-32 x 3/4 (MIT-40565)	4
14-11	6	M17043	NUT, Motor clamp screw #10-32 (MIT-40241)	4
	7	5107810-R006	BLADE W/SETS SCREW, Fan (MIT-30933)	1
	8	5107810-R007	SHROUD, Fan & condenser (MIT-36116)	1
	9	5107810-R008	PLATE, Shroud (MIT-14616)	2
14-11	10	M14327	SCREW, Plate attaching #10-32 x 1/2 (MIT-40762)	10
	11	M17043	NUT, Plate attaching #10-32 (MIT-40241)	4
	12	5107854-R007	PLATE, Condenser bracket back (MIT-14261)	2
	13	5107810-R005	BRACKET, Condenser Mtg (MIT-14617)	1
14-11		5107810-R009	NUT, Bracket weld #10-32 (MIT-63642)	2
	14	5107854-R002	BRACKET, Condenser Mtg (MIT-14259)	1
		5107810-R010	NUT, Bracket weld #10-32 (MIT-61254)	2
	15	5107810-R011	RING, Fan blade (MIT-14644)	1
14-11	16	5107810-R012	RIVET, Blade ring (MIT-61500)	3
14-11	17	5107810-R013	WASHER, Blade ring MIT- 40210)	3
	18	M17067	WASHER, Condenser to shroud (MIT- 40283)	4
	19	5107810-R014	SCREW, Condenser to shroud (MIT-40963)	4
	20	5107810-R015	NIT, Condenser to shroud (MIT- 782202)	4
14-11	21	5107810-R016	BUSHING, Condenser to shroud (1/4") (MIT- 61224)	4

REPAIR PARTS LIST

14 Heater and Air
Conditioning System
GROUP
MODEL 2900R

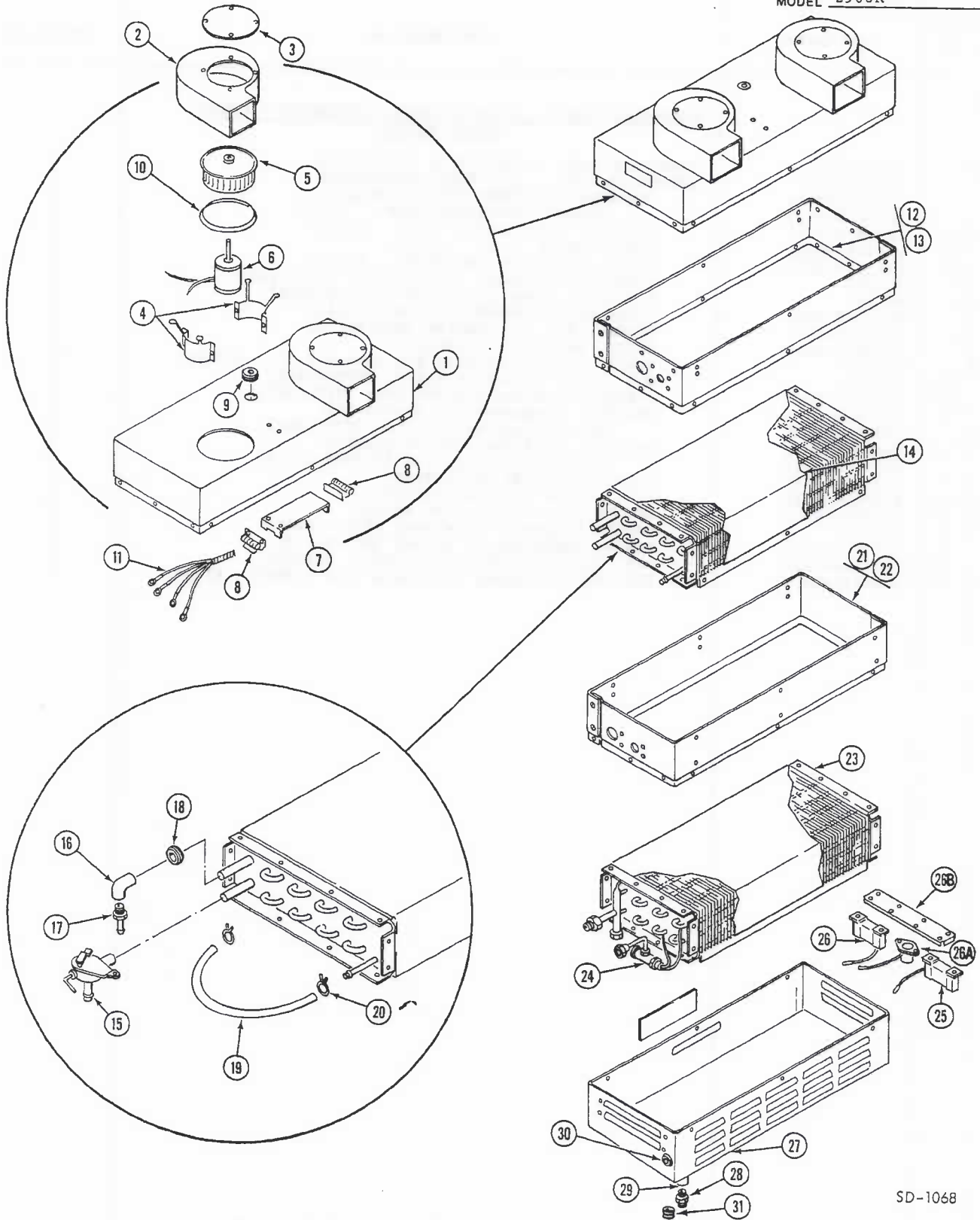


Figure 14-12. Heater-Cooler Assembly (Component Parts)

SD-1068

REPAIR PARTS LIST

GROUP _____ 14
MODEL _____ 2900R

FIG NO.	ITEM NO.	PART NUMBER	ITEM DESCRIPTION	QTY PER UNIT
		5100961	HEATER/COOLER ASSY (TK-630)	1
14-12	1	5100961-R003	PANEL, Blower (TK-99-8258)	1
	2	5100961-R004	HOUSING, Blower fin (TK-99-8259)	2
	3	5100961-R005	COVER, Housing (TK-99-8260)	2
	4	5100961-R006	BRACKET SET, Motor mounting (TK-99-8261)	2
14-12	5	5100961-R007	BLOWER, Motor (TK-44-8222)	2
	6	5100961-R033	MOTOR, Blower (supersedes 5100961-R008)	2
			NOTE: Above motor is a heavy-duty design. When replacing always replace in sets -2 per unit.	
	7	5100961-R009	BRACKET, Resistor (TK-99-8262)	1
	8	5100961-R010	RESISTOR, Blower motor (TK-44-8189)	2
	9	5100961-R011	GROMMET, Panel (TK-33-8044)	1
14-12	10	5100961-R012	RING, Blower inlet (TK-99-8263)	2
	11	5100961-R013	HARNES, Blower motor (TK-44-8223)	1
	12	5100961-R014	PANEL, Heater front (TK-99-8257)	1
	13	5100961-R015	PANEL, Heater rear (TK-99-8264)	1
	14	5100961-R016	COIL, Heater water (TK-67-8023)	1
14-12	15	5100961-R002	VALVE, Heater water - 90 degree one end threaded (TK-66-8063)	1
	15	5107861	VALVE, Heater water-w/two hose ends-Optional design (TK-1088A89G06)	1
	16	5100961-R017	ELBOW, Heater water valve (TK 55-8295)	1
	17	5100961-R018	CONNECTOR, Water valve elbow (TK 55-8296)	1
	18	5100961-R019	GROMMET, Elbow connector (TK 33-8021)	1
	19	5100961-R020	HOSE, Heater coil (1/4 ID x 4-1/2) (TK 66-8064)	2
	20	5100961-R021	CLAMP, Heater hose (TK 55-8294)	1
	21	5100961-R022	PANEL, Evaporator front (TK 99-8266)	1
	22	5100961-R023	PANEL, Evaporator rear (TK 99-8267)	1
	23	5100961-R024	COIL, Evaporator (TK 67-8022)	1
	24	5100961-R001	VALVE, Evaporator coil expansion (TK 66-8039)	1
	25	5100961-R025	THERMOSTAT ASSY, Evaporator (TK 44-8170) (29°)	1
	26	5100961-R026	THERMOSTAT, Ambient temperature (TK 44-8225) (45°)	1
	26A	5100961-R031	DIODE, Thermostat (TK-44-4035)	1
	26B	5100961-R032	PLATE, Thermostat mounting (TK 2196BH01)	1
	27	5100961-R027	PAN, Evaporator drip (TK 99-8268)	1
	28	5100961-R028	PLUG, Evaporator drip pan (TK 99-8269)	1
	29	5100961-R029	SPUD, Evaporator drip pan plug (TK 55-8293)	1
	30	5100961-R030	GROMMET, Evaporator drip pan (TK 66-8062)	1
	31	5101604	GROMMET, Drip pan plug	1

REPAIR PARTS LIST

14 Heater and Air
 GROUP Conditioning System
 MODEL 2900 R

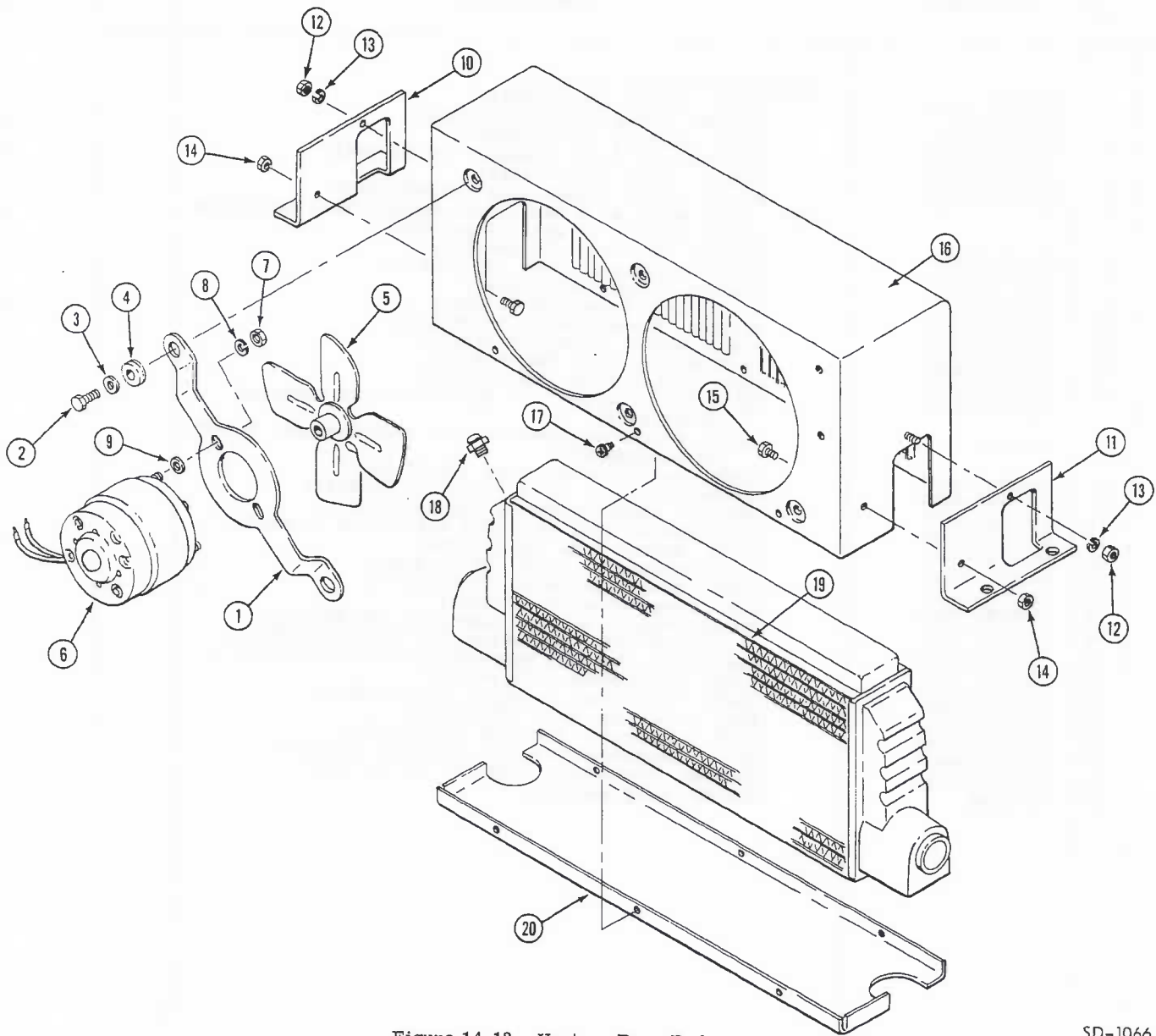


Figure 14-13. Heater, Rear Bedroom

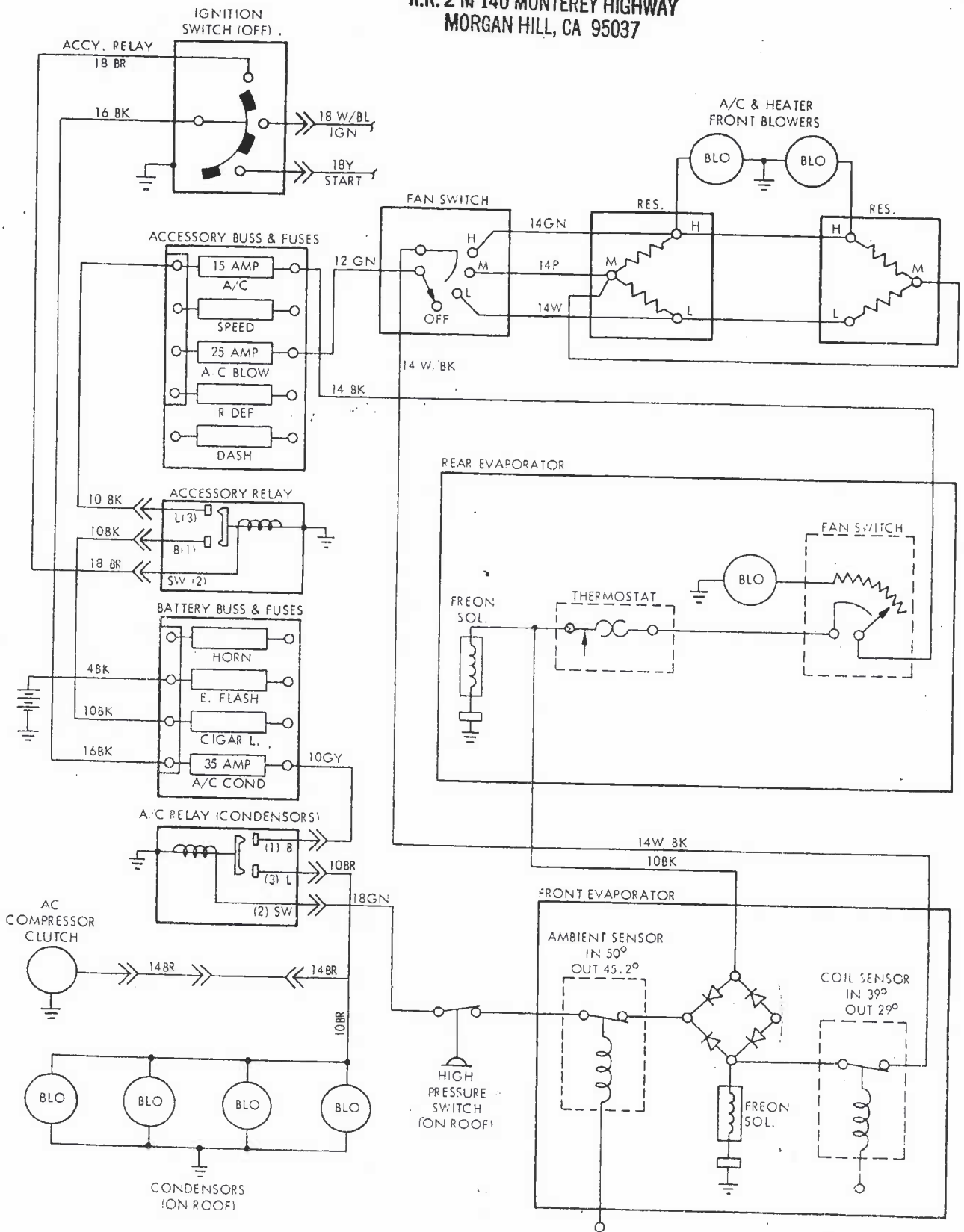
SD-1066

REPAIR PARTS LIST

GROUP 14
MODEL 2900R

FIG NO.	ITEM NO.	PART NUMBER	ITEM DESCRIPTION	QTY PER UNIT
		5106078	HEATER ASSY, Water (27,000 BTU) (EV HV211759) (EV HV220277)	1
14-13		5106078-R002	CONNECTOR, Wire (EV HV20658)	1
		5106078-R003	WIRE ASSY, Lead (36" long) (EV HV205447)	1
		5106078-R004	TERMINAL, (EV HV19445)	1
		5106078-R005	WIRE ASSY, Ground (EV HV205423)	1
		5106078-R004	TERMINAL, (EV HV19445)	1
14-13		5106078-R006	TERMINAL, (EV HV11336A)	1
	1	5106078-R007	BRACKET, Motor mounting (EV HV20803)	2
	2	5106078-R008	SCREW, Mounting bracket attaching (EV 187979)	4
	3	5106078-R009	WASHER, Mounting bracket attaching (1/4 flat) (EV120392)	4
	4	5106078-R010	GROMMET, Mounting bracket attaching (EV HV24450)	4
	5	5106078-R011	FAN, Heater (EV HV21251)	2
14-13	6	5106078-R001	MOTOR ASSY, Heater (EV HV210021)	2
		5106078-R004	TERMINAL, (EV HV19445)	2
		5106078-R012	MOTOR, (EV HV19603)	2
	7	M-17050	NUT, Motor attaching (8-32 hex)	4
	8	M-17071	WASHER, Motor attaching (#10 lock)	4
	9	M-17081	WASHER, Motor attaching (#8 flat)	4
	10	5106078-R013	BRACKET, RH mounting (EV HV20799)	1
	11	5106078-R014	BRACKET, LH mounting (EV HV20798)	1
	12	M-17040	NUT, Mounting brackets attaching (1/4-20)	2
	13	M-17024	WASHER, Mounting brackets attaching (1/4 lock)	2
	14	M-17052	NUT, Mounting brackets attaching (10-24)	2
14-13	15	5106078-R015	SCREW, Mounting brackets attaching (10-24) (EV 445573)	2
	16	5106078-R016	SHELL ASSY, Heater (EV HV220275)	1
	17	5106078-R017	SCREW, Shell attaching (EV 1816)	6
		5106078-R018	SEAL, Rubber, heater core (13-5/16) (EV 661)	1
		5106078-R019	SEAL, Rubber, heater core (4") (EV 1616)	2
		5106078-R020	FELT, Heater core (3-1/2") (EV 7185)	4
	18	5106078-R021	VALVE, Heater core bleeder (EV HV565)	1
	19	5106078-R022	CORE, Heater (EV HV25765)	1
14-13	20	5106078-R023	PANEL, Bottom (EV HV20804)	1

RECREATIONAL VEHICLE SVSC INC
 R.R. 2 M 140 MONTEREY HIGHWAY
 MORGAN HILL, CA 95037



Auto A/C Circuit