

Group 31 Interior Doors and Cabinetry

GENERAL: This group contains information on all interior storage cabinets in the kitchen, rear bedroom, and dinette areas.

SPECIFICS: As applicable

- ...Bath and Shower Vanity Cabinets and Sink
- ...Clothes Closets
- ...Closet and Vanity Mirrors
- ...Dinette Cabinets
- ...Folding Doors
- ...Food Storage Cabinets
- ...Interior Registers (air conditioning and furnace)
- ...Kitchen Cabinets and Sink
- ...Range/Oven Cabinets
- ...Refrigerator Cabinets



FMC Corporation
Motor Coach Division
333 Brokaw Road Box 664 Santa Clara California 95052

REPAIR PARTS LIST

31 Interior Doors
 GROUP and Cabinetry
 MODEL 2900R

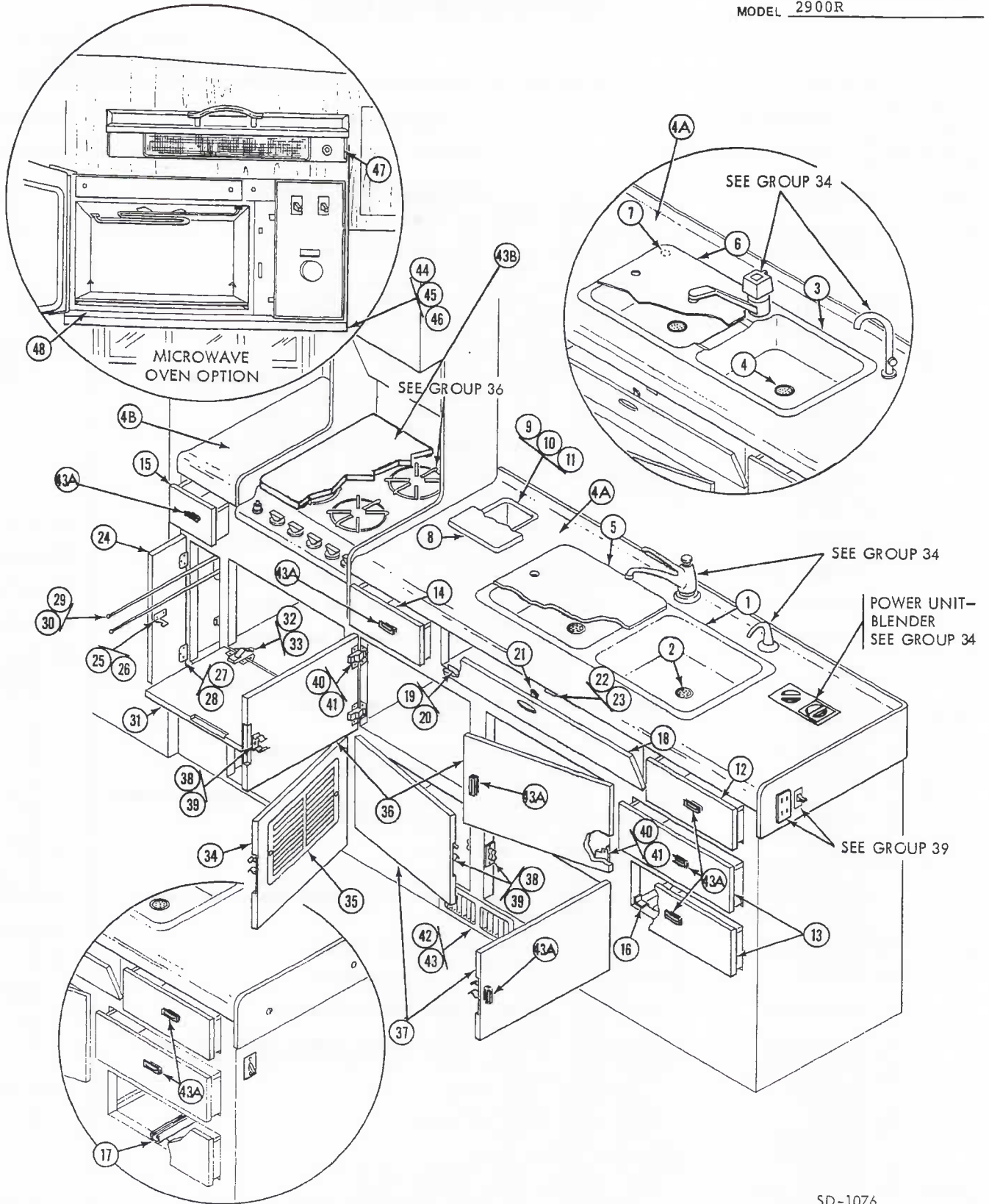


Figure 31-1. Kitchen Cabinets, Lower

SD-1076

REPAIR PARTS LIST

GROUP 31
MODEL 2900R

FIG NO.	ITEM NO.	PART NUMBER	ITEM DESCRIPTION	QTY PER UNIT	
31-1	1	5100279	<u>KITCHEN CABINET - LOWER</u> SINK, Double well, stainless (ZH-TD2716K) (coach 00001 to 00249)	1	
	2	5100279-R001	STRAINER, Sink (ZH-28) (coach 00001 to 00249)	2	
	3	5101719-R002	SINK, Double well, stainless (VS-16615) (coach 00250 and up)	1	
	4	5101719-R012	STRAINER, Sink (coach 00250 and up)	2	
	4A	5100140-01	COUNTERTOP, Sink (coach 00001 to 00249)	1	
	4A	5101881-01	COUNTERTOP, Sink (coach 00250 to 00873)	1	
	4B	5101881-02	COUNTERTOP, Galley (coach 00250 to 00873)	1	
		5101775	LAMINATE, Countertop (green, rust, blue)	10 sq ft	
		M20018	"T" MOLDING, Countertop	5 ft	
		M20020	"T" MOLDING, Countertop (alternate W/M20018)	5 ft	
	4A	5107821-01	COUNTERTOP, Sink (coach 00874 and up) (rust)	1	
		5107821-02	COUNTERTOP, Sink (coach 00874 and up) (green)	1	
		5107821-03	COUNTERTOP, Sink (coach 00874 and up) (blue)	1	
		5107821-04	COUNTERTOP, Sink (coach 00874 and up) (leather)	1	
		5107821-05	COUNTERTOP, Sink (coach 00874 and up) (camel)	1	
		5107821-06	COUNTERTOP, Sink (coach 00874 and up) (leather)	1	
		5107821-07	COUNTERTOP, Sink (coach 00874 and up) (walnut)	1	
		5101775	LAMINATE, Countertop (green, rust, blue) (coaches 00001 to 00873)	10 sq ft	
		5108680	LAMINATE, Countertop (leather, camel, walnut) (coach 00874 and up)	10 sq ft	
		5108875-01	LAMINATE, Countertop (white leather) (coach 00874 and up)	10 sq ft	
		5108874-01	LAMINATE, Countertop (antique leather) (coach 00874 and up)	10 sq ft	
		5108876-01	LAMINATE, Countertop (saddle tan leather) (coach 00874 and up)	10 sq ft	
		M20018	"T" MOLDING, Countertop	5 ft	
		M20020	"T" MOLDING, Countertop (alternate W/M20018)	5 ft	
	31-1	5	5101749	COVER, Sink (coach 00001 through 00249)	2
	31-1	6	5101846	COVER, Sink (coach 00250 and up)	2
	31-1	7	M22107	PAD, Sink cover, cork	8
31-1	8	5101439-01	BLOCK, Maple cutting (coach 00001 to 00757)	1	
31-1	8	5107811	BLOCK, Cutting (coach 00758 and up)	1	
31-1	9	5101445-R001	BASKET, Sink waste	1	
31-1	10	5101444	FACING, Waste basket cutout, aluminum (Sup 5101444-R001)	3 ft	
31-1	11	M14063	SCREW, Waste basket facing (#4 x 1/2)	6	
31-1	12	5100290-R001	DRAWER ASSY, Upper right	1	
31-1	13	5101492	LAMINATE, Drawer front	1 sq ft	
31-1	13	5100290-R004	DRAWER ASSY, Lower right	2	
31-1		5101084-01	LAMINATE, Drawer front (vertical grain)	1 sq ft	
31-1		5101084-02	LAMINATE, Drawer front (horizontal grain, optional)	1 sq ft	
31-1	14	5100290-R002	DRAWER ASSY, Upper center	1	
31-1		5101492	LAMINATE, Drawer front	1 sq ft	
31-1	15	5100290-R003	DRAWER ASSY, Upper left (below range)	1	
31-1		5101492	LAMINATE, Drawer front	1 sq ft	
31-1	16	5100392	SLIDE ASSY, Drawer, nylon (LH and RH) (coach 00001 through 00249)	5 pr	
31-1	17	5101790-01	SLIDE ASSY, Drawer, upper and lower right (coach 00250 and up)	3	
31-1	17	5101790-03	SLIDE ASSY, Drawer, upper center (coach 00250 and up)	1	
31-1	17	5101790-02	SLIDE ASSY, Drawer, upper left (coach 00250 and up)	1	
31-1	18	5100290-R005	DOOR, Sink center	1	
31-1		5101492	LAMINATE, Door front	1 sq ft	
31-1	19	M23001	HINGE, Sink center door	2	
31-1	20	M14024	SCREW, Door hinge (#6 x 1/2)	8	
31-1	21	5101489-01	LATCH, Center door	1	
31-1	22	5101489-02	STRIKER, Center door	1	
31-1	23	M14028	SCREW, Center door striker (#8 x 1/2)	2	
31-1	24	5100290-R010	DOOR, Kitchen towel (lower left)	1	
31-1		5101084-01	LAMINATE, Door front (vertical grain)	1 sq ft	
31-1		5101084-02	LAMINATE, Door front (horizontal grain, optional)	1 sq ft	
31-1	25	M23006	LATCH, Towel door	1	
31-1	26	M14028	SCREW, Towel door latch (#8 x 1/2)	4	
31-1	27	M23001	HINGE, Towel door	2	

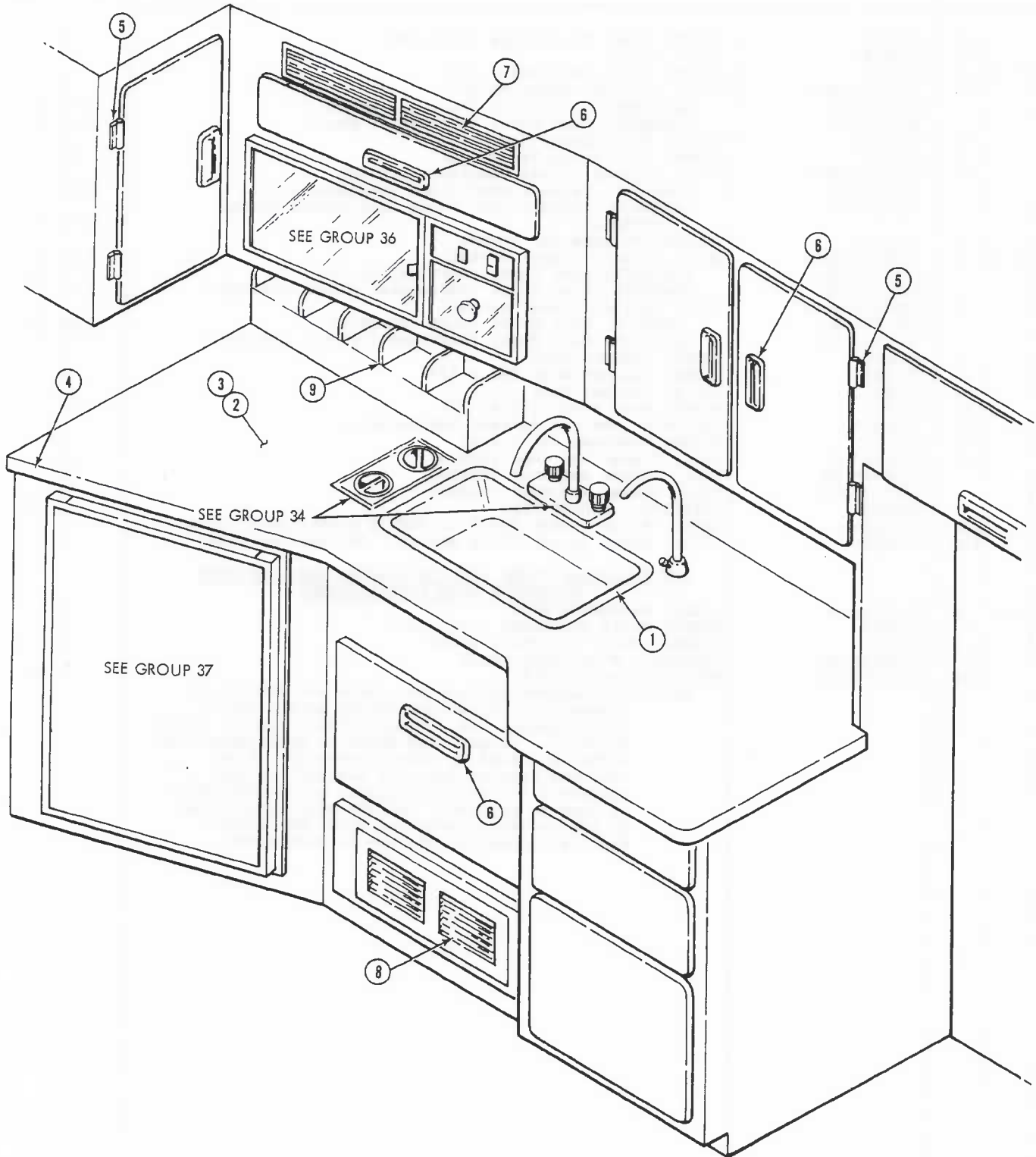
REPAIR PARTS LIST

GROUP 31
MODEL 2900R

FIG NO.	ITEM NO.	PART NUMBER	ITEM DESCRIPTION	QTY PER UNIT	
31-1	28	M14024	SCREW, Towel door hinge (#6 x 1/2)	12	
	29	5100294	RACK, Towel	1	
	30	M14026	SCREW, Towel rack (#8 x 3/4)	4	
	31	5100290-R008	DOOR, Cabinet (below range)	1	
		5101084-01	LAMINATE, Door front (vertical grain)	1 sq ft	
		5101084-02	LAMINATE, Door front (horizontal grain)	1 sq ft	
	32	5100291	HINGE, Door (below range)	2	
	33	M14024	SCREW, Door hinge (#6 x 1/2)	16	
	34	5100290-R009	DOOR, Furnace access (includes grille)	1	
		5101084-01	LAMINATE, Furnace door front (vertical grain)	1 sq ft	
		5101084-02	LAMINATE, Furnace door front (horizontal grain, optional)	1 sq ft	
	31-1	35	5100718	GRILLE, Furnace air intake	1
		36	5100290-R006	DOOR, Cabinet (upper center)	2 sq ft
			5101084-01	LAMINATE, Door front (vertical grain)	2 sq ft
		5101084-02	LAMINATE, Door front (horizontal grain, optional)	2 sq ft	
37		5100290-R007	DOOR, Cabinet (lower center)	2	
		5101084-01	LAMINATE, Door front (vertical grain)	2 sq ft	
		5101084-02	LAMINATE, Door front (horizontal grain, optional)	2 sq ft	
38		M23007	LATCH, Cabinet door	5	
39		M14028	SCREW, Cabinet door (#8 x 1/2)	10	
40		M23001	HINGE, Cabinet door	10	
41		M14024	SCREW, Door hinge (#6 x 1/2)	20	
42		5101493	REGISTER, Hot air furnace (adjustable)	1	
43		M14041	SCREW, Register (#6 x 1/2)	2	
43A		5106948-01	PULL, Drawer and door (brown)	10	
	5106948-02	PULL, Drawer and door (white)	10		
	5106948-03	PULL, Drawer and door (black)	10		
	M19083	ADHESIVE - DRAWER PULL	1 oz		
43B	5107120	COVER, Range (coach 00001 to 00872) green, rust, blue	1		
43B	5108856	COVER, Range (coach 00873 and up) leather laminate	1		
<u>THE FOLLOWING ITEMS USED ON COACHES EQUIPPED WITH MICROWAVE OVEN INSTALLATIONS</u>					
31-1	44	5101796-10	SHELF, Microwave oven	1	
	45	M14027	SCREW, Shelf attaching (#8 x 3/4)	4	
	46	M17057	WASHER, Shelf attaching screw	4	
	47	5100825-01	MOULDING, Power vent shelf	2 ft	
	48	5101796-04	MOULDING, Oven shelf	3 ft	
<p>NOTE: All cabinet drawers and doors are subject to dimensional variations during production to obtain proper fit. Please supply length, width, thickness, height, and depth as applicable when ordering a door or drawer assembly. Also indicate type of laminate desired, whether horizontal or vertical grain, or specify color if item is painted. FMC/RVD will supply item in the current production color or laminate that is closest to the one in your coach.</p>					

REPAIR PARTS LIST

31 Interior Doors
and Cabinetry
GROUP _____
MODEL 2900R _____



31-1.1 Kitchen Cabinets - Model "M" Only



FMC Corporation
Motor Coach Division
333 Brokaw Road Box 664 Santa Clara California 95052

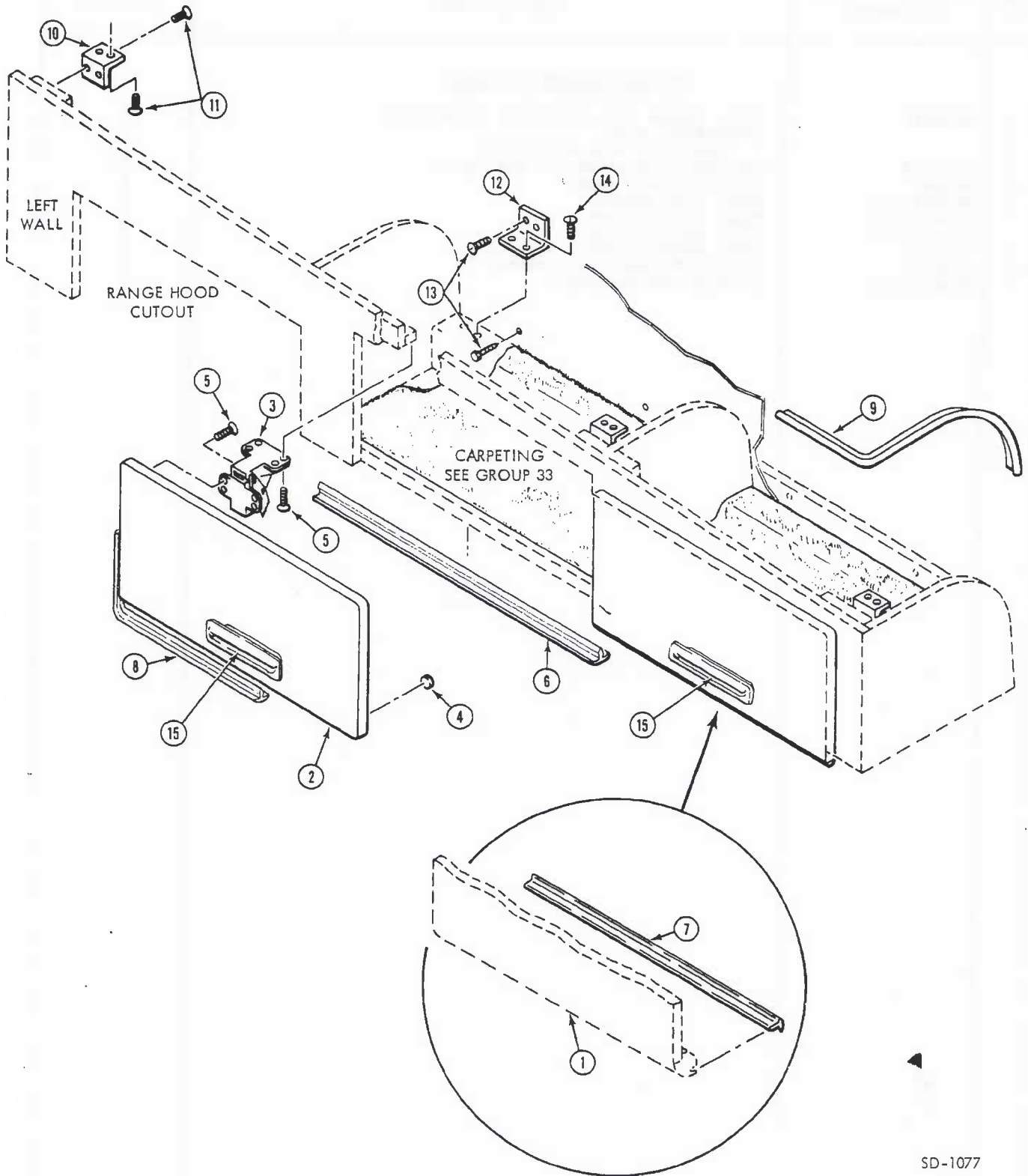
REPAIR PARTS LIST

GROUP 31
MODEL 2900R

FIG NO.	ITEM NO.	PART NUMBER	ITEM DESCRIPTION	QTY PER UNIT
<u>KITCHEN CABINET "M" ONLY</u>				
31-1.1	1	5106083	SINK, Single well-stainless (PC-131-8)	1
	2		COUNTERTOP, Sink	1
	3		LAMINATE, Sink countertop	1
31-1.1	4	5106353	MOLDING, Countertop (1" Tee style)	6 ft
	5	M23001	HINGE, Cabinet door	6
	6	5106948-01	PULL, Door (brown)	6
		5106948-02	PULL, Door (white)	6
31-1.1		5106948-03	PULL, Door (black)	6
	7	5101935	VENT, Refrigerator	1
	8	5100718	GRILLE, Furnance air intake	1
	9	5106098-01	DIVIDER, Bar cabinet	6

REPAIR PARTS LIST

31 Interior Doors
 and Cabinetry
 GROUP
 MODEL 2900R



SD-1077

Figure 31-2. Kitchen Cabinets, Upper

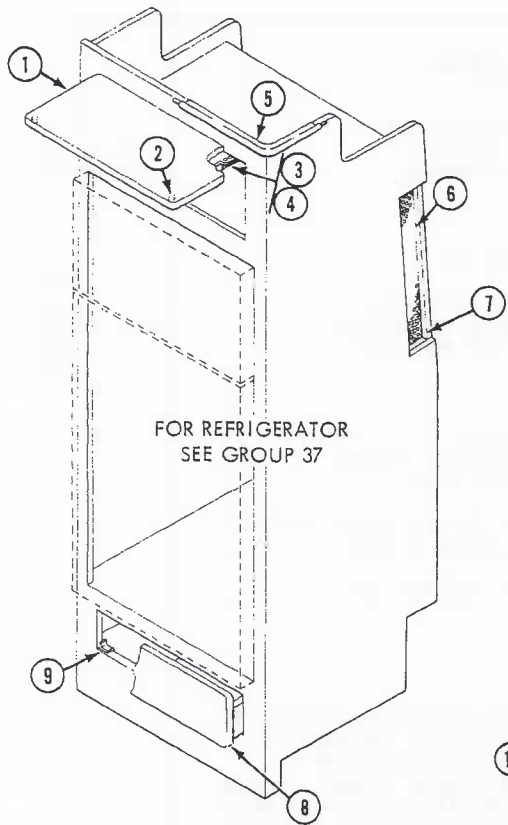
REPAIR PARTS LIST

GROUP 31
MODEL 2900R

FIG NO.	ITEM NO.	PART NUMBER	ITEM DESCRIPTION	QTY PER UNIT	
31-2	1	5100461-R001	<u>KITCHEN CABINETS - UPPER</u>		
	1	5100461-R002	DOOR, Forward (coach 00001 to 00006)	1	
	2	5100461-R003	DOOR, Rear (coach 00001 to 00006)	1	
		5101084-01	DOOR, Forward and rear (coach 00007 and up)	2	
		5101084-02	LAMINATE, Door front (vertical grain)	2 sq ft	
		5100291	LAMINATE, Door front (horizontal grain)	2 sq ft	
		M22107	HINGE, Forward and rear door	4	
		M14024	PAD, Door cork	4	
		M20068	SCREW, Door hinge (#6 x 1/2)	32	
	31-2	6	5100825-01	MOULDING, Cabinet edge (sup 5100393-01) (coach 00001 to 00249)	5 ft
		7	5101429	MOULDING, Cabinet edge (coach 00250 and up)	5 ft
		8	M20068	MOULDING, Cabinet bumper (coach 00001 to 00006)	5 ft
		9	5101080-02	MOULDING, Door perimeter (coach 00007 and up)	5 ft
			M25088	GIMP, Cabinet to ceiling	9 ft
			5101151-21	STAPLE, Gimp to ceiling	15
		M14053	BRACKET, Cabinet to ceiling	3	
		5101606	SCREW, Bracket to ceiling (#10 x 3/4)	12	
		M14014	BRACKET, Cabinet to wall (coach 00001 to 00249)	2	
		M14040	SCREW, Cabinet bracket to wall (#3 x 5/8) (coach 00001 to 00249)	8	
31-2	14	5106948-01	SCREW, Cabinet to wall (#10 x 1/2) (coach 00250 and up)	4	
		5106948-02	PULL - CABINET DOOR (Brown) (Coach 00646 & up)	2	
		5106948-03	PULL - CABINET DOOR (White)	2	
		M19083	PULL - CABINET DOOR (Black) (Coach 00646 & up)	2	
			ADHESIVE - DOOR PULL	1 oz	
			NOTE: For carpeting used inside cabinets see Group 33.		
			NOTE: All cabinet drawers and doors are subject to dimensional variations during production to obtain proper fit. Please supply length, width, thickness, height, and depth as applicable when ordering a door or drawer assembly. Also indicate type of laminate desired, whether horizontal or vertical grain, or specify color if item is painted. FMC/RVD will supply item in the current production color or laminate that is closest to the one in your coach.		

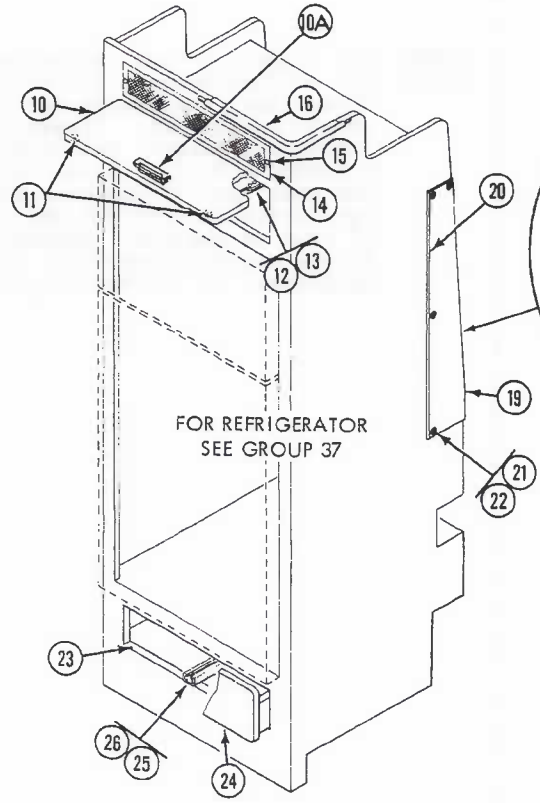
REPAIR PARTS LIST

31 Interior Doors
 and Cabinetry
 GROUP _____
 MODEL 2900R



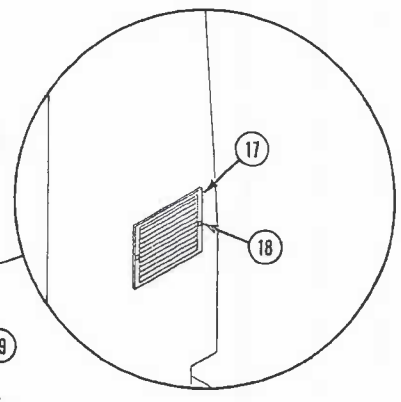
FOR REFRIGERATOR
 SEE GROUP 37

COACH 00001 TO 00424



FOR REFRIGERATOR
 SEE GROUP 37

COACH 00425 UP



SD-1078

Figure 31-3. Refrigerator Cabinet

REPAIR PARTS LIST

GROUP 31
MODEL 2900R

FIG NO.	ITEM NO.	PART NUMBER	ITEM DESCRIPTION	QTY PER UNIT
			<u>REFRIGERATOR CABINET</u> <u>(COACH 00001 to 00424)</u>	
31-3	1	5101278-R002	DOOR, Refrigerator cabinet	1
		5101084-01	LAMINATE, Door front (vertical grain)	2 sq ft
		5101084-02	LAMINATE, Door front (horizontal grain)	2 sq ft
	2	M22197	PAD, Door cork	2
	3	5100291	HINGE, Cabinet door	2
	4	M14024	SCREW, Cabinet door hinge (#6 x 1/2)	16
	5	5101080-02	GIMP, Cabinet to ceiling	18 ft
31-3	6	5101607	VENT, Refrigerator cabinet	1
	7	5101387	MOULDING, Cabinet vent	5 ft
	8	5101278-R001	DRAWER, Refrigerator cabinet	1
		5101084-01	LAMINATE, Door front (vertical grain)	1 sq ft
		5101084-02	LAMINATE, Door front (horizontal grain)	1 sq ft
	9	5100392	SLIDE, Cabinet drawer (one pair)	1
			<u>REFRIGERATOR CABINET</u> <u>(COACH 00425 AND UP)</u>	
31-3	10	5101906-04	DOOR, Refrigerator cabinet	1
		5101084-01	LAMINATE, Door front (vertical grain)	3 sq ft
		5101084-02	LAMINATE, Door front (horizontal grain)	3 sq ft
	10A	5106948-01	PULL, Door (brown) (coach 00646 & up)	1
		5106948-02	PULL, Door (white) (coach 00646 & up)	1
		5106948-03	PULL, Door (black) (coach 00646 & up)	1
		M19083	ADHESIVE, Door pull	1 oz
	11	M22197	PAD, Cabinet door cork	2
	12	5100291	HINGE, Cabinet door	2
	13	M14025	SCREW, Door hinge (#6 x 5/8)	16
	14	5101935	REGISTER, Refrigerator vent	1
	15	M14024	SCREW, Vent register (#6 x 1/2)	2
31-3	16	5101080-02	GIMP, Cabinet to ceiling	18 ft
		M25088	STAPLE, Gimp to ceiling	50
	17	5101936	REGISTER, Refrigerator inlet (optional construction)	1
	18	M14024	SCREW, Register attaching (#6 x 1/2)	2
	19	5101906-22	COVER, Refrigerator electric plug access	1
		5101084-01	LAMINATE, Cover (vertical grain)	1 sq ft
		5101084-02	LAMINATE, Cover (horizontal grain)	1 sq ft
	20	5101387	MOULDING, Refrigerator cover	2 ft
	21	M14071	SCREW, Access cover #8 x 5/8)	4
31-3	22	M17057	WASHER, Cover screw (#8 chrome)	4
	23	5100825-01	MOULDING, Drawer and door edge	5 ft
	24	5101906-05	DRAWER, Refrigerator cabinet	1
		5101084-01	LAMINATE, Drawer front (vertical grain)	3 sq ft
		5101084-02	LAMINATE, Drawer front (horizontal grain)	3 sq ft
	25	5101790-02	SLIDE ASSY, Cabinet drawer	1
	26	M14048	SCREW, Drawer slide (#6 x 3/8)	3
			NOTE: All cabinet drawers and doors are subject to dimensional variations during production to obtain proper fit. Please supply length, width, thickness, height, and depth as applicable when ordering a door or drawer assembly. Also indicate type of laminate desired, whether horizontal or vertical grain or specify color if item is painted. FMC/RVD will supply item in the current production color or laminate that is closest to the one in your coach.	

REPAIR PARTS LIST

31 Interior Doors
and Cabinetry
GROUP _____
MODEL 2900 R _____

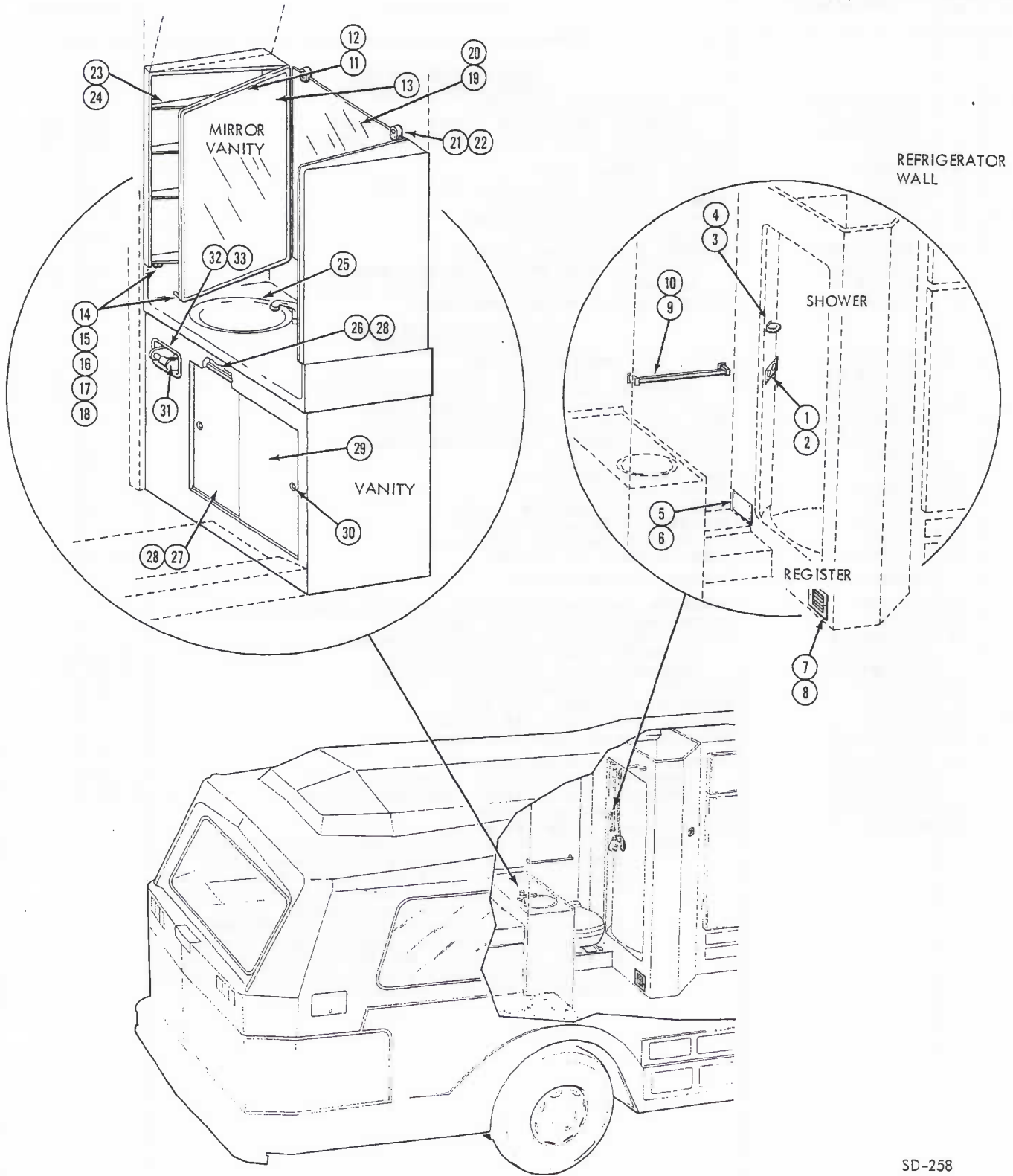


Figure 31-4. Shower and Vanity (coach 00001 to 00239)

SD-258

REPAIR PARTS LIST

GROUP 31
MODEL 2900R

FIG NO.	ITEM NO.	RVD PART NUMBER	ITEM DESCRIPTION	QTY PER UNIT
SHOWER AND VANITY (COACH 00001 TO 00239)				
31-4	1	5101954	PLATE, Shower valve mounting	1
	2	M14202	SCREW, Shower valve plate (#8 x 5/8) (sup 5100028-04)	4
	3	5101472	HOLDER, Soap	1
	4	M14017	SCREW, Soap holder	2
	5	5100028-03	COVER, Shower stall access	1
31-4	6	M14202	SCREW, Shower access cover (#8 x 5/8)	5
	7	5100712	REGISTER, Hot air (white)	1
	8	M14042	SCREW, Register (#6 x 1/2)	2
NOTE: Shower curtain and rod, see Group 33. Shower drain, see Group 35.				
	9	5100354	BAR, Towel (18 inch)	1
	10	M14017	SCREW, Towel bar	4
	11	5100032	DOOR, Medicine cabinet	2
31-4	12	M25043	RIVET, Cabinet door	10
	13	5100032-R001	MIRROR, Medicine cabinet	2
	14	5100028-38	CATCH AND ROLLER ASSY, Cabinet door	2
	15	M25029	RIVET, Cabinet door catch	2
	16	M14256	BOLT, Catch to shelf (#8-32 x 3/8)	4
	17	M17050	NUT, Catch bolt (#8-32)	4
31-4	18	M17051	WASHER, Catch bolt (#8 split-lock)	4
	19	5100031	MIRROR, Vanity	1
	20	5100031-R001	SPACER, Vanity mirror attaching	4
	21	M17088	ROSETTE, Vanity mirror	4
	22	M14058	SCREW, Vanity mirror rosette (#8 x 1-1/4)	4
	23	5100036-01	SHELF, Medicine cabinet (outboard side)	4
		5100036-02	SHELF, Medicine cabinet (inboard side)	4
31-4	24	M25077	RIVET, Shelf	40
	25	5100030	SINK ASSY, Vanity	1
	26	5101840-02	TRACK, Vanity sliding door - upper (25" long) (sup 5101290-01)	1
	27	5101840-01	TRACK, Vanity sliding door - lower (25" long) (sup 5101290-02)	1
	28	M14029	SCREW, Track attaching (#6 x 1/2)	4
	29	5100028-10	DOOR, Vanity, sliding	2
NOTE: Above item available in blue, olive, and russet. Specify color when ordering.				
31-4	30	5101291	PULL, Vanity door	2
	31	5101471-01	HOLDER, Paper	1
	32	5101471-02	CLAMP, Paper holder	1
	33	M14040	SCREW, Holder to clamp	2

REPAIR PARTS LIST

31 Interior Doors
and Cabinetry
GROUP _____
MODEL 2900R _____

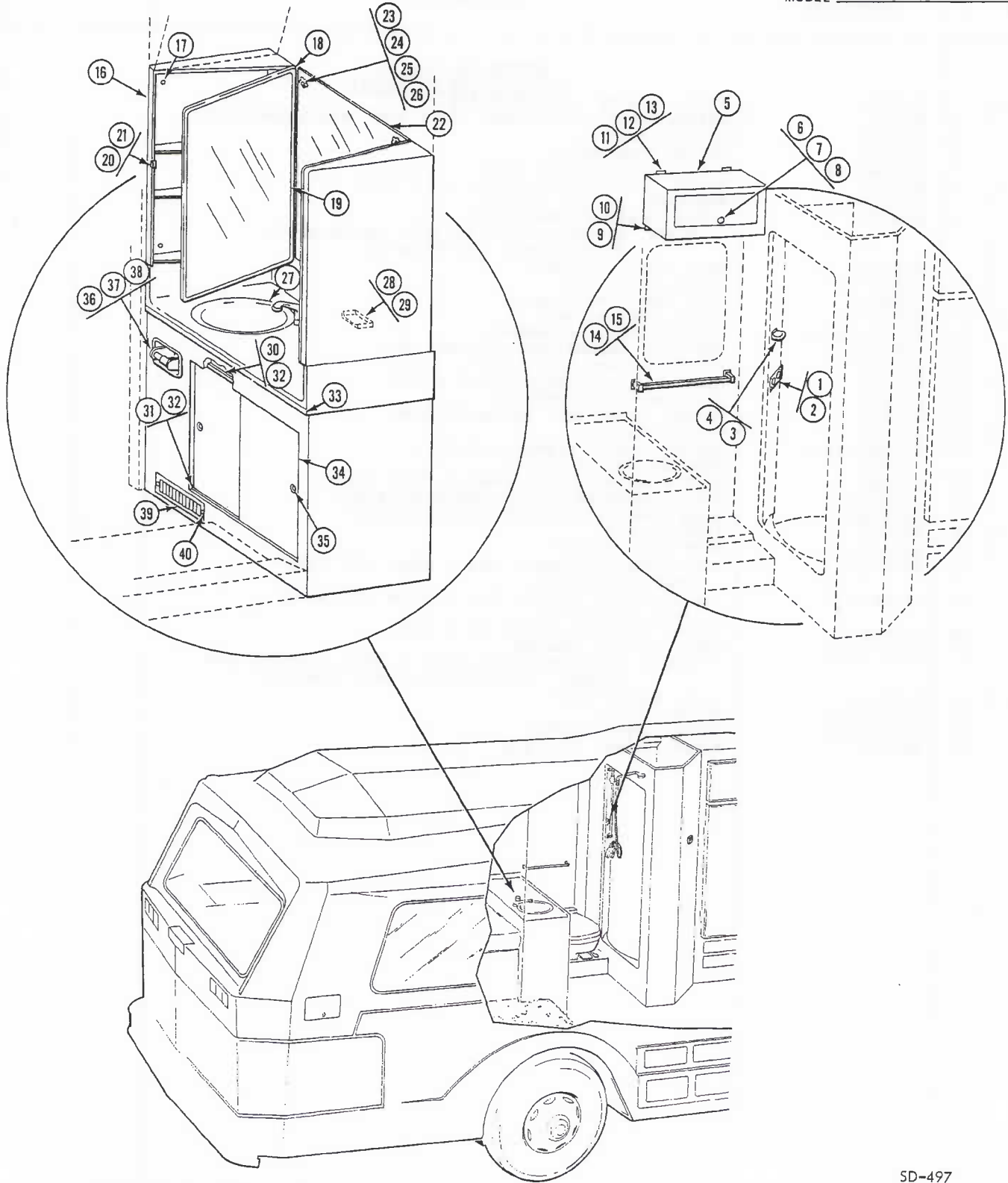


Figure 31-5. Shower and Vanity (coach 00240 and up)

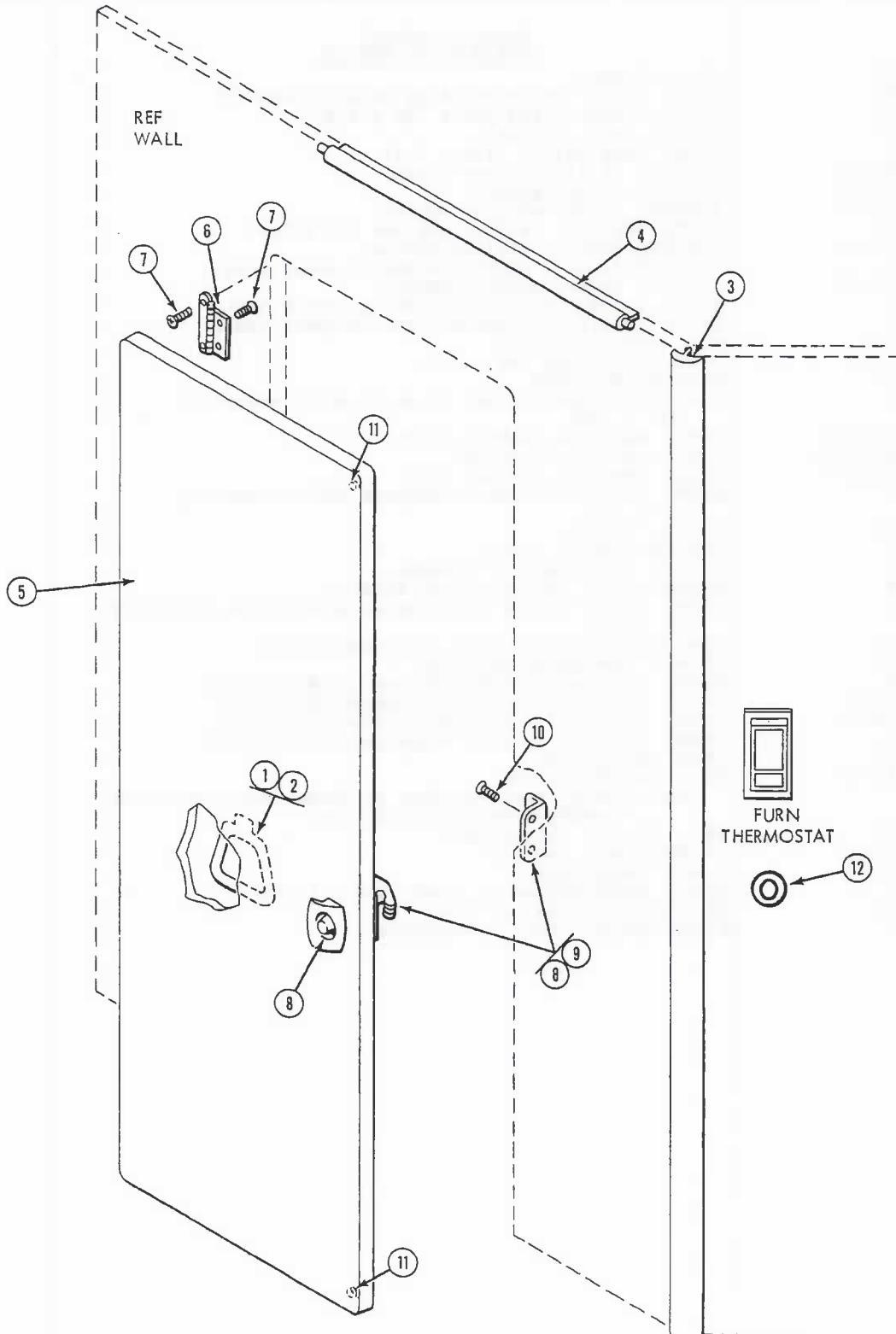
REPAIR PARTS LIST

GROUP 31
MODEL 2900R

FIG NO.	ITEM NO.	PART NUMBER	ITEM DESCRIPTION	QTY PER UNIT
			<u>BATHROOM MODULE</u> <u>(COACH 00240 AND UP)</u>	
31-5	1	5101741	STALL, Shower	1
31-5	2	5101954	PLATE, Shower valve mounting (sup 5100028-04)	1
31-5	3	M14202	SCREW, Shower valve plate (#8 x 5/8)	4
	4	5101472	HOLDER, Soap, shower	1
	5	M14017	SCREW, Soap holder (#10 x 1/2)	2
31-5	6	5101742-64	CABINET, Utility (above window)	1
	7	5101489-01	LATCH, Utility cabinet	1
	8	5101489-02	STRIKER, Latch, utility cabinet	1
	9	M14063	SCREW, Striker, utility cabinet (#4 x 1/2)	2
	10	5101742-59	BRACKET, Bottom, utility cabinet	2
	11	M25044	RIVET, Utility cabinet bracket to shear panel	8
31-5	12	5101742-42	BRACKET, Upper, utility cabinet	2
	13	M14048	SCREW, Bracket to utility cabinet (#6 x 3/8)	6
	14	M25044	RIVET, Utility cabinet bracket to shear panel	6
	15	5100354	BAR, Towel, bathroom	1
	16	M14015	SCREW, Towel bar (#8 x 1/2)	4
	17	5101785	CABINET, Medicine	2
		M14017	SCREW, Bathroom cabinet to shear panel attaching (#10 x 1/2)	12
31-5	18	5101785-R002	FRAME, Bathroom cabinet mirror	2
	19	5101785-R003	MIRROR, Bathroom cabinet	2
	20	5101785-R001	LATCH, Bathroom cabinet door	2
	21	M14077	SCREW, Latch to bathroom cabinet door, attaching (#4 x 3/8)	4
31-5	22	5100031	MIRROR, Vanity	1
	23	M17088	ROSETTE, Vanity mirror	4
	24	M22120	SLEEVE, Vanity mirror rosette	4
	25	M22119	WASHER, Felt, vanity mirror rosette	4
	26	M14025	SCREW, Vanity mirror and rosette to aft face attaching (#6 x 5/8)	4
	27	5101873	SINK AND COUNTERTOP ASSY, Bathroom vanity	1
	28	5101900	HOLDER, Toothbrush and tube	1
31-5	29	M14036	SCREW, Toothbrush holder to vanity (#10 x 1/2)	2
	30	5101840-01	TRACK, Vanity sliding door - upper (25" long)	1
	31	5101840-02	TRACK, Vanity sliding door - lower (25" long)	1
	32	M14029	SCREW, Track to vanity, attaching (#8 x 1-1/4)	4
	33	5101905	TRIM, Vanity sink	1
	34	5101841-02	DOOR, Vanity sliding	2
			NOTE: Above item available in green, rust, and blue. Specify color when ordering.	
31-5	35	5101291	PULL, Finger, vanity door	2
	36	5101471-01	HOLDER, Paper, vanity	1
	37	5101471-02	CLAMP, Paper holder	1
	38	M14040	SCREW, Paper holder to clamp (#10 x 1-1/2)	2
	39	5101493	REGISTER, Furnace hot air	1
	40	M14024	SCREW, Furnace hot air register	2

REPAIR PARTS LIST

31 Interior Doors
 and Cabinetry
 GROUP _____
 MODEL 2900 R



SD-498

Figure 31-6. Bathroom Door (Coach 00001 to 00239)

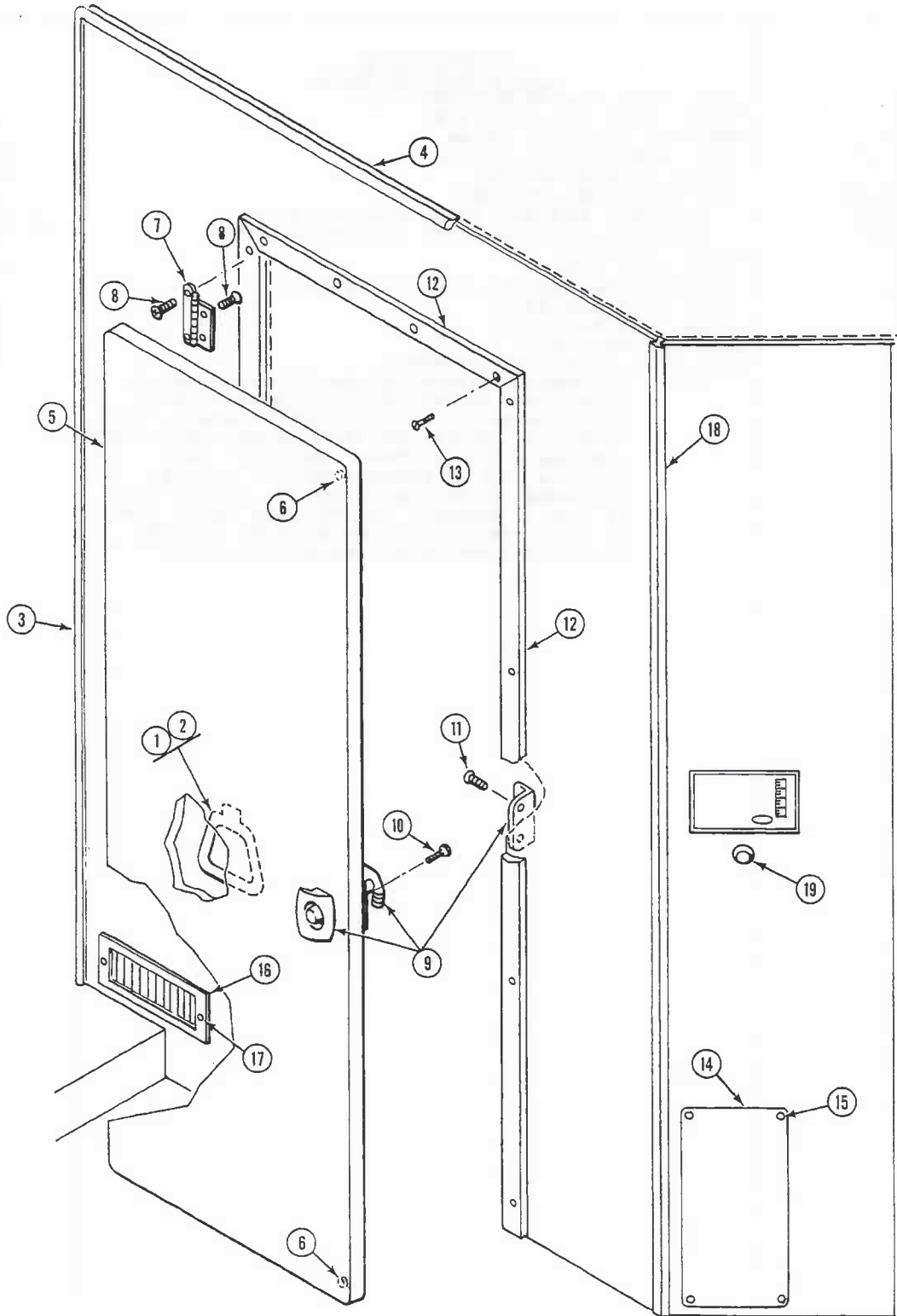
REPAIR PARTS LIST

GROUP 31
MODEL 2900R

FIG NO.	ITEM NO.	RVD PART NUMBER	ITEM DESCRIPTION	QTY PER UNIT	
31-6	1	5100355	BATHROOM DOOR (COACH 00001 TO 00239)		
	2	M14202	RING, Towel (inside bathroom door)	1	
	3	5100882	SCREW, Towel ring (#8 x 5/8)	2	
	4	5101080-02	MOULDING, Bath wall corner	7 ft	
		M25088	GIMP, Bath panel to ceiling	18 ft	
	5	5100028-R002	STAPLE, Gimp to ceiling	50	
		5101084-01	DOOR W/HARDWARE, Bathroom	1	
		5101084-02	LAMINATE, Bath door front (vertical grain)	26 sq ft	
	31-6	6	5101277	LAMINATE, Bath door front (horizontal grain)	26 sq ft
		7	M14041	HINGE, Bath door	3
		8	5100107	SCREW, Door hinge	15
		9	M14249	LATCH W/PLATE, Bath door (inside, white)	1
10		M14025	SCREW, Bath door latch	2	
11		M22107	SCREW, Bath door latch	2	
	12	5101810	PAD, Bath door cork	2	
			DOOR STOP, Thermostat protector	1	
<p>NOTE: All cabinet drawers and doors are subject to dimensional variations during production to obtain proper fit. Please supply length, width, thickness, height, and depth as applicable when ordering a door or drawer assembly. Also indicate type of laminate desired, whether horizontal or vertical grain, or specify color if item is painted. FMC/RVD will supply item in the current production color or laminate that is closest to the one in your coach.</p>					

REPAIR PARTS LIST

31 Interior Doors
and Cabinetry
GROUP _____
MODEL 2900R



SD-499

Figure 31-7. Bathroom Door (coach 00240 and up)

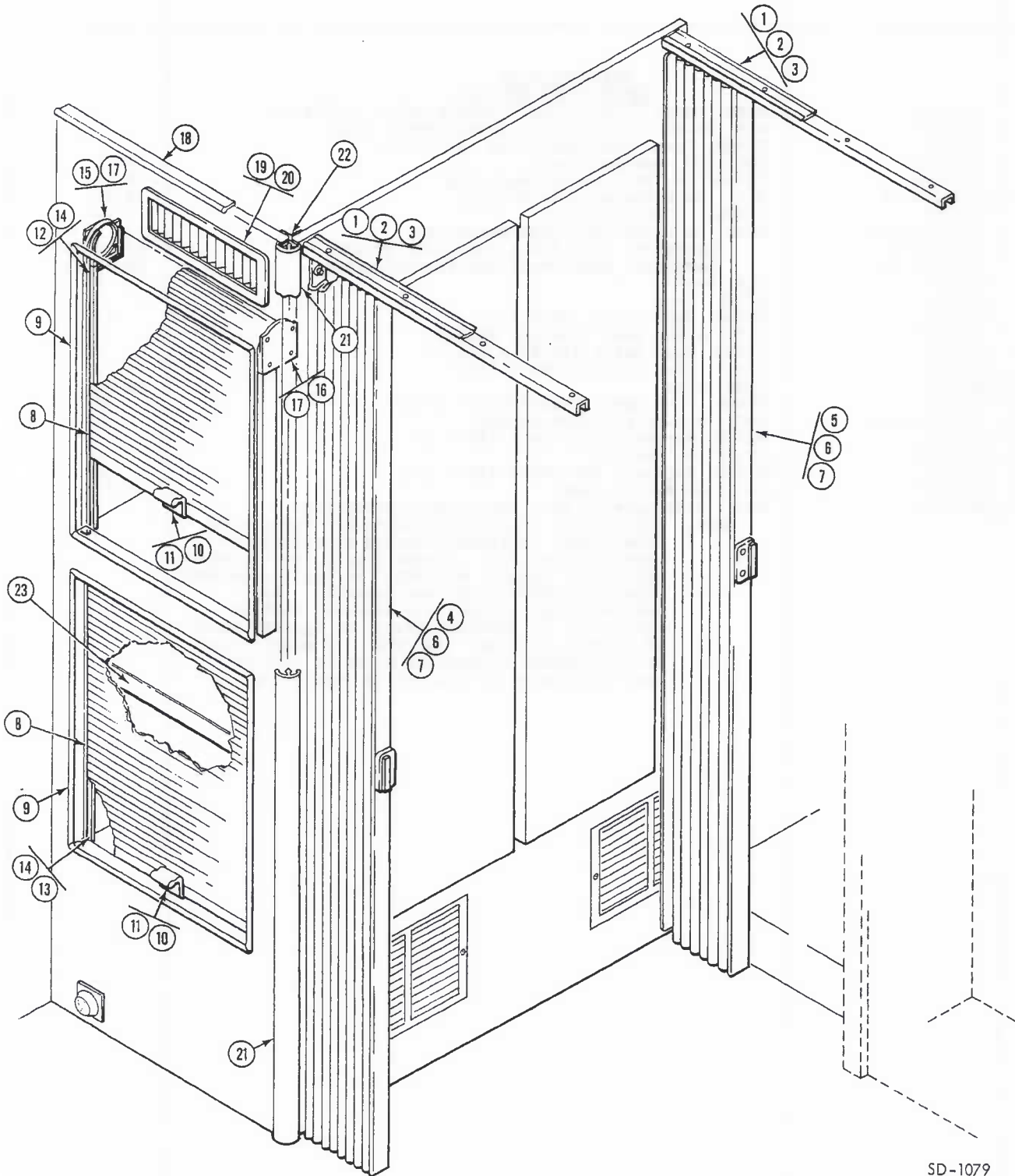
REPAIR PARTS LIST

GROUP 31
MODEL 2900R

FIG NO.	ITEM NO.	PART NUMBER	ITEM DESCRIPTION	QTY PER UNIT
			BATHROOM DOOR COACH 00240 AND UP)	
31-7	1	5100355	RING, Towel (inside door) (coach 00001 to 00645)	1
		5100354	BAR, Towel (inside door) (coach 00646 & up)	1
	2	M12042	SCREW, Towel ring attaching (#8 x 5/8)	2
	3	5100882	MOULDING, Bathroom wall	7 ft
		5100124	EXTRUSION, Bath corner mounting	8 ft
	4	5101080-02	GIMP, Bathroom wall to ceiling	18 ft
		M25088	STAPLE, Gimp to ceiling	50
	5	5101742-R001	DOOR, Bathroom (includes hardware)	1
		5101084-01	LAMINATE, Door front (vertical grain)	26 sq ft
		5101084-02	LAMINATE, Door front (horizontal grain)	26 sq ft
31-7	6	M22107	PAD, Door	2
	7	M23001	HINGE, Door	3
	8	M14041	SCREW, Door hinge (#6 x 1/2)	15
	9	5100107	LATCH ASSY, Door (inside, white)	1
	10	M14249	SCREW, Door latch (#6-32 x 1-1/4)	2
	11	M14012	SCREW, Door striker (#4 x 1/2)	2
31-7	12	M13021	JAMB, Door	12 ft
	13	M14054	SCREW, Door jamb attaching (#6 x 3/4)	30
	14	5101742-100	DOOR, Shower plumbing access	1
	15	M14065	SCREW, Shower access door (#6 x 1)	4
	16	5101493	REGISTER, Hot air	1
	17	M14024	SCREW, Register attaching (#6 x 1/2)	2
31-7	18	5101430	MOULDING, Bath corner	8 ft
	19	5101810	STOP, Refrigerator door (thermostat protector)	1
			NOTE: All cabinet drawers and doors are subject to dimensional variations during production to obtain proper fit. Please supply length, width, thickness, height, and depth as applicable when ordering a door or drawer assembly. Also indicate type of laminate desired, whether horizontal or vertical grain, or specify color if item is painted. FMC/RVD will supply item in the current production color or laminate that is closest to the one in your coach.	

REPAIR PARTS LIST

31 Interior Doors
and Cabinetry
GROUP _____
MODEL 2900R _____



SD-1079

Figure 31-8. Folding and Sliding Doors

REPAIR PARTS LIST

31

GROUP _____
MODEL 2900R

FIG NO.	ITEM NO.	PART NUMBER	ITEM DESCRIPTION	QTY PER UNIT
<u>FOLDING AND SLIDING DOORS</u>				
31-8	1	5100222-01	RAIL, Folding door slide (sup 5100222-R002)	2
	2	5101887	TRIM, Door rail to ceiling (gold finish)	2
	3	M25044	RIVET, Door rail and trim to ceiling (sup M14025)	10
	4	5106179-01	DOOR, Hallway (inc. slide rail and magnetic catch) (sup 5100223)	1
	5	5106179-02	DOOR, Bedroom (inc. slide rail and magnetic catch) (sup 5100222-02)	1
31-8	6	M14022	SCREW, Door attaching (#8 x 5/8)	8
	7	M17057	WASHER, Door attaching screw (#8)	8
	8	5101977-15	DOOR, W/Handle, hall storage tambour (sup 5101261-D01)	2
	9	5101387	MOULDING, Tambour cabinet	14 ft
31-8	10	5101416	HANDLE, Tambour door	2
	11	M14082	SCREW, Tambour door	4
	12	5101977-46	TRACK, Top tambour door (21") (sup 5101262-R001)	2
	13	5101977-74	TRACK, Bottom tambour door (20") (sup 5101262-R002)	2
	14	M14046	SCREW, Door track attaching (#10 x 1/2)	12
	15	5101263	SPIRAL, Tambour door wind-up (outboard)	2
	16	5101264	SPIRAL, Tambour door wind-up (inboard)	2
31-8	17	M14046	SCREW, Spiral attaching (#10 x 1/2)	12
	18	5101080-02	GIMP, Wall to ceiling	26 ft
		M25088	STAPLE, Gimp to ceiling	50
	19	5101244	REGISTER, A/C outlet	1
	20	M14024	SCREW, A/C outlet register (#6 x 1/2)	2
	21	5100882	MOULDING, Closet to tambour door corner	7 ft
	22	5100124	EXTRUSION, Closet corner mounting	7 ft
	23	5106952	MOULDING, Vanity shelf (outside corner - pecan - coach 00646 & up)	2 ft

REPAIR PARTS LIST

31 Interior Doors
 and Cabinetry
 GROUP _____
 MODEL 2900R

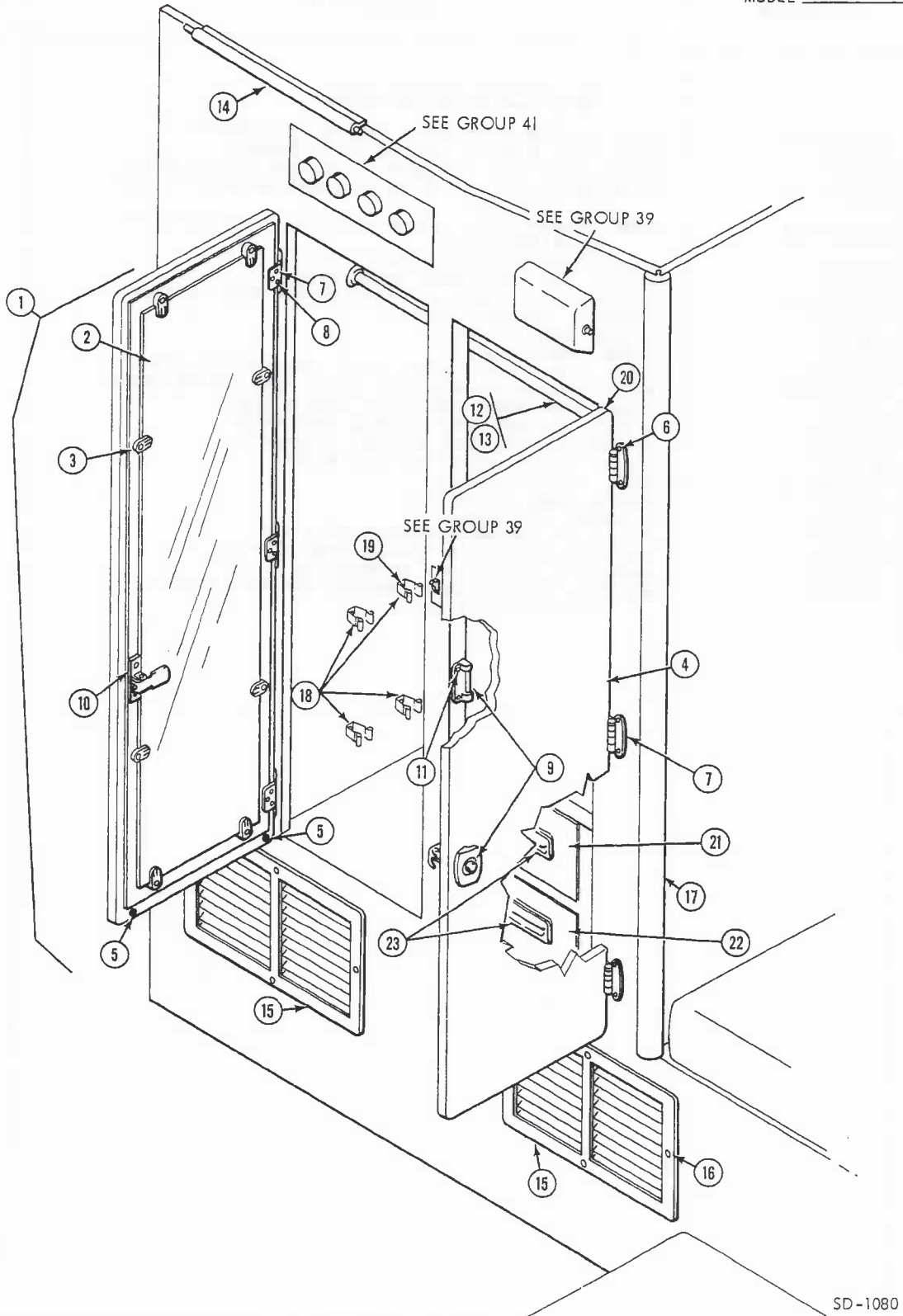


Figure 31-9. Clothes Closet

SD-1080

REPAIR PARTS LIST

GROUP 31
MODEL 2900R

FIG NO.	ITEM NO.	PART NUMBER	ITEM DESCRIPTION	QTY PER UNIT	
<u>CLOTHES CLOSET</u>					
31-9	1	5100600-R005	DOOR ASSY W/HARDWARE & MIRROR, Closet forward	1	
		5100600-R003	DOOR ASSY W/HARDWARE, Closet forward (w/o mirror)	1	
		5101084-01	LAMINATE, Door front (vertical grain)	5 sq ft	
		5101084-02	LAMINATE, Door front (horizontal grain)	5 sq ft	
		2	5101479	MIRROR, Closet door (supersedes plexiglass mirror)	1
			M14003	SCREW, Plexiglass mirror attaching (#4 x 5/8)	6
			M17099	ROSETTE, Plexiglass mirror	6
			M14079	SCREW, Glass mirror attaching (#6 x 1)	8
			M20057	CLIP, Glass mirror attaching	8
		4	5100600-R004	DOOR ASSY W/HARDWARE, Closet aft	1
			5101084-01	LAMINATE, Door front (vertical grain)	5 sq ft
			5101084-02	LAMINATE, Door aft (horizontal grain)	5 sq ft
		5	M22107	PAD, Closet door felt	8
	31-9	6	M14024	SCREW, Door hinge to frame (#6 x 1/2)	12
		7	5101277	HINGE, Closet door (coach 00001 to 00379)	6
		7	M23001	HINGE, Closet door (coach 00380 and up)	6
		8	M14024	SCREW, Closet door hinge (#6 x 1/2)	18
		9	5100106	LATCH, Closet door (includes striker)	2
		10	M14249	SCREW, Latch attaching (#6-32 x 1-1/4)	4
		11	M14025	SCREW, Latch striker (#6 x 5/8)	4
	31-9	12	5100603	ROD, Clothes closet	1
		13	M14052	SCREW, Closet rod (#10 x 3/4)	4
		14	5101080-02	GIMP, Closet to ceiling	12 ft
		M25088	STAPLE, Gimp to ceiling	50	
	15	5101246	REGISTER, Domestic air conditioner intake	2	
	16	M14024	SCREW, Intake register attaching (#6 x 1/2)	4	
	17	5100882	MOULDING, Closet corner	7 ft	
31-9	18	5101862	CLIP, Table leg stowage ("J" model only)	4	
	19	M25056	RIVET, Table clip	4	
	20	5100825-01	TRIM, Closet door (5/8)	13 ft	
	21	NPN	DRAWER ASSY, Closet upper (00646 & up)	1	
	22	NPN	DRAWER ASSY, Closet lower (00646 & up)	1	
	23	5106948-01	PULL, Drawer (brown) (coach 00646 & up)	2	
		5106948-02	PULL, Drawer (white) (coach 00646 & up)	2	
		5106948-03	PULL, Drawer (black) (coach 00646 & up)	2	
		M19083	ADHESIVE, Drawer pull	1 oz	
		5101084-01	LAMINATE, Drawer (vertical grain)	1 sq ft	
		5101084-02	LAMINATE, Drawer (horizontal grain)	1 sq ft	
<p>NOTE: For carpeting used inside closet and on domestic air conditioning vents (see Group 33).</p> <p>NOTE: All cabinet drawers and doors are subject to dimensional variations during production to obtain proper fit. Please supply length, width, thickness, height and depth as applicable when ordering a door or drawer assembly. Also indicate type of laminate desired, whether horizontal or vertical grain, or specify color if item is painted. FMC/RVD will supply item in the current production color or laminate that is closet to the one in your coach.</p>					

REPAIR PARTS LIST

31 Interior Doors
 GROUP and Cabinetry
 MODEL 2900R

SD-502

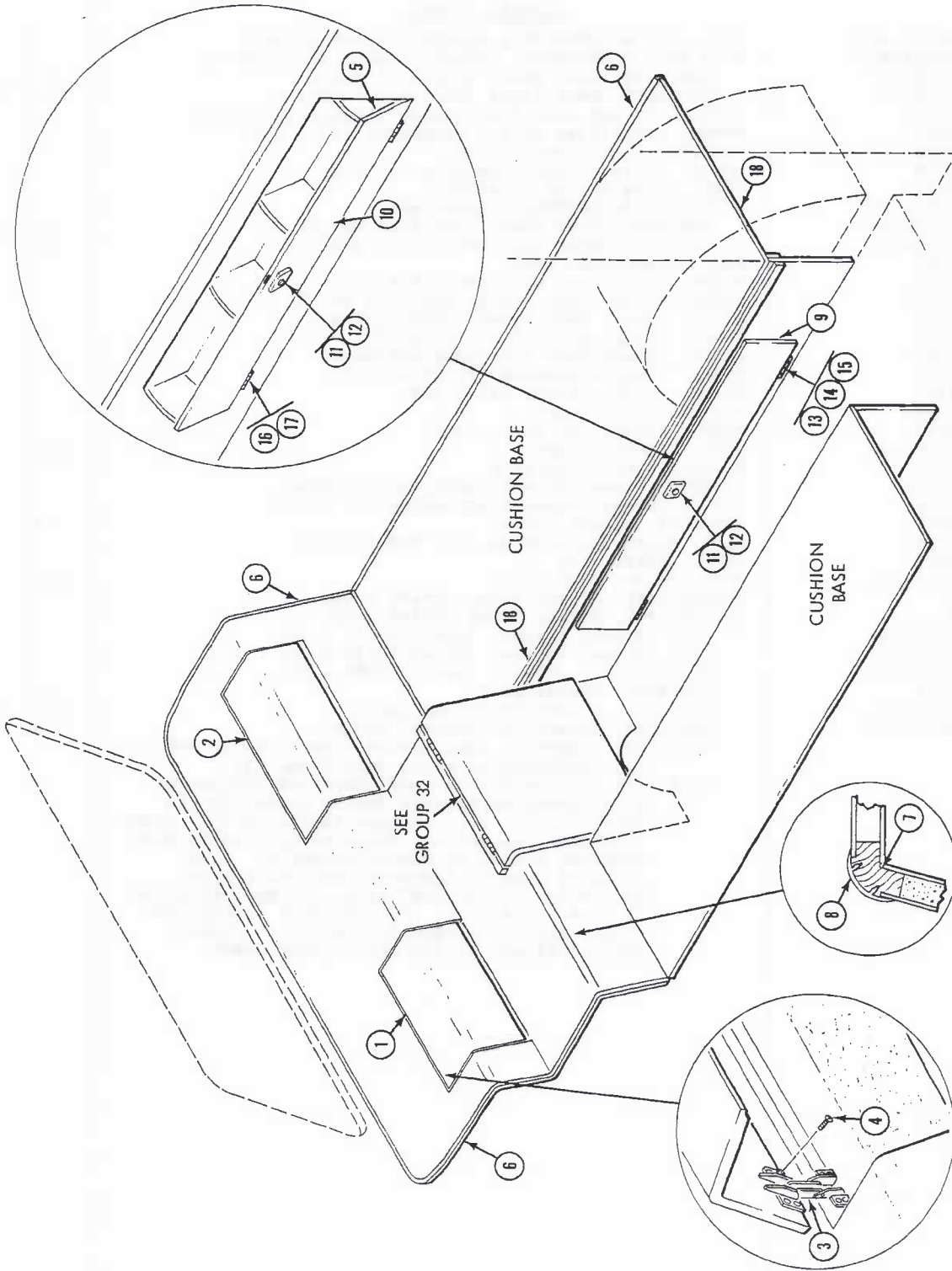


Figure 31-10. Bedroom Cabinets, Lower

REPAIR PARTS LIST

GROUP 31
MODEL 2900R

FIG NO.	ITEM NO.	RVD PART NUMBER	ITEM DESCRIPTION	QTY PER UNIT
			Items 1-4 used only on coaches 00001 to 00599	
			<u>BEDROOM CABINETS - LOWER</u>	
31-10	1	5100853-R001	DOOR, Bedroom lower (.7 x 22-7/8) (right side of coach)	1
	2	5100853-R002	DOOR, Bedroom lower (7 x 29-3/8) (left side of coach)	1
		5101084-01	LAMINATE, Door front (vertical grain)	3 sq ft
		5101084-02	LAMINATE, Door front (horizontal grain)	3 sq ft
	3	5100291	HINGE, Door	4
	4	M14024	SCREW, Door hinge (#6 x 1/2)	32
	5	M20068	MOULDING, Door edge perimeter	20 ft
31-10	6	5101080-02	GIMP, Panel to wall	40 ft
		M25088	STAPLE, Gimp to wall	100
	7	5101259	MOULDING, Lower bedroom panel	10 ft
	8	5101428	MOULDING, Lower bedroom panel	10 ft
	9	5100828-R001	DOOR, Bedroom storage (left side of coach) (coach 00001 to 00175)	1
	10	5100828-R002	BIN, Bedroom storage (left side of coach) (coach 00176 and up)	1
	11	5101489-01	LATCH ASSY, Bedroom storage door or bin	1
31-10	12	5101489-02	STRIKER, Bedroom door latch	1
	13	M14042	SCREW, Door latch (#8 x 1/2)	2
	14	5100291	HINGE, Storage door (Coach 00001 to 00175)	2
	15	M14024	SCREW, Door hinge (#6 x 1/2) (coach 00001 to 00175)	16
	16	M23009	HINGE, Storage bin (coach 00176 and up)	2
	17	M14013	SCREW, Storage bin hinge (coach 00176 and up)	6
	18	5100826-01	MOULDING, Bedroom cabinet	8 ft
			NOTE: All cabinet drawers and doors are subject to dimensional variations during production to obtain proper fit. Please supply length, width, thickness, height, and depth as applicable when ordering a door or drawer assembly. Also indicate type of laminate desired, whether horizontal or vertical grain, or specify color if item is painted. FMC/RVD will supply item in the current production color or laminate that is closest to the one in your coach.	

REPAIR PARTS LIST

31 Interior Doors
and Cabinetry
GROUP 2900 R
MODEL

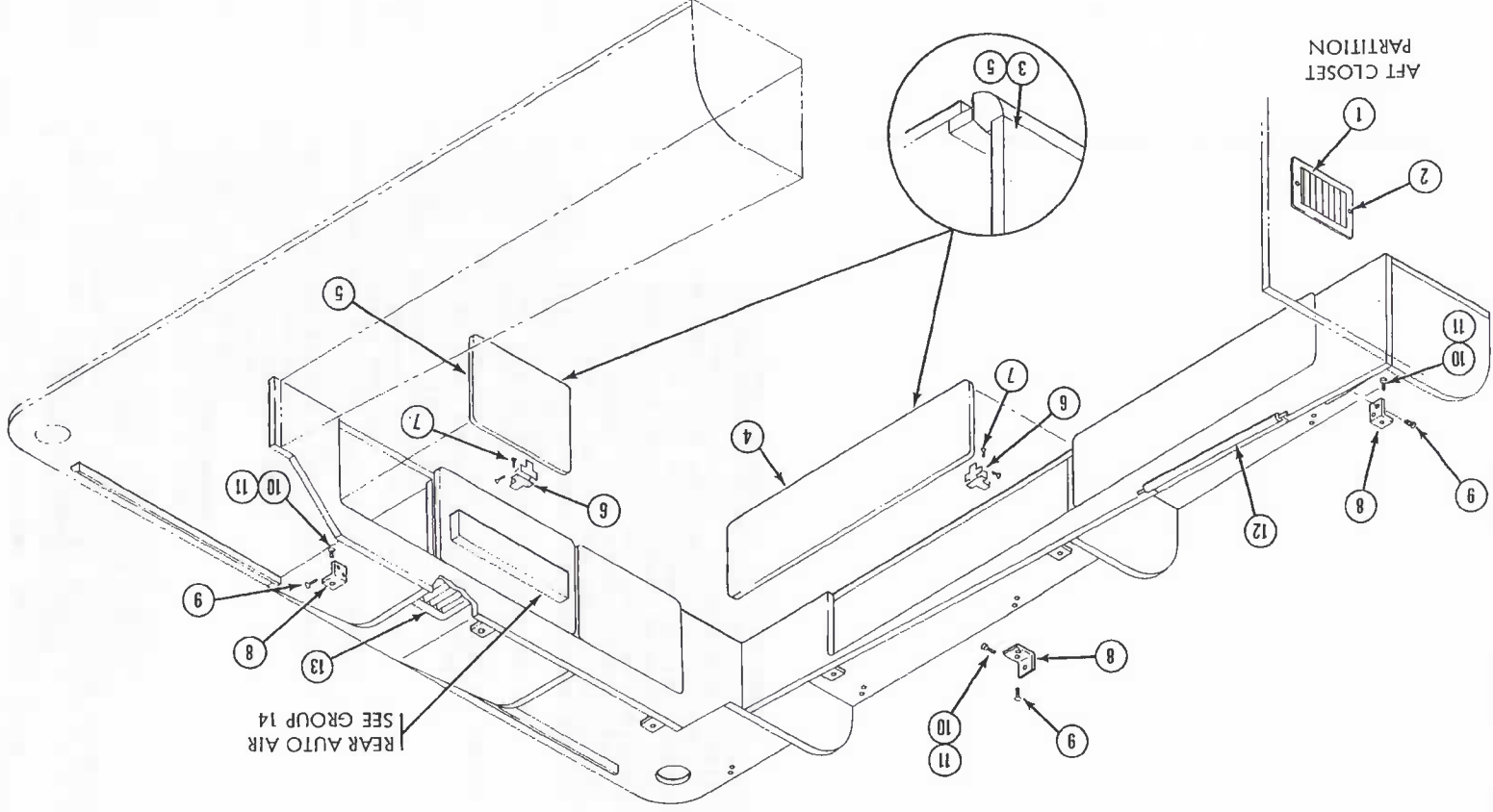


Figure 31-11. Bedroom Cabinets (coach 00001 to 00350)

SD-262

REPAIR PARTS LIST

GROUP 31
MODEL 2900R

FIG NO.	ITEM NO.	RVD PART NUMBER	ITEM DESCRIPTION	QTY PER UNIT	
<u>BEDROOM CABINETS - UPPER</u> <u>(COACH 00001 to 00350)</u>					
31-11	1	5101245	REGISTER, Domestic air outlet	1	
	2	M14024	SCREW, Outlet register (#6 x 1/2)	2	
	3	5101151-R001	DOOR, Cabinet (right side of coach) (coach 00001 to 00006)	2	
	4	5101151-R002	DOOR, Cabinet (left side of coach) (coach 00001 to 00006)	2	
		5101151-R004	DOOR, Cabinet (right side of coach) (coach 00007 to 00350)	2	
		5101151-R005	DOOR, Cabinet (left side of coach) (coach 00007 to 00350)	2	
	5	5101151-R003	DOOR, Center cabinet (coach 00001 to 00006)	2	
		5101151-R006	DOOR, Center cabinet (coach 00007 to 00350)	2	
		5101084-01	LAMINATE, Door front (vertical grain)	2 sq ft	
		5101084-02	LAMINATE, Door front (horizontal grain)	2 sq ft	
	31-11	6	5100291	HINGE, Door	12
		7	M14024	SCREW, Door hinge (#6 x 1/2)	96
8		5101151-21	BRACKET, Cabinet mounting	23	
10	9	M14053	SCREW, Bracket to wall (#10 x 3/4)	23	
	10	M14017	SCREW, Bracket to cabinet (#10 x 1/2)	34	
	11	M14052	SCREW, Bracket to cabinet (#10 x 3/4)	22	
31-11	12	5101080-02	GIMP, Cabinet to ceiling	46 ft	
		M25088	STAPLE, Gimp to ceiling	100	
		5100709	GRILLE, Auto air evaporator	1	
<p>NOTE: For carpeting inside cabinets see Group 33.</p> <p>NOTE: All cabinet drawers and doors are subject to dimensional variations during production to obtain proper fit. Please supply length, width, thickness, height, and depth as applicable when ordering a door or drawer assembly. Also indicate type of laminate desired, whether horizontal or vertical grain, or specify color if item is painted. FMC/RVD will supply item in the current production color or laminate that is closest to the one in your coach.</p>					

REPAIR PARTS LIST

31 Interior Doors
 and Cabinetry
 GROUP _____
 MODEL 2900R

SD-1081

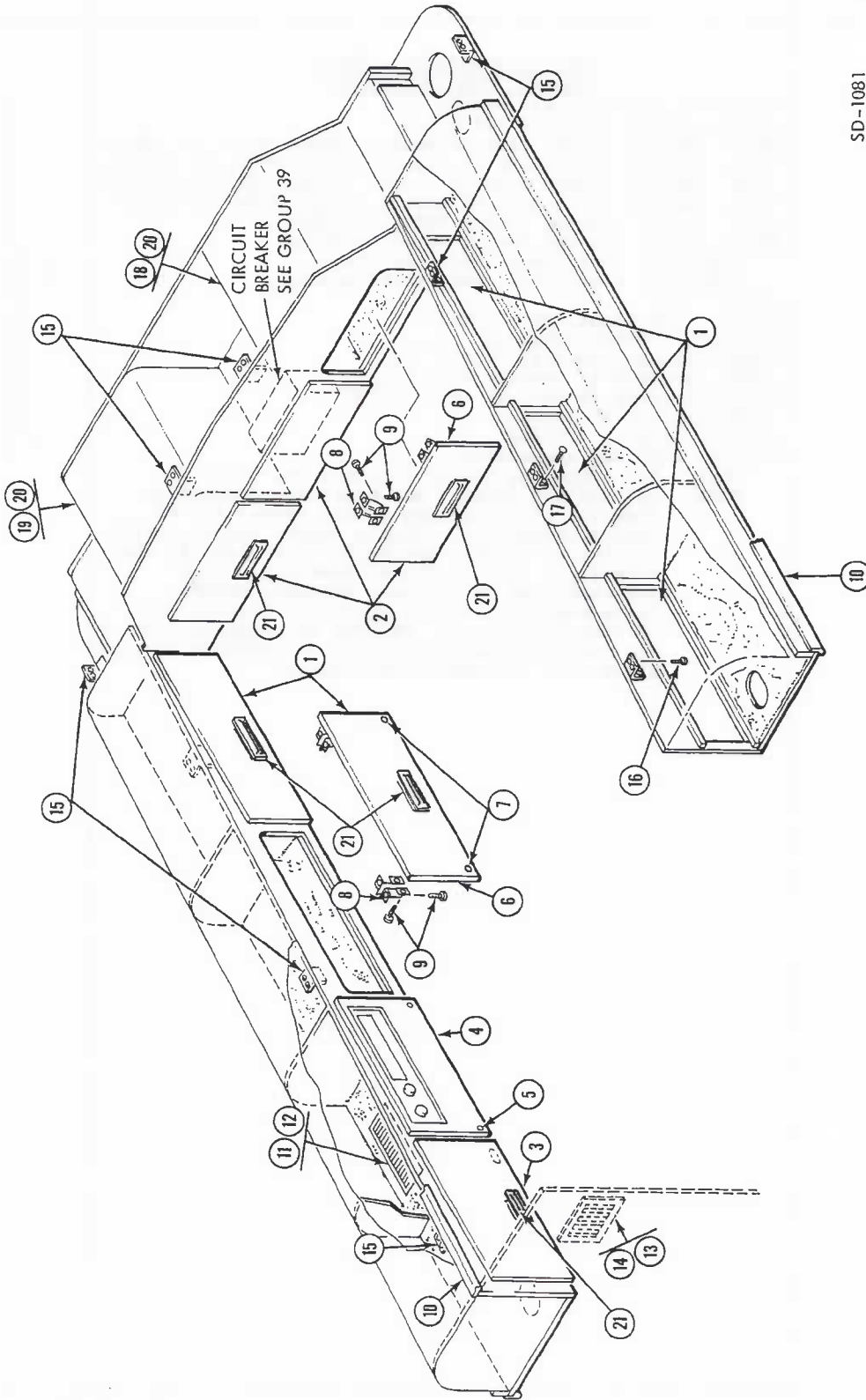


Figure 31-12. Bedroom Cabinets, Upper (coach 00351 and up)

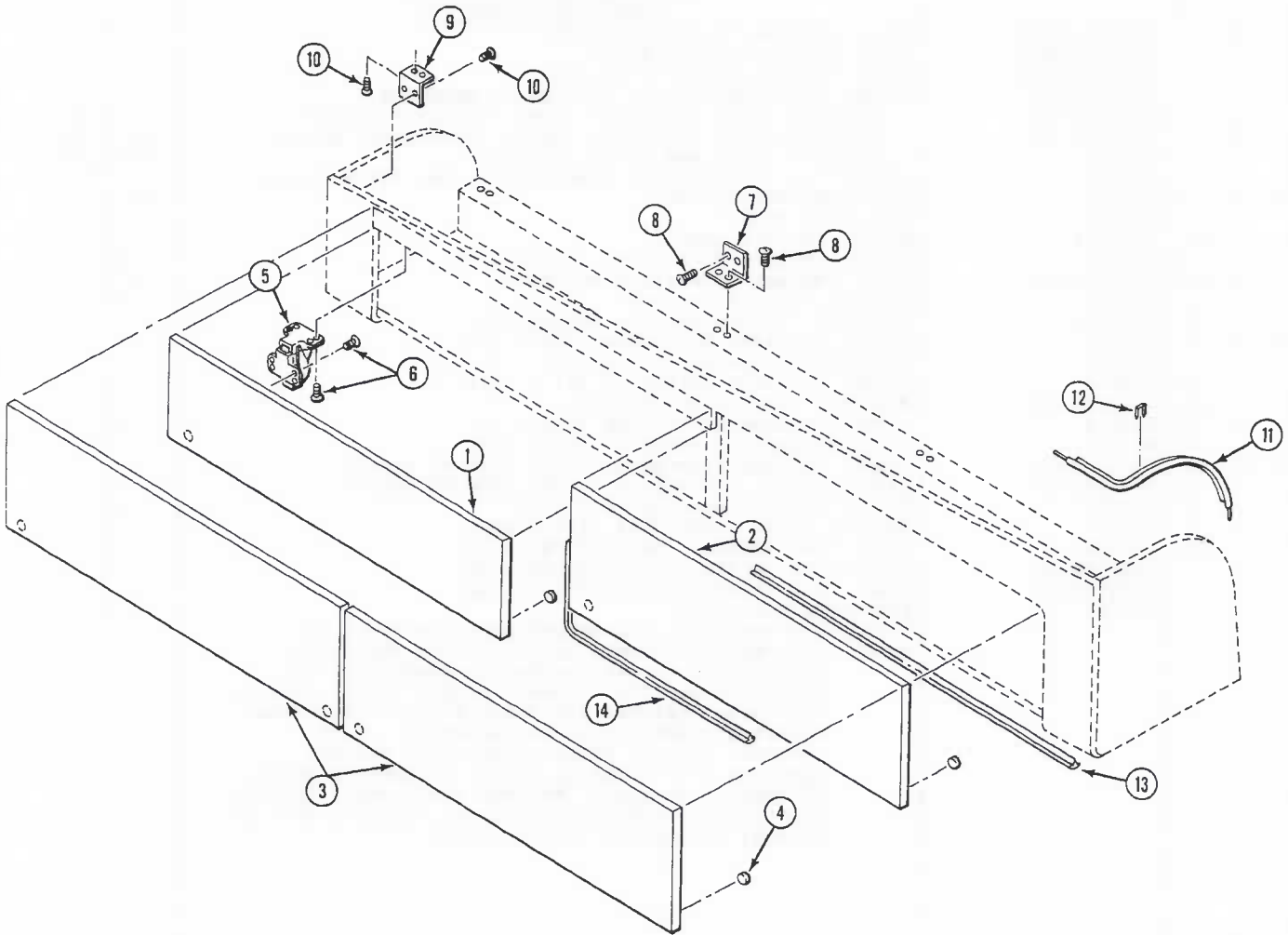
REPAIR PARTS LIST

GROUP 31
MODEL 2900R

FIG NO.	ITEM NO.	PART NUMBER	ITEM DESCRIPTION	QTY PER UNIT
			<u>BEDROOM CABINET - UPPER</u> <u>(COACH 00351 AND UP)</u>	
31-12	1	5101891-R001	DOOR, Cabinet (7-1/2 x 22-5/8)	5
	2	5101891-R002	DOOR, Cabinet (7-1/2 x 16)	3
	3	5101891-R003	DOOR, Cabinet (9-1/2 x 19-1/4)	1
	4	5101891-34	COVER, Air conditioning evaporator mounting	1
		5101084-02	LAMINATE, Door and cover front (vertical grain)	30 sq ft
		5101084-02	LAMINATE, Door and cover front (horizontal grain)	30 sq ft
		M12054	LAMINATE, Door and cover (white)	80 sq ft
	5	M14064	SCREW, Air conditioning evaporator cover (#6 x 1-1/4)	4
31-12	6	M20068	MOULDING, Cabinet door	26 ft
	7	M22107	PAD, Door cork	18
	8	5100291	HINGE, Cabinet door	18
	9	M14017	SCREW, Cabinet door hinge (#10 x 1/2)	144
	10	5101080-02	GIMP, Cabinet to ceiling and wall	56 ft
		M25088	STAPLE, Gimp to ceiling	100
	11	5100709	REGISTER, Automotive air evaporator	1
31-12	12	M14041	SCREW, Register to cabiner (#6 x 1/2)	2
	13	5101245	REGISTER, Domestic air outlet	1
	14	M14041	SCREW, Register attaching (#6 x 1/2)	2
	15	5101151-21	BRACKET, Cabinet to ceiling	10
	16	M14038	SCREW, Bracket to ceiling (#10 x 1)	20
	17	M14052	SCREW, Bracket to ceiling (#10 x 3/4)	20
31-12	18	5101578-02	LINER, Cabinet fiberglass (left side of coach)	1
	19	5101578-01	LINER, Cabinet fiberglass (right side of coach)	1
	20	M14088	SCREW, Liner attaching (#10 x 2)	25
	20	M17084	WASHER, Liner screw (#10 finishing)	25
	21	5106948-01	PULL, Door (brown) (coach 00646 & up)	9
		5106948-02	PULL, Door (white) (coach 00646 & up)	9
		5106948-03	PULL, Door (black) (coach 00646 & up)	9
		M19083	ADHESIVE, Door pull	1 oz
			NOTE: For carpeting inside cabinets see Group 33.	
			NOTE: All cabinet drawers and doors are subject to dimensional variations during production to obtain proper fit. Please supply length, width, thickness, height, and depth as applicable when ordering a door or drawer assembly. Also indicate type of laminate desired, whether horizontal or vertical grain, or specify color if item is painted. FMC/RVD will supply item in the current production color or laminate that is closest to the one in your coach.	

REPAIR PARTS LIST

31 Interior Doors
and Cabinetry
GROUP _____
MODEL 2900R _____



SD-504

Figure 31-13. Upper Dinette Cabinets (coach 00001 to 00349)

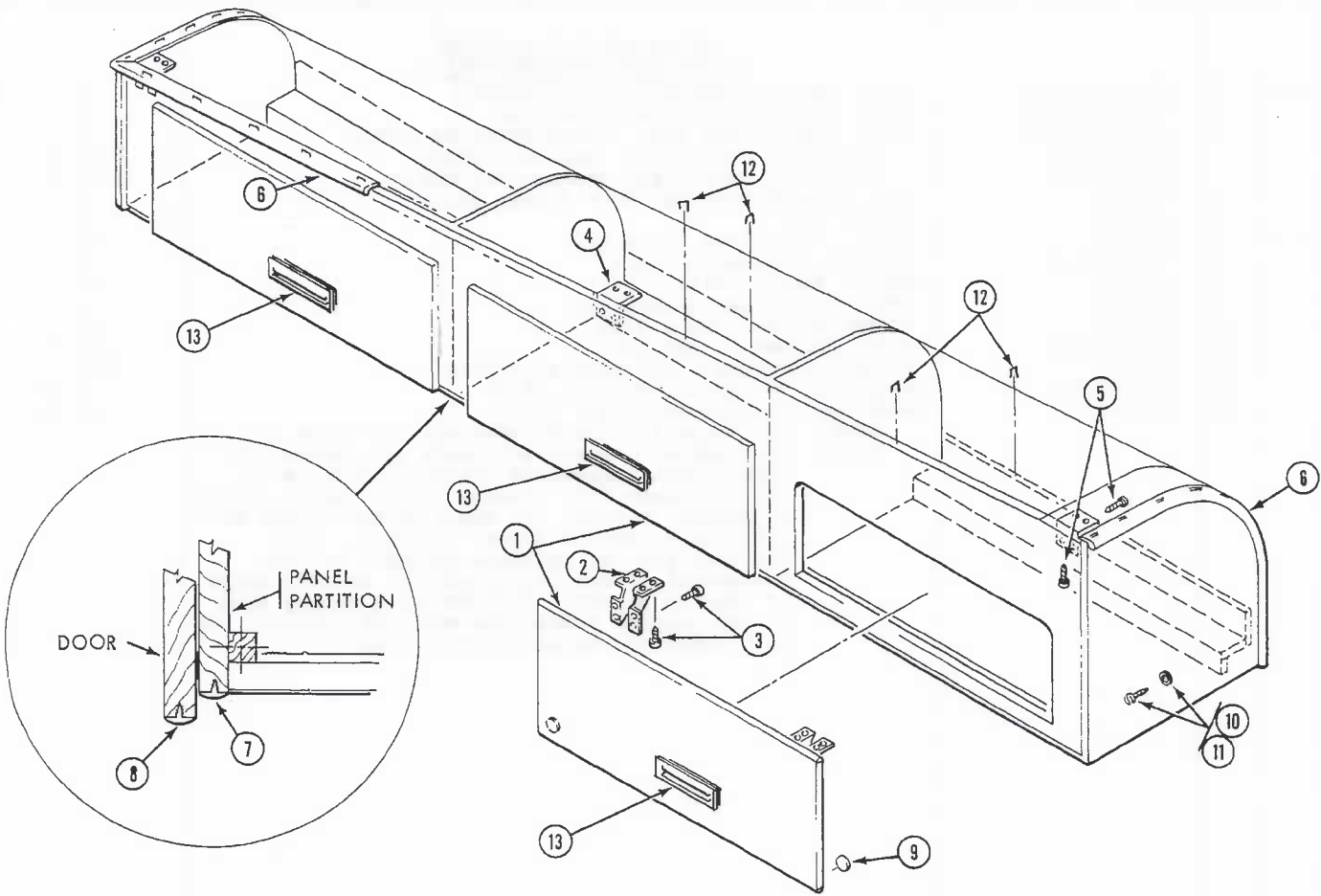
REPAIR PARTS LIST

GROUP 31
MODEL 2900R

FIG NO.	ITEM NO.	RVD PART NUMBER	ITEM DESCRIPTION	QTY PER UNIT	
			<u>UPPER DINETTE CABINETS</u> <u>(COACH 00001 THROUGH 00349)</u>		
31-13	1	5100852-R001	DOOR, Forward (coach 00001 to 00006)	1	
	2	5100852-R002	DOOR, Rear (coach 00001 to 00006)	1	
	3	5100852-R003	DOOR, Forward and rear (coach 00007 to 00349)	2	
		5101084-01	LAMINATE, Door front (vertical grain)	3 sq ft	
		5101084-02	LAMINATE, Door front (horizontal grain)	3 sq ft	
		M22107	PAD, Forward and rear door (inner edge)	4	
		5100291	HINGE, Door	4	
	31-13	6	M14024	SCREW, Door hinge (#6 x 1/2)	32
		7	5101151-21	BRACKET, Cabinet to wall	4
		8	M14052	SCREW, Bracket (#10 x 3/4)	16
		9	5101606	BRACKET, Cabinet to ceiling	3
		10	M14014	SCREW, Bracket (#8 x 5/8)	12
		11	5101080-02	GIMP, Cabinet to ceiling	15 ft
		12	M25088	STAPLE, Fiberboard and gimp attaching	100
13		5100825-01	MOULDING, Cabinet lower edge (5/8)	8 ft	
14	M20068	MOULDING, Cabinet door edge (9/16)	20 ft		
			NOTE: For carpeting inside cabinets see Group 33.		
			NOTE: All cabinet drawers and doors are subject to dimensional variations during production to obtain proper fit. Please supply length, width, thickness, height, and depth as applicable when ordering a door or drawer assembly. Also indicate type of laminate desired, whether horizontal or vertical grain, or specify color if item is painted. FMC/RVD will supply item in the current production color or laminate that is closest to the one in your coach.		

REPAIR PARTS LIST

31 Interior Doors
 and Cabinetry
 GROUP _____
 MODEL 2900R _____



SD-1082

Figure 31-14. Upper Dinette Cabinets (coach 00350 and up)

REPAIR PARTS LIST

GROUP 31
MODEL 2900R

FIG NO.	ITEM NO.	PART NUMBER	ITEM DESCRIPTION	QTY PER UNIT	
			<u>UPPER DINETTE CABINETS</u> <u>(COACH 00350 AND UP)</u>		
31-14	1	5100852-13	DOOR, Upper dinette cabinet (9 x 22-5/8)	3	
	2	5100291	HINGE, Upper dinette door spring	6	
		5101084-01	LAMINATE, Door front (vertical grain)	3 sq ft	
		5101084-02	LAMINATE, Door front (horizontal grain)	3 sq ft	
	3	M14025	SCREW, Cabinet door hinge (#6 x 5/8)	24	
	4	5101151-21	BRACKET, Cabinet to ceiling	3	
	5	M14053	SCREW, Cabinet bracket (#10 x 3/4)	12	
	31-14	6	5101080-02	GIMP, Cabinet to ceiling	10 ft
		7	5100825-01	MOULDING, Dinette cabinet	11 ft
		8	5100825-01	MOULDING, Dinette cabinet doors	18 ft
		9	M22107	PAD, Cabinet door cork	6
		10	M14022	SCREW, Fiberboard to base (#10 x 1-1/2)	8
		11	M17084	WASHER, Fiberboard screw (#10)	8
12		M25088	STAPLE, Fiberboard and gimp attaching	100	
13		5106948-01	PULL, Door (brown) (coach 00646 & up)	3	
	5106948-02	PULL, Door (white) (coach 00646 & up)	3		
	5106948-03	PULL, Door (black) (coach 00646 & up)	3		
	M19083	ADHESIVE, Door pull	1 oz		
		NOTE: For carpeting inside cabinets see Group 33. NOTE: All cabinet drawers and doors are subject to dimensional variations during production to obtain proper fit. Please supply length, width, thickness, height, and depth as applicable when ordering a door or drawer assembly. Also indicate type of laminate desired, whether horizontal or vertical grain, or specify color if item is painted. FMC/RVD will supply item in the current production color or laminate that is closest to the one in your coach.			