

## Group 34 Water System

**GENERAL:** This group contains information on the fresh water system. Coverage is from the fill spout and storage tanks, through the sinks, shower, and toilet, to the drain points.

**SPECIFICS:** As applicable

...Fill Spout

...Kitchen Sink Faucet

...Shower Head and Fixtures

...Storage Tanks

...Toilet and Fixtures

...Vanity Sink Faucet

...Water Accumulator

...Water Connections

...Water Heater

...Water Pipes, Hoses, Tees, and Fittings

...Water Pump

...Water Purifier

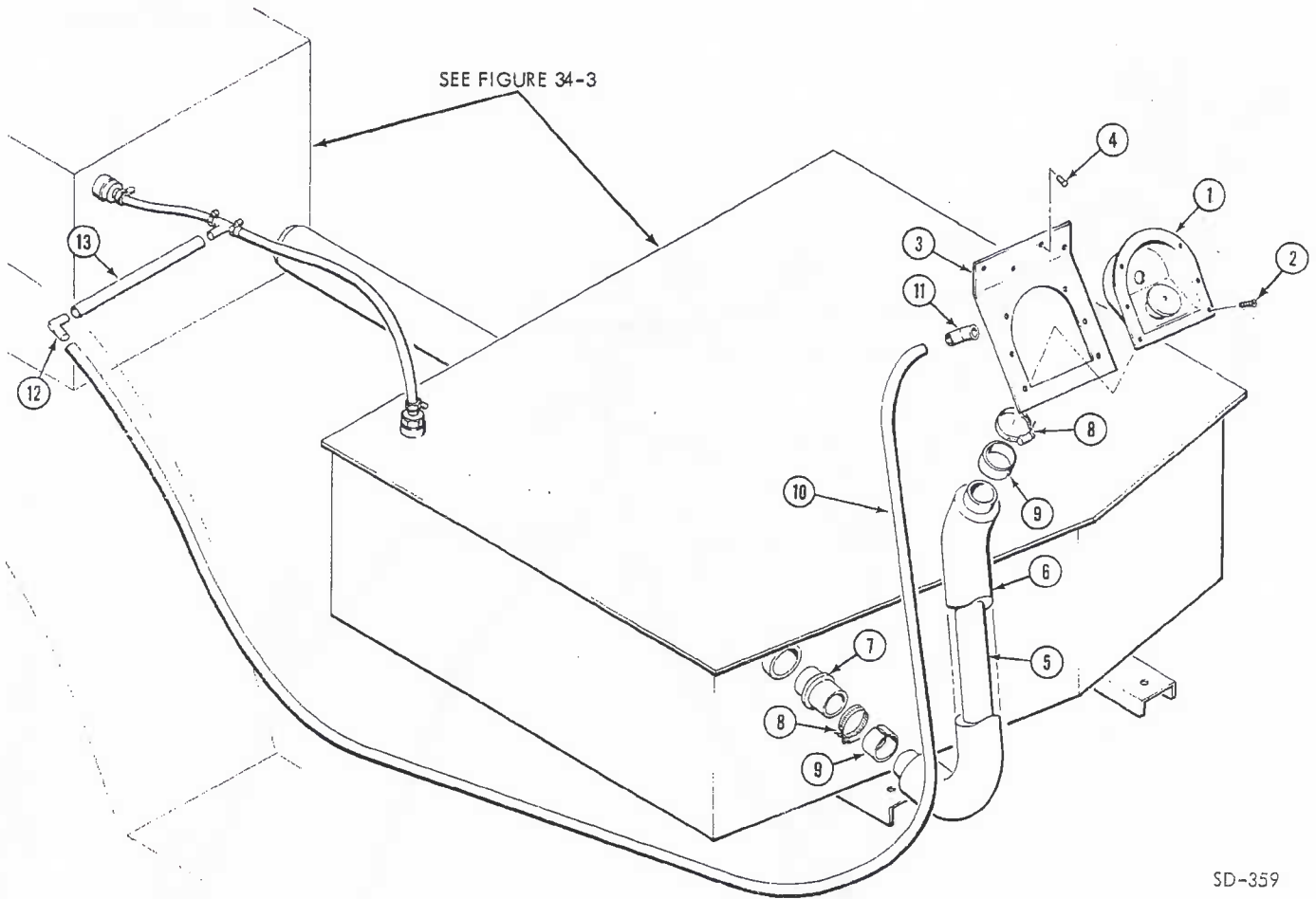


FMC Corporation  
Motor Coach Division  
333 Brokaw Road Box 664 Santa Clara California 95052

# REPAIR PARTS LIST

GROUP 34 Water System

MODEL 2900R



SD-359

Figure 34-1. Water filler and spout - coach 00001 to 00075, plan A.

FIG NO.	ITEM NO.	RVD PART NUMBER	ITEM DESCRIPTION	QTY PER UNIT
			<u>WATER FILLER AND SPOUT. USED WITH DOUBLE DOOR FRONT NOSE PANEL, RIGHT HAND FILLER; COACH 00001 to 00075 (FLOOR PLAN A).</u>	
34-1	1	5100412	SPOUT, Fresh water fill	1
	2	M14029	SCREW, Fill spout to bracket	6
	3	5101436	BRACKET, Water fill spout	1
	4	M25046	RIVET, Spout bracket to frame	4
	5	5101152-01	HOSE, Fill Spout to 38 gal. tank	3 ft
	6	M22083	INSULATION, Fill spout hose (sup 5101433-02)	3 ft
		M19029	TAPE, Insulation, 2 inches wide	10 ft
34-1	7	M24054	ADAPTER, Fill spout hose to tank (1-1/4 barbed)	1
	8	M22050	CLAMP, Fill spout hose (1-1/2)	2
	9	5101154	PAD, Fill spout hose clamp	2
	10	M20054	TUBE, Fill spout vent clear (1/2) (sup 5101201-02)	3 ft
	11	M24134	ELBOW, Fill spout vent tube (at fill spout)	1
	12	M24133	ELBOW, Fill spout vent tube (tee end)	1
	13	M20054	TUBE, Vent tube elbow to tee (1/2) (sup 5101201-04)	3 ft

# REPAIR PARTS LIST

GROUP 34 Water System  
 MODEL 2900R

SD-360  
 1

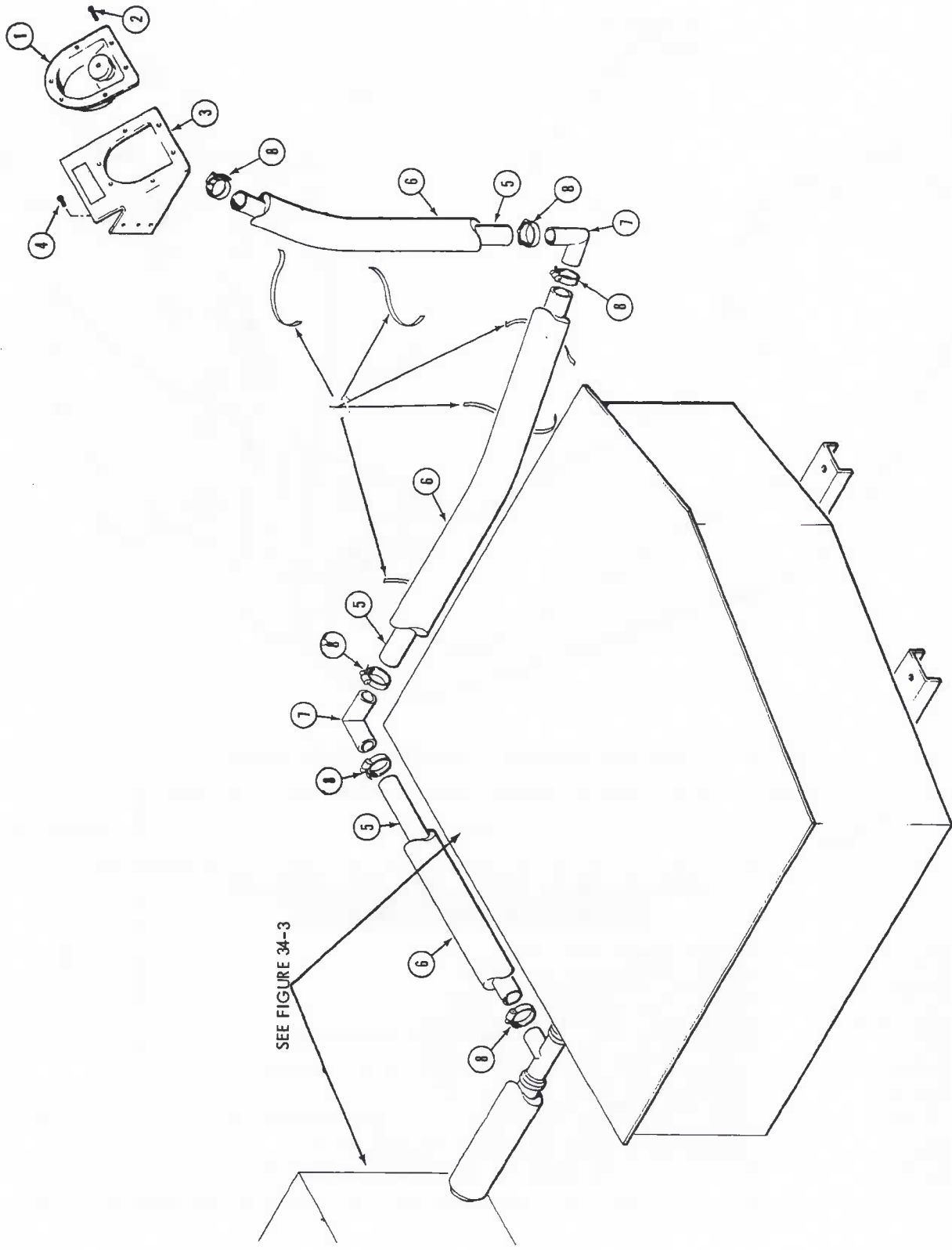


Figure 34-2. Water Filler and Spout (Coach 00076 to 00645, Plan "A");  
 (All "J" Coaches to 00645)

# REPAIR PARTS LIST

GROUP 34 Water System

MODEL 2900R

FIG NO.	ITEM NO.	PART NUMBER	ITEM DESCRIPTION	QTY PER UNIT
			<u>WATER FILLER AND SPOUT. USED WITH SINGLE DOOR FRONT NOSE PANEL - LEFT HAND FILLER, COACH 00076 TO 00645. FLOOR PLAN A AND J COACHES.</u>	
34-2	1	5100412	SPOUT, Fresh water fill	1
	2	M14044	SCREW, Spout to bracket	6
	3	5101677	BRACKET, Water fill spout	1
	4	M25046	RIVET, Bracket attaching	3
	5	M20055	TUBING, Spout to tank interconnect tee	9 ft
	6	M22083	INSULATION, Fill spout hose (sup 5101433-02)	9 ft
		M19029	TAPE, Insulation, 2 inches wide	10 ft
34-2	7	M24225	ELBOW, Spout tubing	2
	8	M22050	CLAMP, Spout tubing to elbow and tee (1-1/2)	6
	9	M15047	TY-RAP, Spout hose insulation	6



# REPAIR PARTS LIST

GROUP 34 Water System  
MODEL 2900R

FIG NO.	ITEM NO.	PART NUMBER	ITEM DESCRIPTION	QTY PER UNIT
			<u>WATER FILLER AND SPOUT COACHES 00646 AND UP "A" "J" "M"</u>	
34-2.1	1	5100412	SPOUT, Fresh water fill	1
	2	M14029	SCREW, Spout attaching	6
	3	M20055	TUBING, Water (clear 1" I.D.)	8 ft
	4	M22055	CLAMP, Water tubing	6
34-2.1	5	M24225	ELBOW, Water tubing (1" x 1" barbed)	2
	6	M24226	ADAPTER, Hose to tank (1" MPT - 1" barbed)	1
	7	M19008	TAPE, Hose to tank teflon	1 ft
34-2.1	8	M24686	BUSHING, Tank reducing (1½ MPT - 1" FPT)	1

# REPAIR PARTS LIST

GROUP 34 Water System  
 MODEL 2900R

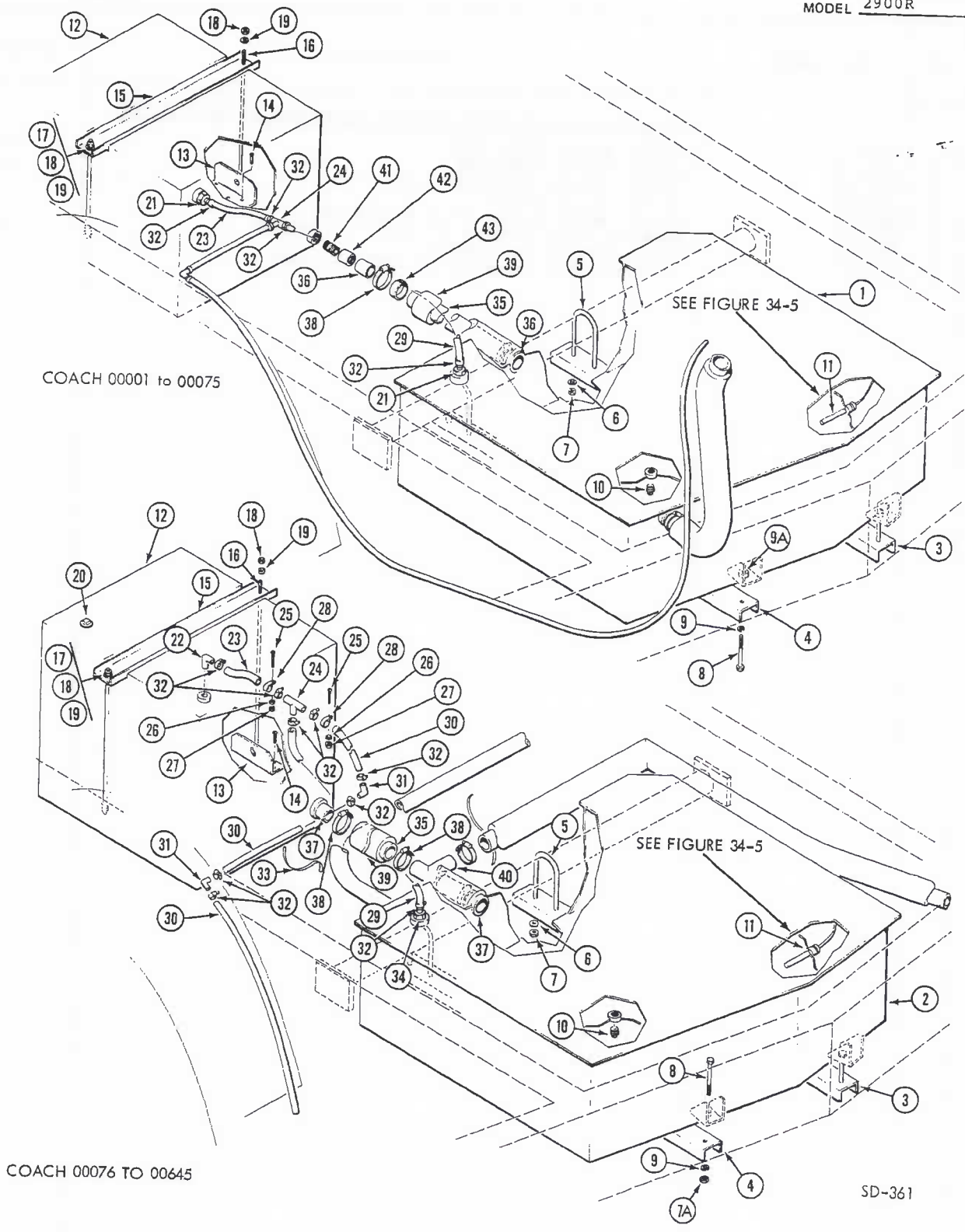


Figure 34-3. Water tanks and vent lines - all floor plan A coaches.

# REPAIR PARTS LIST

GROUP 34 Water System  
MODEL 2900R

FIG NO.	ITEM NO.	PART NUMBER	ITEM DESCRIPTION	QTY PER UNIT
<u>WATER TANKS AND VENT LINES</u>				
<u>FLOOR PLAN A COACHES</u>				
<u>(00001 to 00645)</u>				
34-3	1	5101116	TANK, Water storage (38 gallon) (Coach 00001 to 00075, used with right hand filler)	1
	2	5101699	TANK, Water storage (38 gallon) (Coach 00076 to 00645, used with left hand filler)	1
	3	5101148-01	NOTE: See Group 39 for electric wiring. SUPPORT, Storage tank to frame (left 38-5/8)	1
	4	5101148-02	SUPPORT, Storage tank to frame (right 37-1/4)	1
	5	5101432	"U" BOLT, Tank to frame (rear)	2
	6	M17005	WASHER, "U" Bolt (5/16 flat)	4
	7	M17053	NUT, "U" Bolt (5/16 - 18)	4
	7A	M17062	NUT, Support to frame capscrew, 3/8 - 16 (Coach 00076 and up)	2
	8	M18089	CAPSCREW, Support to frame (front) (3/8 - 16 x 4)	2
	9	M17007	WASHER, Support capscrew (3/8)	2
	9A	M25008	NUT, Water tank bracket, 3/8 - 16 (to Coach 00075)	2
34-3	10	M24289	PLUG, Water tank drain	1
	11	5101393	THERMOSTAT, Water tank (GV-VC9314-C8P)	1
	12	5101698	NOTE: See Figure 34-5 for thermostat relocation. TANK, Water storage (22 gallons; under dinette seat (sup 5101119-01)	1
	13	5101207	NOTE: One M24222 fitting required when replacing 5101119-01 tank with 5101698. BRACKET, Tank mounting (dinette seat inboard)	1
	14	M14027	SCREW, Bracket attaching (No. 8 x 3/4)	5
	15	5101188	BAR, Tank retaining	1
	16	5101208	"J" BOLT, Bracket to bar (dinette seat outboard)	1
	17	5101206	STUD, Tank support (dinette seat outboard)	1
	18	M17053	NUT, Tank support stud (5/16 - 18)	2
	19	M17005	WASHER, Tank support stud (5/16 flat)	2
34-3	20	M24122	PLUG, Tank fill (1-1/4 plastic)	1
	21	M24061	ADAPTER, Tee to small tank tube (1/2 x 1/2 used to coach 00075)	2
	22	M24222	ELBOW, Tee to small tank tube (coach 00076 and up)	1
	23	M20054	TUBE, Tee to small tank (1/2; sup 5101201-03)	1 ft
	24	M24123	TEE, Tank interconnect tubing (1/2 barbed)	1
	25	M14249	SCREW, Tee attaching at dinette (coach 00076 and up)	2
	26	M17081	WASHER, Tee attaching screw (coach 00076 and up)	4
	27	M17063	NUT, Tee attaching screw (coach 00076 and up)	2
	28	M22059	CLAMP, Tee attaching (coach 00076 and up)	2
	29	M20054	TUBE, Tee to large tank (1/2) (sup 5101201-01)	2 ft
34-3	30	M20054	TUBE, Tee to wheel vent (1/2) (coach 00076 and up)	4 ft
	31	M24133	ELBOW, Vent tube (coach 00076 and up)	2
	32	M22041	CLAMP, Tank interconnect tube	9
	33	M15046	TY-RAP, Tank interconnect tube to dinette (coach 00076 and up)	6
	34	M24061	ADAPTER, Vent tube at large tank (1/2 x 1/2) (coach 00076 and up)	1
	35	M20055	HOSE, Water tank interconnecting	2 ft
	36	M24054	ADAPTER, Tank interconnecting hose (1-1/4) (to coach 00075)	2
	37	M24336	ADAPTER, Tank interconnecting hose (coach 00076 and up)	2
	38	M24009	CLAMP, Tank interconnecting hose	2
34-3	39	M22083	INSULATION, Tank interconnecting hose (sup 5101433-01)	2 ft
	40	M10929	TAPE, Insulation, 2 inches wide	8 ft
	40	M24294	TEE, Filler and tank interconnecting hose (coach 00076 and up)	1
	41	M24140	NIPPLE, Water tank to coupling (coach 00001 to 00075)	1
	42	M24141	COUPLING, Nipple to adapter (coach 00001 to 00075)	1
	43	5101154	PAD, Hose (coach 00001 to 00075)	2

# REPAIR PARTS LIST

GROUP 34 Water System  
 MODEL 2900R

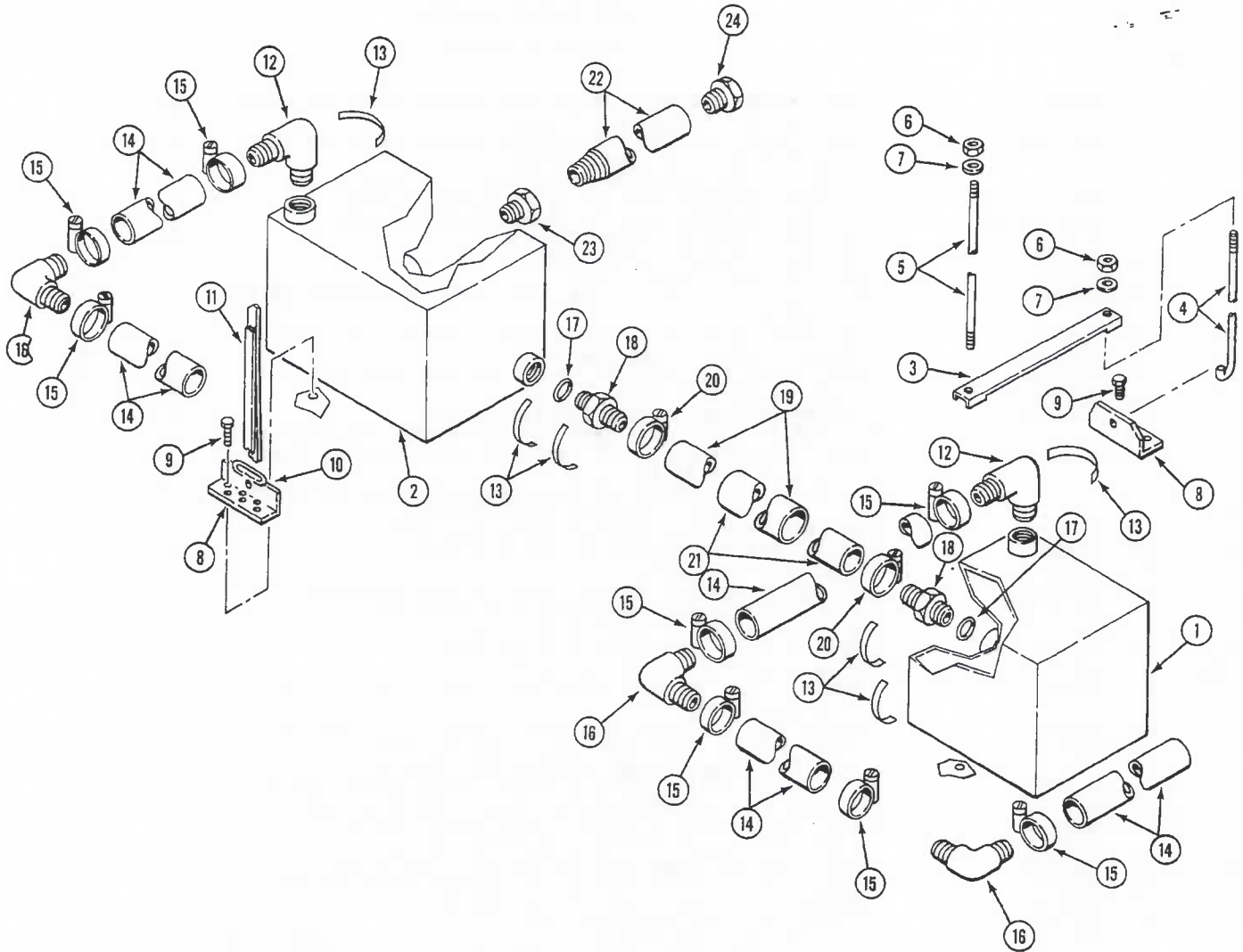


Figure 34-3.1. Water Tanks and Vent Lines - Floor Plan "A"  
 (Coach 00646 & Up)

# REPAIR PARTS LIST

GROUP 34  
MODEL \_\_\_\_\_

FIG NO.	ITEM NO.	PART NUMBER	ITEM DESCRIPTION	QTY PER UNIT
<u>WATER TANKS AND VENT LINES. FLOOR PLAN "A" COACHES</u> <u>(00646 AND UP)</u>				
34-3.1	1	5108832	TANK, Water (22 gallon)	1
	2	5107059	TANK, Water (29 gallon)	1
	3	5101188	BAR, Front tank	1
	4	5101208	"J" BOLT, Bracket to bar (out board)	1
34-3.1	5	5101206	STUD, Tank support (outboard)	1
	6	M17053	NUT, Tank support (5/16-18)	2
	7	M17005	WASHER, Tank support (5/16 flat)	2
	8	5101207	BRACKET, Tank mounting (inboard)	1
	9	M14027	SCREW, Bracket attaching (#8. x 3/4)	5
34-3.1	10	M23008	LINK, Rear tank strap	4
	11	M22138	STRAP, Tank hold down	14 ft
	12	M24222	ELBOW, Vent line (½ MPT-½ barb)	2
	13	M19008	TAPE, Elbow to tank teflon	1 ft
	14	M20054	TUBE, Tank vent lines (½" I.D. clear)	11 ft
34-3.1	15	M22054	CLAMP, Vent line tubing	8
	16	M24133	ELBOW, Vent line tubing (½" x ½" barbed)	3
	17	M24686	BUSHING, Tank to adapter (1½" MPT -1" FPT)	2
	18	M24226	ADAPTER, Bushing to hose (1" MPT - 1" barbed)	2
	19	M20055	HOSE, Tank to tank (1" I.D.)	3 ft
	20	M22055	CLAMP, Hose at tank	2
34-3.1	21	M22083	INSULATION, Tank to tank hose (1 5/8 I.D.)	3 ft
34-3.1	22	5107042	TUBE, Rear tank drain (½ MPT)	1
	23	M24496	ADAPTER, Rear tank drain (½ FPT)	1
		M19051	CEMENT, Adapter to tank	1 oz
34-3.1	24	M24289	PLUG, Rear task drain (½ MPT)	1

# REPAIR PARTS LIST

GROUP 34 Water System

MODEL 2900R

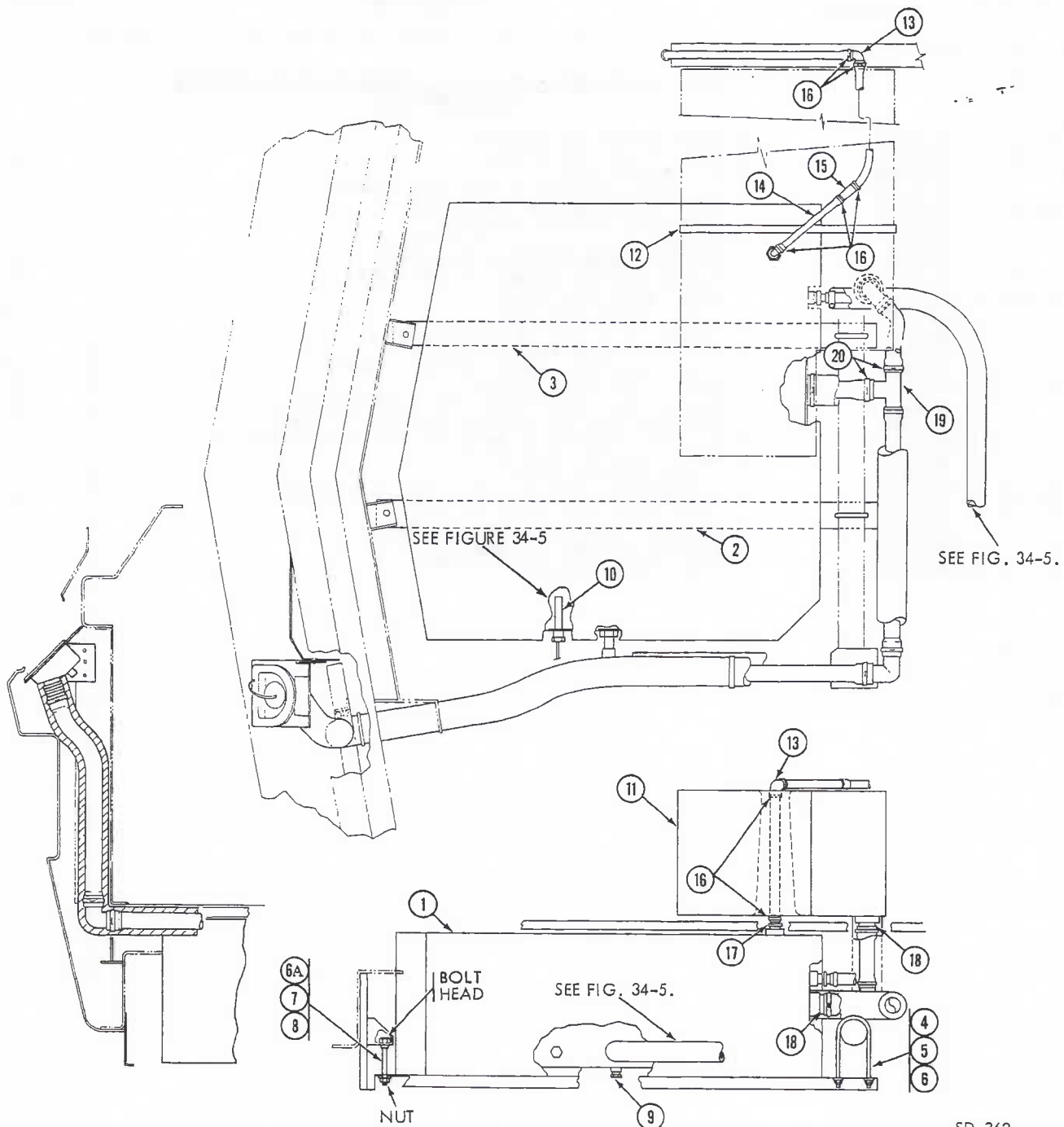


Figure 34-4. Water Tanks and Vent Lines - (All "J" Coaches to 00645)

SD-362

# REPAIR PARTS LIST

GROUP 34 Water System

MODEL 2900R

FIG NO.	ITEM NO.	PART NUMBER	ITEM DESCRIPTION	QTY PER UNIT
			<u>WATER TANK AND VENT LINES; ALL FLOOR PLAN "J" TO 00645</u>	
34-4	1	5101699	TANK, Water storage (38 gallons)	1
	2	5101148-01	SUPPORT, Storage tank to frame (left 38-5/8)	1
	3	5101148-02	SUPPORT, Storage tank to frame (right 37-1/4)	1
	4	5101432	"U" BOLT, Tank to frame (rear)	2
	5	M17005	WASHER, "U" Bolt (5/16 flat)	4
	6	M17053	NUT, "U" Bolt (5/16 - 18)	4
	6A	M17062	NUT, Support to frame capscrew (3/8 - 16)	2
	7	M18089	CAPSCREW, Support to frame (front) (3/8 - 16 x 4)	2
	8	M17007	WASHER, Support capscrew (3/8)	2
34-4	9	M24289	PLUG, Tank drain	1
	10	5101393	THERMOSTAT, Water tank (GV-VC9314-C8P) See Figure 34-5 for thermostat relocation	1
	11	5101449	TANK, Water (22 gallons; over wheel well)	1
	12	M22138	STRAP, Tank hold down	14 ft
		M23008	LINK, Hold down strap	4
		5101207	BRACKET, Hold down	4
	13	M24133	ELBOW, Tank vent line (at tank and at wheel well)	2
	14	M20054	TUBING, Tank vent	7 ft
	15	M24197	TEE, Tank vent tubing	1
	16	M22041	CLAMP, Tank vent tubing	7
	17	M24061	ADAPTER, Tank vent tubing	1
	18	M24336	ADAPTER, Tank interconnect tube	2
34-4	19	M24294	TEE, Tank interconnect tube	1
	20	M22050	CLAMP, Tank interconnect tube	5

# REPAIR PARTS LIST

GROUP 34 Water System  
 MODEL 2900R

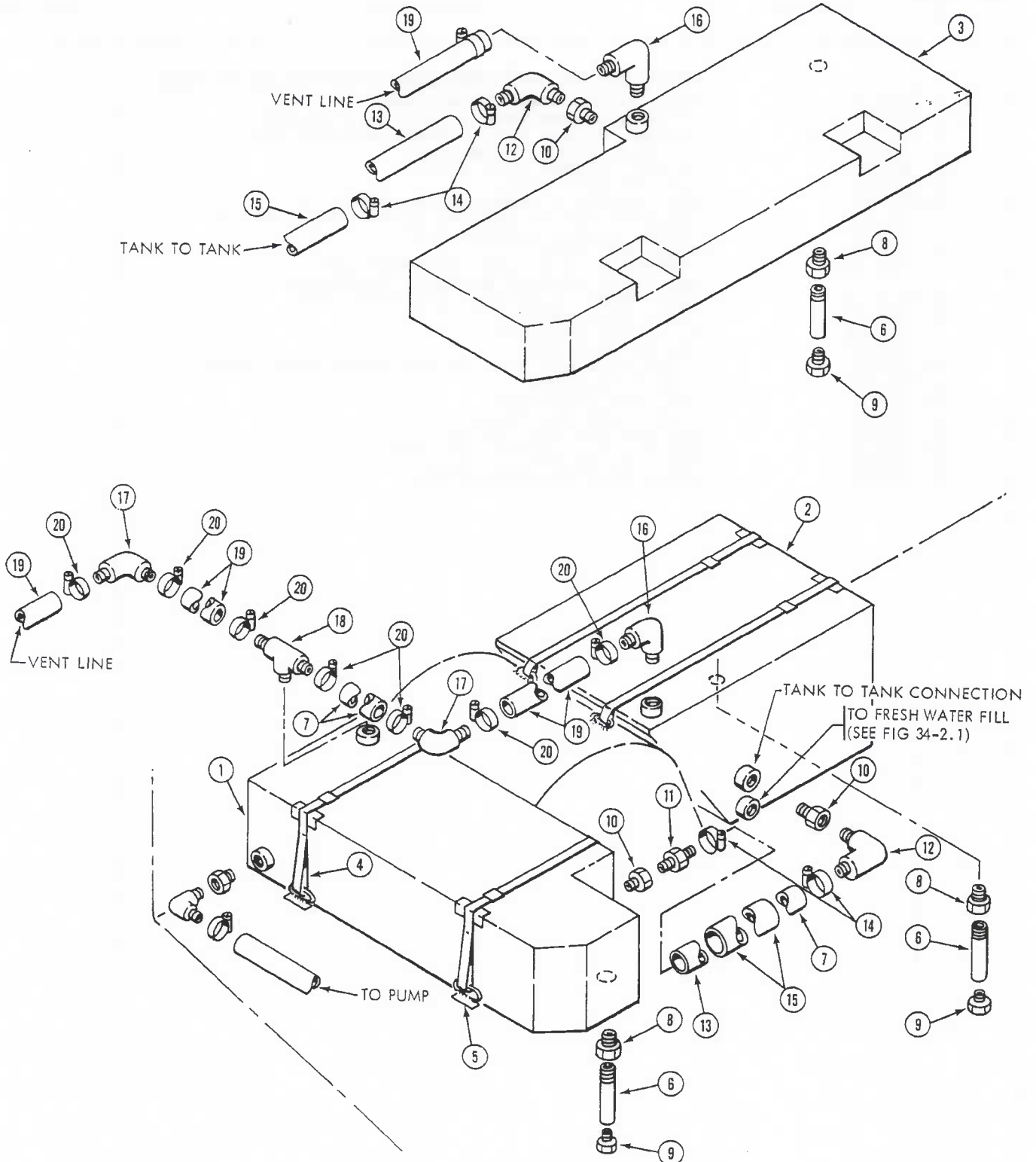


Figure 34-4.1. Water Tank and Vent Lines - Floor Plans "J" & "M"  
 (Coach 00646 & Up)

# REPAIR PARTS LIST

GROUP 34  
MODEL \_\_\_\_\_

FIG NO.	ITEM NO.	PART NUMBER	ITEM DESCRIPTION	QTY PER UNIT	
<u>WATER TANKS AND VENT LINES FLOOR PLANS "J" AND "M"</u> <u>COACH 00646 AND UP</u>					
34-4.1	1	5108827	TANK, Water (22 gallon)	1	
		M22051	INSULATION, Underseat tank	6 sq ft	
	2	5106991	TANK, Water (35½ gallon)	1	
	3	5108754	TANK, Water (30 gallon) (optional W/5106991)	1	
			NOTE: Above tank designed to allow more storage space in right forward compartment		
	4	M22138	STRAP, Tank hold down	28 ft	
		5101207	BRACKET, Tank hold down	8	
	34-4.1	5	M23008	LINK, Tank hold down strap	2
		6	5107042	TUBE, Tank drain (½" MPT)	2
		7	M19008	TAPE, Tank connections teflon	2 ft
		8	M24496	ADAPTER, Tank drain tube	2
		9	M24289	PLUG, Tank drain (½" MPT)	2
	34-4.1	10	M24686	BUSHING, Tank reducer (1¼" MPT- 1" FPT)	2
		11	M24226	ADAPTER, Front tank hose (1" MPT-1" barbed)	1
		12	M24685	ELBOW, Rear tank hose (1" MPT-1" barbed)	1
		13	M20055	HOSE, Tank to tank (1" I.D.)	4 ft
	34-4.1	14	M22055	CLAMP, Hose at tank	2
	34-4.1	15	M22083	INSULATION, Tank to tank hose (1 5/8 I.D.)	3 ft
		16	M24222	ELBOW, Vent line (½" MPT-½" barb)	1
		17	M24133	ELBOW, Vent line (½" barb-½" barb)	2
	18	M24197	TEE, Vent line- at front tank (½ barb-½ barb-3/8 MPT)	1	
	19	M20054	TUBE, Tank vent (½" I.D. clear)	8 ft	
34-4.1	20	M22054	CLAMP, Vent tube	8	

# REPAIR PARTS LIST

GROUP 34 Water System  
 MODEL 2900R

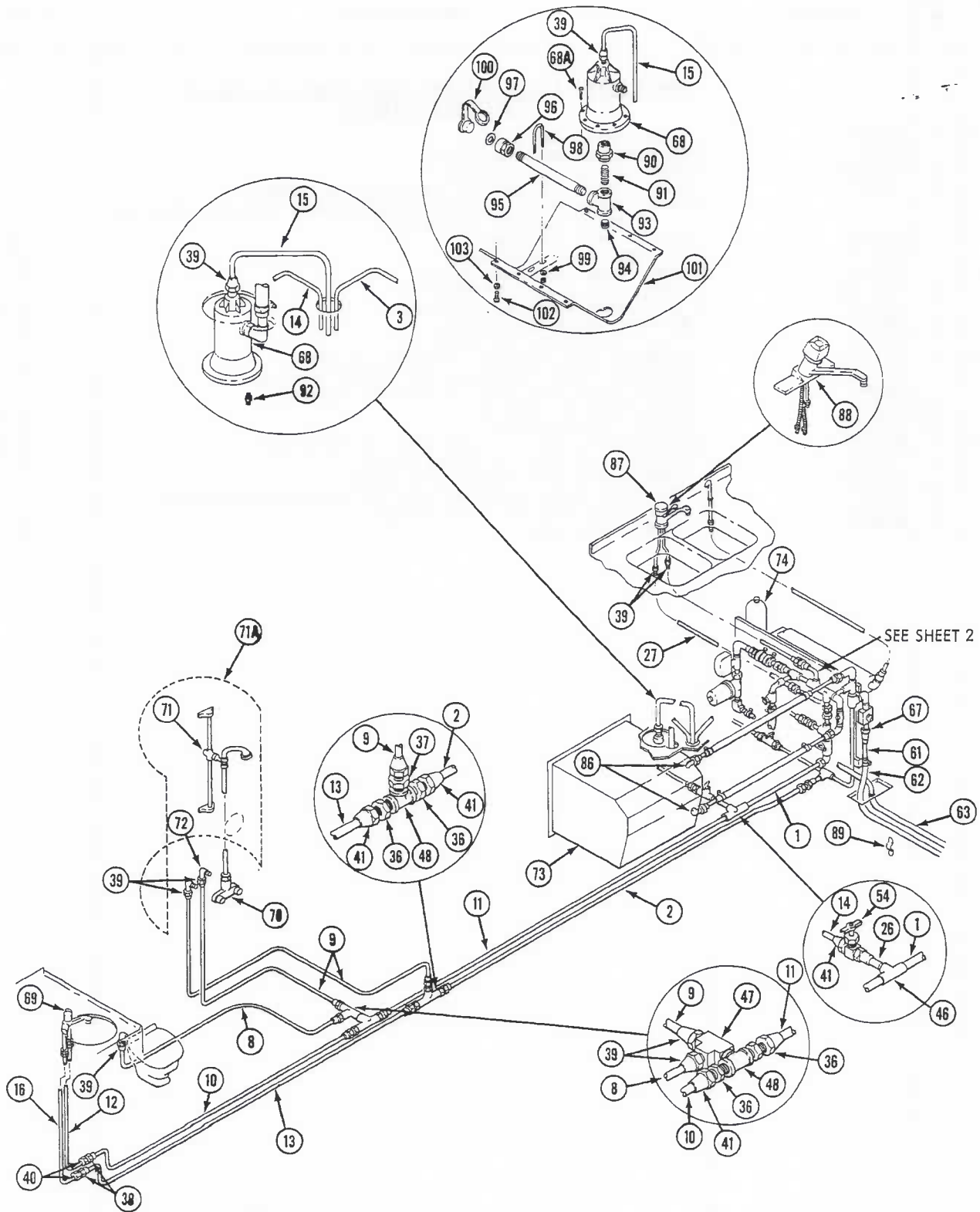


Figure 34-5. Fresh Water System (Coaches 00001 to 00645) (1 of 3)

# REPAIR PARTS LIST

GROUP 34 Water System  
MODEL 2900R

FIG NO.	ITEM NO.	PART NUMBER	ITEM DESCRIPTION	QTY PER UNIT
<u>WATER LINES &amp; COMPONENTS</u>				
<u>FLOOR PLANS "A" &amp; "J"</u>				
<u>(COACHES 00001 TO 00645)</u>				
34-5	1	M24005	TUBE, Cold Water Drain (5/8 OD-copper)	1 ft
	2	M24005	TUBE, Hot water to shower (5/8 OD-copper)	6 ft
	3	M24014	TUBE, Hot water drain (1/4 OD-copper)	1 ft
	4	M24013	TUBE, Hot water drain to tee (3/8 OD-copper)	1 ft
	5	M24005	TUBE, Tee to tee (5/8 OD-copper)	1 ft
	6	M24013	TUBE, Solenoid valve (3/8 OD-copper)	1 ft
	7	M24013	TUBE, Kitchen faucet-cold (3/8 OD-copper)	2 ft
	8	M24013	TUBE, Tee to toilet (3/8 OD-copper)	5 ft
	9	M24013	TUBE, Tee to shower (hot & cold) (3/8 OD-copper)	14 ft
34-5	10	M24005	TUBE, Tee to vanity (cold) (5/8 OD-copper)	7 ft
	11	M24005	TUBE, Tee to drain tee (cold) (5/8 OD-copper)	6 ft
	12	M24004	TUBE, To vanity (cold) (1/2 OD-copper)	3 ft
	13	M24005	TUBE, Tee to vanity (hot) (5/8 OD-copper)	6 ft
	14	M24014	TUBE, Cold water drain (1/4 OD-copper)	2 ft
	15	M24013	TUBE, System drain (3/8 OD-copper)	2 ft
	16	M24004	TUBE, To vanity (hot) (1/2 OD-copper)	3 ft
	17	M24429	TUBE, Accumulator tee to gate valve tee (3/8 OD-copper)	1 ft
	18	M24429	TUBE, Tee to accumulator (3/8 OD-copper)	1 ft
	19	M24429	TUBE, Tee to purifier (3/8 OD-copper)	1 ft
34-5	20	M24005	TUBE, Various connections (5/8 OD-copper)	1 ft
	21	M24005	TUBE, Heater connection (5/8 OD-copper)	1 ft
	22	M24005	TUBE, Heater connection (5/8 OD-copper)	1 ft
	23	M24005	TUBE, Heater connection (5/8 OD-copper)	1 ft
	24	M24005	TUBE, Gate valve connection (5/8 OD-copper)	1 ft
	25	M24005	TUBE, Gate valve tee (5/8 OD-copper)	1 ft
	26	M24013	TUBE, Hot water drain (3/8 OD-copper)	1 ft
	27	M24013	TUBE, Kitchen faucet (hot) (3/8 OD-copper)	2 ft
	28	M24070	CONNECTOR, Tube (5/8 OD 45 deg flare-5/8 OD solder)	2
	29	M24064	CONNECTOR, Tube (3/8 OD 45 deg flare-1/2 OD solder)	2
34-5	30	M24137	ADAPTER, Tube (1/2 OD solder-3/8 MPT)	1
	30A	M24184	ADAPTER, Tube (5/8 OD solder-1/4 MPT)	1
	31	M24116	ADAPTER, Tube (3/8 OD solder-1/4 MPT)	1
	32	M24066	ADAPTER, Tube (5/8 OD solder-3/8 FPT)	2
	33	M24182	ADAPTER, Tube (3/8 OD solder-1/4 FPT)	2
	34	M24135	ADAPTER, Hose (5/8 ID-3/8 MPT)	4
	35	M24059	ADAPTER, Tube (1/4 OD 45 deg flare-3/8 MPT)	1
	36	M24056	CONNECTOR, Tube (5/8 OD 45 deg flare-1/2 MPT)	4
	37	M24178	CONNECTOR, Tube (3/8 OD 45 deg flare-1/2 MPT)	1
	38	M24107	CONNECTOR, Tube (1/2 OD 45 deg flare-5/8 OD solder)	2
34-5	39	M24075	NUT, Tube (3/8 OD 45 deg flare)	11
	40	M24074	NUT, Tube (1/2 OD 45 deg flare)	2
	41	M24073	NUT, Tube (5/8 OD 45 deg flare)	10
	42	M24075	NUT, Tube (3/8 OD 45 deg flare)	2
	43	M24068	TEE, Tube (5/8 OD x 3/8 OD x 5/8 OD solder)	1
	44	M24069	TEE, Tube (5/8 OD x 5/8 OD x 5/8 OD solder)	3
	45	M24067	TEE, Tube (5/8 OD x 5/8 OD x 1/2 OD solder)	3
	46	M24194	TEE, Tube (5/8 OD x 5/8 OD x 3/8 OD solder)	2
	47	M24174	TEE, Tube (3/8 OD x 3/8 OD flare x 1/2 MPT)	1
	48	M24179	TEE, Tube (1/2 x 1/2 x 1/2 FPT)	2
34-5	49	M24083	ELBOW, Tube (1/2 FTG-1/2 OD solder)	3
	50	M24004	TUBE, Elbow to tee (1/2 OD-copper)	1 ft
	51	M24071	ELBOW, Tube (5/8 OD FTG x 5/8 OD solder)	2
	52	M24080	ELBOW, Tube (5/8 OD x 45 deg flare-5/8 OD solder)	2
	53	M24062	ELBOW, Tube (3/8 MPT x 3/8 FPT)	2
	54	M24349	VALVE, Needle (1/4 MPT x 1/4 OD compression)	2
	55	M24076	VALVE, Gate (5/8 OD solder)	3
	56	5101394	VALVE, Water heater solenoid (ASC-U8262C90)	1
	57	5101195	HOSE, High pressure water (5/8 ID)	1 ft
	58	5101195	HOSE, High pressure water (5/8 ID)	1 ft
	59	5101195	HOSE, High pressure water (5/8 ID)	1 ft

# REPAIR PARTS LIST

GROUP 34 Water System  
 MODEL 2900R

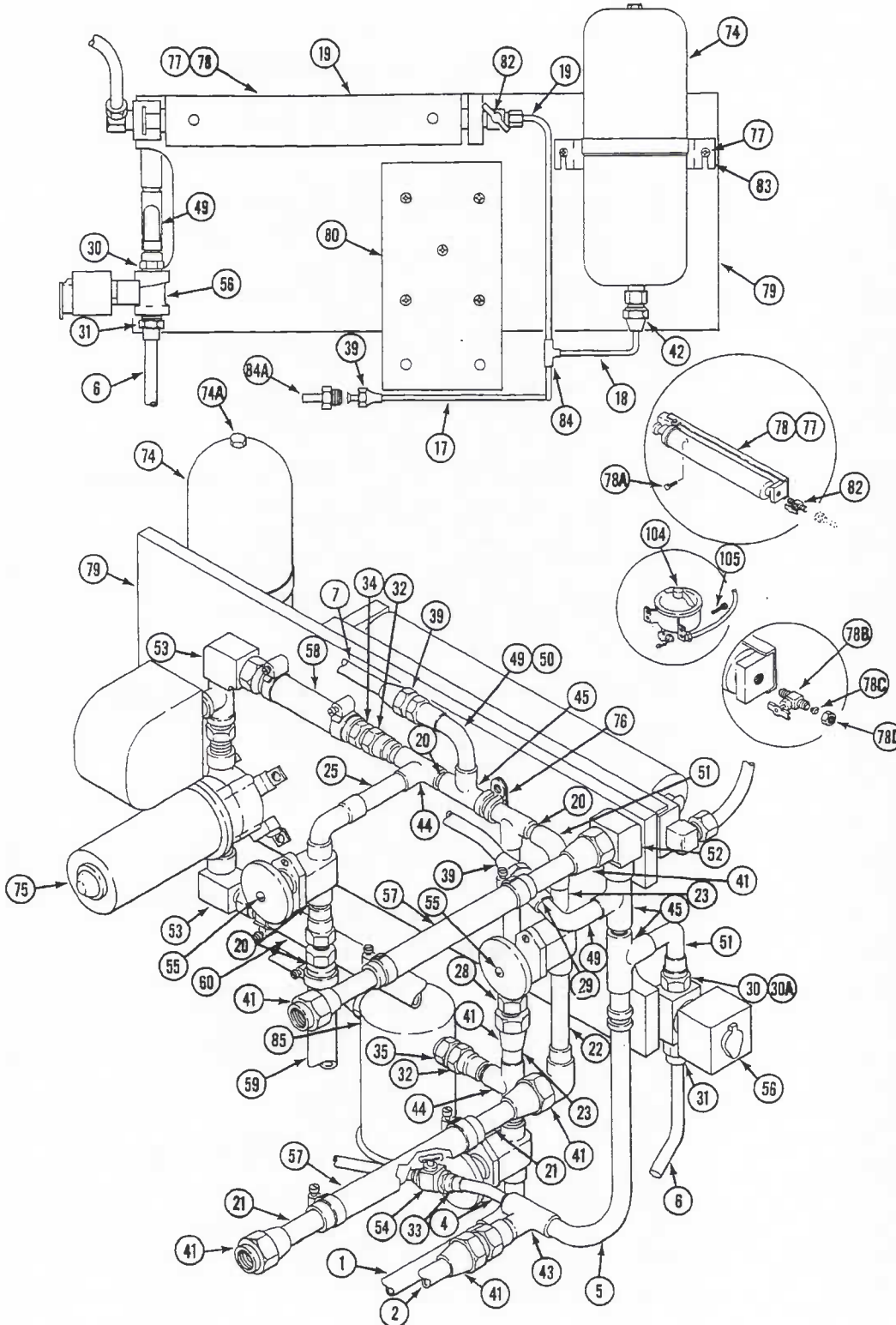


Figure 34-5. Fresh Water System (Coaches 00001 to 00645) (2 of 3)

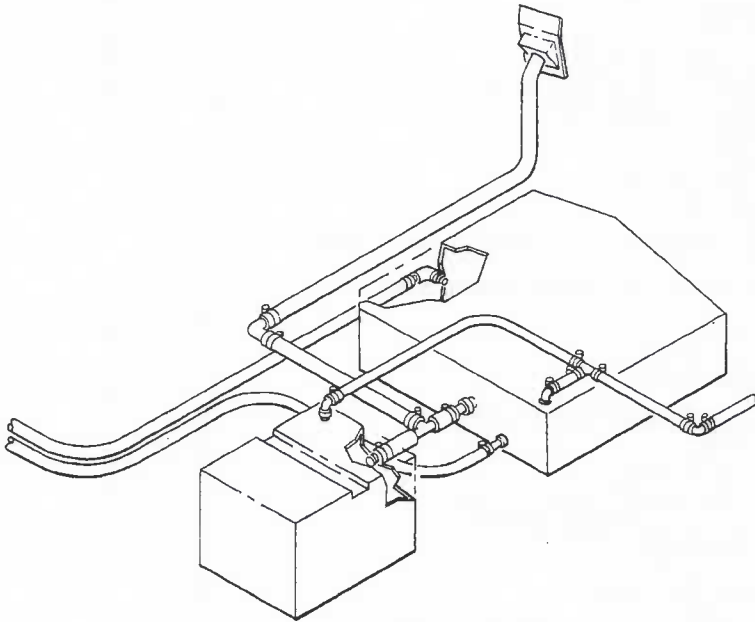
# REPAIR PARTS LIST

GROUP 34 Water System  
MODEL 2900R

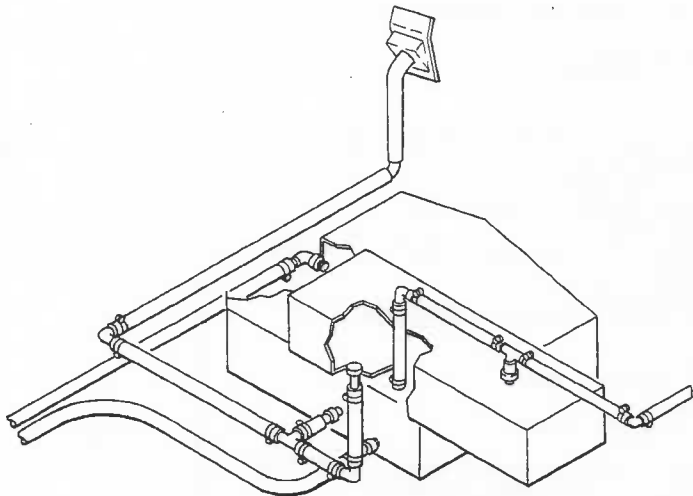
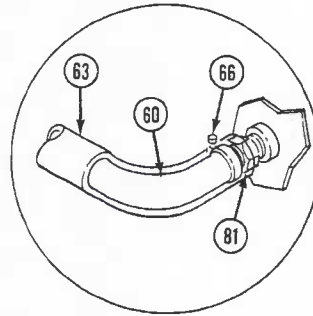
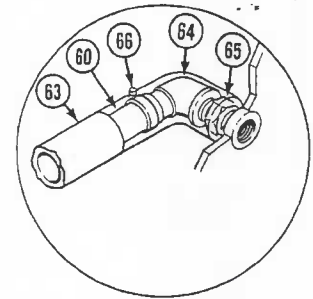
FIG NO.	ITEM NO.	PART NUMBER	ITEM DESCRIPTION	QTY PER UNIT
34-5	60	5101195	HOSE, High pressure water (5/8 ID)	10 ft
	61	M24118	HOSE, To tank (3/8 ID)	10 ft
	62	M22074	INSULATION, Hose to tank (3/4 ID)	9 ft
	63	M22076	INSULATION, Hose to tank (1 1/8 ID)	9 ft
	64	M24034	ELBOW, Tank hose (5/8 ID hose-1/2 FPT)	2
	65	M24203	NIPPLE, Tank to Elbow (1/2 MPT-2")	1
	66	M22049	CLAMP, Hose (SAE #12)	11
	67	M22041	CLAMP, Hose (SAE #60)	2
	68	5100278	ENTRY, City water (CG 160-3) NOTE: See Figure 34-10.	
		68A	M14018	SCREW, Water entry
	69	5100264	FAUCET, Vanity (MDS-74600 w/ 3/8 flare) (coach 00001 to 00250)	1
	69	5107955	FAUCET, Vanity (ABP-727SBLH) (coach 00251 & up) (sup 5101776)	1
34-5	70	5100267	VALVE, Shower (AL-1050)	1
	71	5100266	HEAD ASSY, Shower (AL-301PB) NOTE: See Figure 34-16.	1
	71A	5101741	STALL ASSY, Shower	1
	72	M24196	ELBOW, Shower head (3/8 OD-45 deg flare)	2
	73	5100277	HEATER, Water (AB-G10C) NOTE: See Figure 34-7.	1
	74	5100269	ACCUMULATOR, Water (COL-2236)	1
		M14017	SCREW, Accumulator attaching (#10 x 1/2)	2
	74A	5100269-R001	PLUG, Accumulator air bleed (COL-5/8 Hes)	1
	75	5100276	PUMP, Water (COL-2238A630) NOTE: See Figure 34-6.	1
		76	M22069	CLAMP, Tube to board (SAE #10)
	77	M14017	SCREW, Clip (#10 x 1/2)	6
	77A	5106248	FILTER, Water (DSC-DS203) (coach 00529 to 00645) NOTE: See Figure 34-12.	1
	78	5101909	FILTER, Water (coach 00251 to 00528) NOTE: See Figure 34-12.	1
	78A	M14017	SCREW, Filter (#10 x 1/2)	2
	78B	M24183	VALVE, Tube to filter (use with nut M24142) (coach 00251 to 00400)	1
	78C	5101909-R010	NUT, Tube to valve (DSC-PT503)	1
	78D	5101909-R009	SLEEVE, Tube to valve (DSC-PT502)	1
	79	5100329-32	BOARD, System mounting	1
34-5	80	5100329-33	PLATE, System board	1
	81	M24119	ADAPTER, Heater hose at tank (1/2 MPT-5/8 barbed)	1
	82	M24533	VALVE, Filter (coach 00401 & up)	1
	83	M22062	CLAMP, Accumulator to board (#12)	3
	84	M24532	TEE, Accumulator & filter (3/8 x 3/8 x 3/8)	1
	<del>84A</del>	M24181	CONNECTOR, To gate valve tee	1
	85	5100271	STRAINER, Water (JP6400 w 1/2 inch connector & 1/50 mesh) (coach 00001 to 00230)	1
	86	M24077	ELBOW, Water heater inlet/outlet	2
	87	5100263	FAUCET, Kitchen (coach 00001 to 00250) (MDS-77503 w/ 3/8 flare) NOTE: See Figure 34-8.	1
		88	5101719-R001	FAUCET, Kitchen (coach 00251 & up) NOTE: See Figure 34-9.
	89	M22070	CLAMP, Solenoid valve hose to frame	6
	M14027	SCREW, Hose clamp (#8 x 3/4)	6	
34-5	90	M24254	FITTING, City water entry female (coach 00001 to 00083)	1
	91	M24256	NIPPLE, City water entry (coach 00001 to 00083)	1
	92	M24259	FITTING, City water entry (coach 00084 to )	1
	93	M24399	TEE, City water entry (coach 00084 to )	1
	94	M24304	PLUG, Water drain (in tee)	1
	95	M24258	NIPPLE, Water drain (in tee 7" long)	1
	96	M24255	FITTING, Water drain (in tee nipple)	1
	97	M20059	WASHER, Nipple fitting	1
	98	M18111	BOLT "U", nipple attaching	1
	99	M17024	WASHER, Nipple "U" bolt	2

# REPAIR PARTS LIST

GROUP 34 Water System  
 MODEL 2900R



SEE FIGURE 34-3 FLOOR PLAN "A"



SEE FIGURE 34-4 FLOOR PLAN "J"

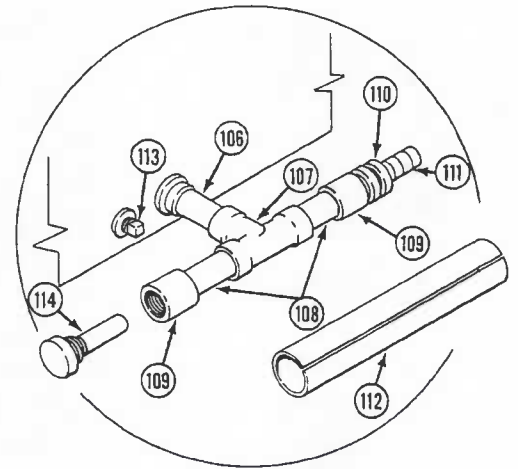


Figure 34-5. Fresh Water System (Coaches 00001 to 00645) (3 of 3)

# REPAIR PARTS LIST

GROUP 34 Water System  
MODEL 2900R

FIG NO.	ITEM NO.	PART NUMBER	ITEM DESCRIPTION	QTY PER UNIT
34-5	100	5100278-R001	CAP, Water entry plastic (CG 8-17)	1
	101	5101764-09	GUARD, Water entry	1
	102	M14017	SCREW, Entry guard (#10 x 1/2)	8
	103	M17072	WASHER, Entry guard screw (#10)	8
	104	5100265	KIT, Water purifier (W0-AT 1, PLAN 1, RVI) (coach 00001 to 00250)	1
			NOTE: See Figure 34-11.	
	105	M14017	SCREW, Purifier (#10 x 1/2)	4
	106	M24203	NIPPLE, Tank hose	1
	107	M24494	TEE, Tank hose nipple	1
	108	5106715	SLEEVE, Tee connecting	2
34-5	109	M24496	ADAPTER, Connecting sleeve	2
	110	M24522	BUSHING, Hose connector	1
	111	M24135	CONNECTOR, Hose barbed	1
	112	M22083	INSULATION, Hose connection	2 ft
	113	M24289	PLUG, Tank	1
	114	5101393	THERMOSTAT, Water tank (GV-FC9314C8P)	1
			NOTE: Items 106 to 114 part of kit #5106716. See service bulletin #2934-40001.	

# REPAIR PARTS LIST

GROUP 34 Water System  
 MODEL 2900R

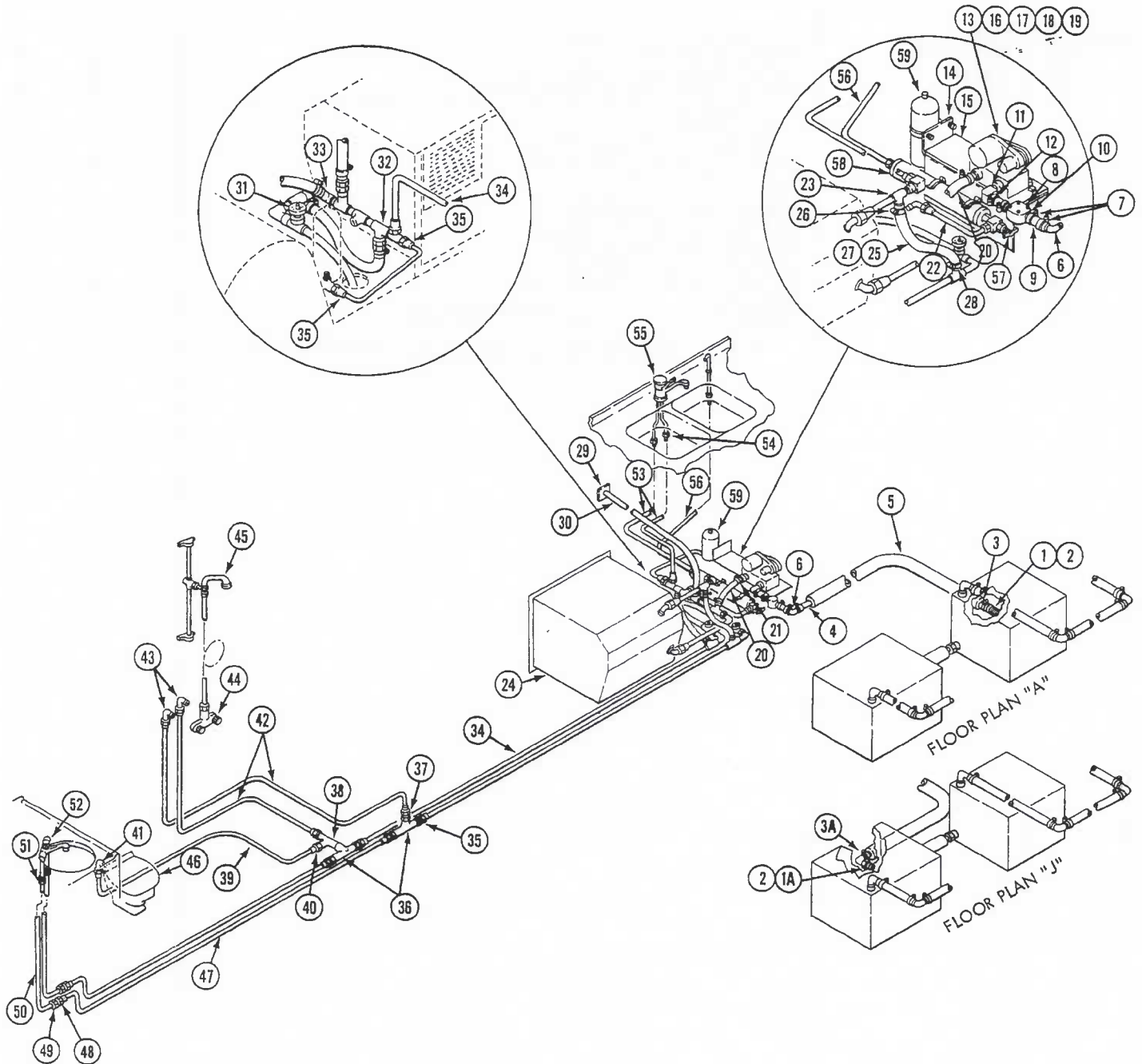


Figure 34-5.1. Fresh Water System - Floor Plans "A" & "J"  
 (Coach 00646 & Up)

# REPAIR PARTS LIST

GROUP 34 Water System  
MODEL 2900R

FIG NO.	ITEM NO.	PART NUMBER	ITEM DESCRIPTION	QTY PER UNIT	
<u>WATER LINES &amp; COMPONENTS</u>					
<u>FLOOR PLAN "A" &amp; "J"</u>					
<u>COACH 00646 up</u>					
34-5 .1	1	M24693	BUSHING, Front tank to outlet hose (1/2 MPT-3/8 FPT) ("A" only)	1	
	1A	M24203	NIPPLE, Rear tank to outlet hose ("J" only)	1	
	2	M19008	TAPE, Water connections-teflon	2 ft	
	3	M24135	CONNECTOR, Hose to tank (3/8 MPT-5/8 barbed) ("A" only)	1	
	3A	M24034	ELBOW, Hose to tank ("J" only)	1	
	4	5108811	HOSE, Tank to strainer (5/8 ID-reinforced)	5 ft	
	5	M22083	INSULATION, Hose (1 5/8 ID)	5 ft	
	6	M24034	ELBOW, Hose to strainer (1/2 FPT-1/2 barbed)	1	
	7	M22055	CLAMP, Hose to strainer	2	
	8	5107847	STRAINER, Water (CG-140-3) (coach 00690 & up)	1	
	9	5108811	HOSE, Strainer (5/8 ID-reinforced)	1 ft	
	34-5 .1	10	M24135	CONNECTOR, Hose to strainer (3/8 MPT-5/8 barbed)	1
		11	M24062	ELBOW, To pump (3/8 MPT-3/8 FPT)	1
12		M22065	CLAMP, Hose	2	
13		5100276	PUMP, Fresh water (col-2238A630) (coach 00646 to 00689)	1	
			NOTE: See Figure 34-		
13A		5106915	PUMP, Fresh water (JP-36800-1000) (coach 00690 & up)	1	
			NOTE: See Figure 34-		
14		5108106	BRACKET, Water pump	1	
15		5108829	BASE, Water pump mounting	1	
16		M17045	WASHER, Water pump attaching (1/4 flat)	2	
17		M14061	SCREW, Water pump (#8 x 1/2)	2	
18		M17024	WASHER, Water pump (1/4 lock)	4	
19		M17020	NUT, Water pump (1/4-20)	4	
34-5 .1	20	5108811	HOSE, Pump to connection manifold (5/8 ID-reinforced)	1 ft	
	21	M22055	CLAMP, Hose	2	
	22	5108794	MANIFOLD, Water heater/filter/pump connecting	1	
		M24073	NUT, Tube (5/8 OD-45 deg flare)	1	
		M24071	ELBOW, Tube (5/8 FTG-5/8 solder)	1	
		M24069	TEE, Tube (5/8 x 5/8 x 5/8 solder)	3	
		M24083	ELBOW, Tube (1/2 FTG-1/2 OD solder)	1	
		M24066	ADAPTER, Tube (5/8 solder-3/8 FPT)	3	
		M24135	ADAPTER, Hose (5/8 ID-3-8 MPT)	2	
		M24462	TEE, Male run (3/8 flare-3/8 MPT)	1	
	34-5 .1	23	M24064	CONNECTION, Tube (3/8 flare-1/2 solder)	1
			M24067	TEE, Tube (5/8 x 5/8 x 1/2 solder)	1
			5108795	MANIFOLD, Water heater/sink hot water connections	1
		M24066	ADAPTER, Tube (5/8 solder-3/8 FPT)	1	
		M24067	TEE, Tube (5/8 x 5/8 x 1/2 solder)	1	
		M24196	ELBOW, Tube (3/8 flare-3/8 MPT)	1	
		M24073	NUT, Tube (5/8 OD-45 deg flare)	2	
		M24077	ELBOW, Hot water heater inlet/outlet	1	
24		5106909	HEATER, Hot water (AB-GH6)	1	
			NOTE: See Figure 34-		
34-5 .1		25	5108811	HOSE, Hot water manifold to shower tee (5/8 ID-reinforced)	1 ft
		26	M22055	CLAMP, Hose	2
		27	5108811	HOSE, Cold water manifold to shower tee (5/8 ID-reinforced)	1 ft
	28	M22055	CLAMP, Hose	2	
	29	5100278	ENTRY, City water (CG-160-3) (coach 00646 to 00762)	1	
			NOTE: See Figure 34-10.		
	29	5108459	ENTRY, City water (JP-44410-0000) (coach 00763 & up)	1	
		M14086	SCREW, City water (#8 x 5/8)	4	
		M24135	CONNECTION, City water hose (3/8 MPT-5/8 barbed)	1	
		M24693	BUSHING, City water connection (1/2 MPT-3/8 FPT)	1	
	30	5108811	HOSE, City water to manifold connection (5/8 ID-reinforced)	2 ft	
		M22055	CLAMP, Hose	2	
	34-5 .1	31	M24076	VALVE, System drain	2
32		M24069	TEE, System drain tubing (5/8 x 5/8 x 5/8 solder)	2	
33		M24071	ELBOW, System drain tee (5/8 FTG x 5/8 solder)	2	
		M24073	NUT, Tube (5/8 OD-45 deg flare)	2	
34		M24005	TUBE, Drain tee to shower tee (5/8 OD-copper)	14 ft	

# REPAIR PARTS LIST

GROUP 34 Water System  
MODEL 2900R

FIG NO.	ITEM NO.	PART NUMBER	ITEM DESCRIPTION	QTY PER UNIT	
34-5 .1	35	M24056	CONNECTION, Tube (5/8 OD-45 deg flare-1/2 MPT)	4	
	36	M24179	TEE, Tube (1/2 x 1/2 x 1/2 FPT)	2	
	37	M24178	CONNECTOR, Tube to shower hot (3/8 OD-45 deg flare-1/2 MPT)	1	
	38	M24174	TEE, Tube to shower & toilet-cold (3/8 OD x 3/8 OD flare x 1/2 MPT)	1	
	39	M24010	TUBE, Tee to toilet (3/8 OD-copper)	5 ft	
	40	M24075	NUT, Tube-toilet line (3/8 OD-45 deg flare)	2	
	34-5 .1	41	M24196	ELBOW, Toilet connection (3/8 OD-45 deg flare)	1
		42	M24010	TUBE, Tee to shower (3/8 OD-copper)	12 ft
			M24075	NUT, Tube (3/8 OD-45 deg flare)	2
		43	M24196	ELBOW, Shower head (3/8 OD-45 deg flare)	2
44		5100267	VALVE, Shower (AL-1050)	1	
45		5100266	HEAD, Shower (AL-301PB) (coach 00646 to 00974)	1	
			NOTE: See Figure 34-16.		
45		5108834	HEAD, Shower (coach 00975 & up)	1	
			NOTE: See Figure 34-		
		46	5101741 5100411-06	STALL, Shower (JA-1025) TOILET, Assembly (TH-08430-W-CL)	1 1
		NOTE: See Figure 34-14.			
34-5 .1	47	M24005	TUBE, Tee to vanity (5/8 OD-copper)	12 ft	
	48	M24073	NUT, Tube (5/8 OD-45 deg flare)	2	
	49	M24107	CONNECTION, Tube (1/2 OD-45 deg flare-5/8 OD solder)	2	
		M22069	CLAMP, Tube to frame	12	
		M14061	SCREW, Clamp (#8 x 1/2)	12	
	50	M24004	TUBE, Vanity Line (1/2 OD-copper)	6 ft	
	51	M24074	NUT, Tube (1/2 OD-45 deg flare)	2	
	52	5107955	FAUCET, Vanity (ABP-727SBLH) (Supersedes 5101776)	1	
	53	M24010	TUBE, Kitchen water faucet (3/8 OD-copper)	4 ft	
	54	M24075	NUT, Tube (3/8 OD-45 deg flare)	4	
34-5 .1	55	5101719-R001	FAUCET, Kitchen sink	1	
			NOTE: See Figure 34-9.		
	56	M24010	TUBE, Manifold to filter (3/8 OD-copper)	1 ft	
		M24075	NUT, Tube (3/8 OD-45 deg flare)	1	
	57	M24533	VALVE, Filter needle	1	
	58	5106248	FILTER, Water (DSC-DS203)	1	
			NOTE: See Figure 34-12.		
	58	5106893	FILTER, Water (DSC-DS207)	1	
			NOTE: See Figure 34-12.		
			CLAMP, Filter line to sink	2	
34-5 .1		M24010	TUBE, Line to accumulator (3/8 OD-copper)	2 ft	
		M24075	NUT, Tube (3/8 OD-45 deg flare)	2	
		M24196	ELBOW, Accumulator tube (3/8 OD-45 deg flare)	1	
	59	5100269	ACCUMULATOR, Water pressure (COL-2236)	1	
		5100269-R001	PLUG, Accumulator (#10 x 1/2)	1	
		M18021	BOLT, Accumulator attaching (1/4-20 x 1)	2	
		M17024	WASHER, Accumulator belt (1/4 lock)	2	
		M17020	NUT, Accumulator bolt (1/4-20)	2	

# REPAIR PARTS LIST

GROUP 34 Water System  
 MODEL 00R

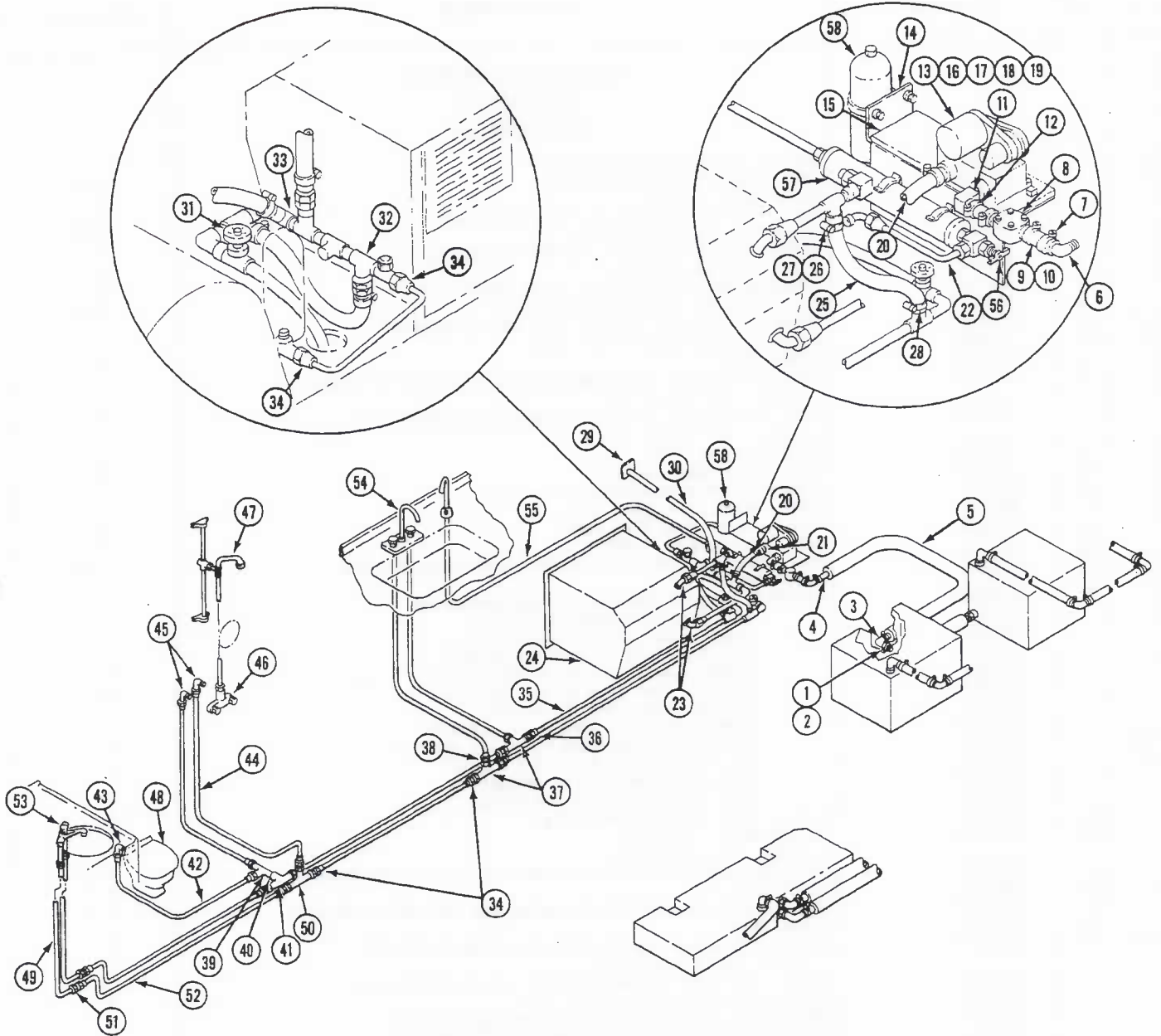


Figure 34-5.2. Fresh Water System - Floor Plan "M" (Coach 00646 & Up)

# REPAIR PARTS LIST

GROUP 34 Water System  
MODEL 2900R

FIG NO.	ITEM NO.	PART NUMBER	ITEM DESCRIPTION	QTY PER UNIT
<u>WATER LINES &amp; COMPONENTS</u>				
<u>FLOOR PLAN "M"</u>				
<u>COACH 00646 &amp; UP</u>				
34-5 .2	1	M24203	NIPPLE, Rear tank to outlet hose	1
	2	M19008	TAPE, Water connections-teflon	2 ft
34-5 .2	3	M24034	ELBOW, Hose to tank	1
	4	5108811	HOSE, Tank to strainer (5/8 ID-reinforced)	5 ft
	5	M22083	INSULATION, Hose (1 5/8 ID)	5 ft
	6	M24034	ELBOW, Hose to strainer (1/2 FIT-1/2 barbed)	1
	7	M22055	CLAMP, Hose to strainer	2
	8	5107847	STRAINER, Water (CG-140-3) (coach 00690 & up)	1
	9	5108811	HOSE, Strainer (5/8 ID-reinforced)	1 ft
	10	M24135	CONNECTOR, Hose to strainer (3/8 MPT-5/8 barbed)	1
	11	M24062	ELBOW, To pump (3/8 MPT-3/8 FPT)	1
	12	M22065	CLAMP, Hose	2
34-5 .2	13	5100276	PUMP, Fresh water (COL-2238-A730) (coach 00646 to 00689) NOTE: See Figure 34-	1
		5106915	PUMP, Fresh water (JP-36800-1000) (coach 00690 & up) NOTE: See Figure 34-	1
	14	5108106	BRACKET, Water pump	1
	15	5108829	BASE, Water pump mounting	1
	16	M17045	WASHER, Water pump attaching (1/4 flat)	2
	17	M14061	SCREW, Water pump (#8 x 1/2)	2
	18	M17024	WASHER, Water pump (1/4 lock)	4
	19	M17020	NUT, Water pump (1/4-20)	4
	20	5108811	HOSE, Pump to connection manifold (5/8 ID-reinforced)	1 ft
	21	M22055	CLAMP, Hose	2
34-5 .2	22	5108809	MANIFOLD, Water heater-filter-Pump connecting	1
		M24073	NUT, Tube (5/8 OD-45 deg flare)	1
		M24071	ELBOW, Tube (5/8 FTG-5/8 solder)	1
		M24069	TEE, Tube (5/8 x 5/8 x 5/8 solder)	3
		M24083	ELBOW, Tube (1/2 FTG-1/2 OD solder)	1
		M24066	ADAPTER, Tube (5/8 solder-3/8 FPT)	3
		M24135	ADAPTER, Tube (5/8 ID-3/8 MPT)	2
		5100850	CONNECTION, Male (3/8 flare-3/8 MPT)	1
		M24064	CONNECTION, Tube (3/8 flare-1/2 solder)	1
		M24067	TEE, Tube (5/8 x 5/8 x 1/2 solder)	1
34-5 .2		5108865	LINE, Water heater hot connection	1
		M24073	NUT, Tube (5/8 OD-45 deg flare)	1
	23	M24077	ELBOW, Water heater inlet/outlet	2
	24	5106909	HEATER, Water (AB-GH-6) NOTE: See Figure 34-	1
	25	5108811	HOSE, Hot water manifold to shower tee (5/8 ID-reinforced)	2 ft
	26	M22055	CLAMP, Hose	2
	27	5108811	HOSE, Cold water manifold to shower tee (5/8 ID-reinforced)	1 ft
	28	M22055	CLAMP, Hose	2
	29	5100278	ENTRY, City water (CG-160-3) (coach 00464 to 00762) NOTE: See Figure 34-10.	1
	34-5 .2		5108459	ENTRY, City water (JP-44410-0000) (coach 00763 & up)
		M14086	SCREW, City water entry (#8 x 5/8)	4
		M24135	CONNECTION, City water hose (3/8 MPT-5/8 barbed)	1
		M24693	BUSHING, City water connection (1/2 MPT-3/8 FPT)	1
		5108811	HOSE, City water to manifold connection (5/8 ID-reinforced)	2 ft
		M22055	CLAMP, Hose	2
		M24076	VALVE, System drain	2
		M24069	TEE, System drain tubing (5/8 x 5/8 x 5/8 solder)	2
		M24071	ELBOW, System drain tee (5/8 FTG-5/8 solder)	2
		M24073	NUT, Tube (5/8 OD-45 deg flare)	2
34-5 .2	35	M24005	TUBE, Drain tee to wet bar tee (5/8 OD-copper)	10 ft
	36	M24056	CONNECTION, Tube (5/8 OD-45 deg flare-1/2 MPT)	4
	37	M24179	TEE, Tube (1/2 x 1/2 x 1/2 FPT)	2
	38	M24178	CONNECTOR, Tube to wet bar (3/8 OD-45 deg flare-1/2 MPT)	2
	39	M24462	TEE, Tube to shower & toilet-cold (3/8 OD-3/8 OD flare-3/8 MPT)	1

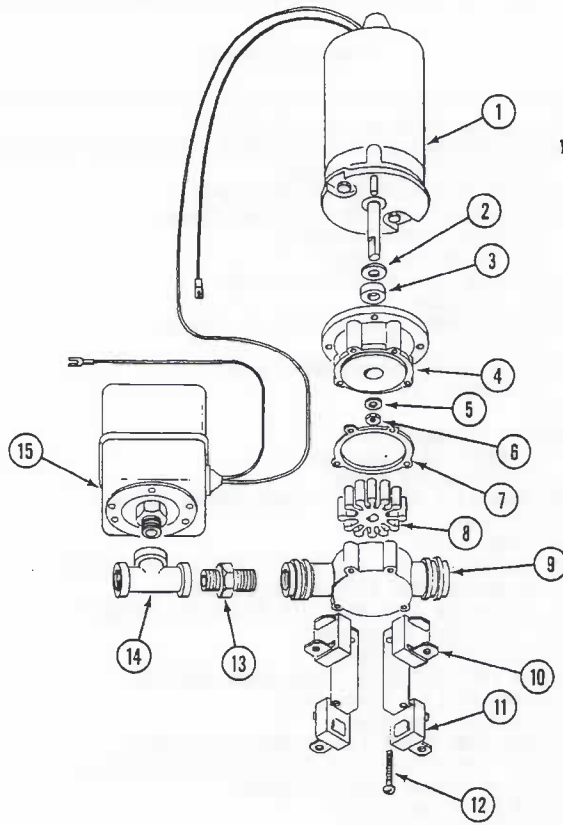
# REPAIR PARTS LIST

GROUP 34 Water System  
MODEL 2900R

FIG NO.	ITEM NO.	PART NUMBER	ITEM DESCRIPTION	QTY PER UNIT	
34-5 .2	40	M24066	ADAPTER, Tee to tee (5/8 solder-3/8 FPT)	1	
	41	M24067	TEE, Shower-toilet-vanity line-cold (5/8 x 5/8 x 1/2 solder)	1	
	42	M24010	TUBE, Tee to toilet (3/8 OD-copper)	3 ft	
		M24075	NUT, Tube-toilet line (3/8 OD-45 deg flare)	2	
	43	M24196	ELBOW, Toilet connection (3/8 OD-45 deg flare)	1	
	44	M24010	TUBE, Tee to shower (3/8 OD-copper)	7 ft	
		M24075	NUT, Tube (3/8 OD-45 deg flare)	4	
	45	M24196	ELBOW, Shower head (3/8 OD-45 deg flare)	2	
	46	5100267	VALVE, Shower (AL-1050)	1	
	47	5100266	HEAD, Shower (AL-301PB) (coach 00646 to 00974) NOTE; See Figure 34-16.	1	
		5108834	HEAD, Shower (JA-1025) (coach 00975 & up) NOTE: See Figure 34-	1	
		5101741	STALL, Shower	1	
	48	5100411-06	TOILET ASSEMBLY (TH-08430-W-GL)	1	
	49	M24005	TUBE, Tee to vanity (5/8 OD-copper)	32 ft	
		M24073	NUT, Tube (5/8 OD-45 deg flare)	2	
		M24107	CONNECTION, Tube (1/2 OD-45 deg flare-5/8 OD solder)	2	
		M22069	CLAMP, Tube to frame	12	
	34-5 .2	50	M14061	SCREW, Clamp (#8 x 1/2)	12
			M24067	TEE, Shower-toilet-vanity line (5/8 x 5/8 x 1/2 solder)	1
			M24083	ELBOW, Tee to vanity line (1/2 x 1/2 solder)	1
51		M24064	CONNECTION, To vanity line-hot (3/8 flare-1/2 solder)	1	
52		M24004	TUBE, Vanity line (1/2 OD-copper)	6 ft	
		M24074	NUT, Tube (1/2 OD-45 deg flare)	2	
53		5107955	FAUCET, Vanity (ABP-727SBLH) (supersedes 5101776)	1	
		M24010	TUBE, Vanity faucet (3/8 OD-copper)	10 ft	
		M24075	NUT, Tube (3/8 OD-45 deg flare)	4	
54		5106082	FAUCET, Wet bar (ABP-700S) (coach 00646 to 00996)	1	
	5108869	FAUCET, Wet bar (MOB-771-230-4"CTR) (coach 00997 & up)	1		
34-5 .2	55	M24010	TUBE, Manifold to filter (3/8 OD-copper)	1 ft	
		M24075	NUT, Tube (3/8 OD-45 deg flare)	1	
	56	M24533	VALVE, Filter needle	1	
	57	5106248	FILTER, Water (DSC-203) NOTE: See Figure 34-	1	
		5106893	FILTER, Water (DSC-DS207) NOTE: See Figure 34-	1	
		M22069	CLAMP, Filter line to set bar	2	
		M24010	TUBE, Line to accumulator (3/8 OD-copper)	2 ft	
		M24075	NUT, Tube (3/8 OD-45 deg flare)	2	
		M24196	ELBOW, Accumulator tube (3/8 OD-deg flare)	1	
		5100269	ACCUMULATOR, Water pressure (COL-2236)	1	
34-5 .2		5100269-RO01	PLUG, Accumulator (#10 x 1/2)	1	
		M18021	BOLT, Accumulator attaching (1/4-20 x 1)	2	
		M17024	WASHER, Accumulator bolt (1/4 lock)	2	
		M17020	NUT, Accumulator bolt (1/4-20)	2	
		5107760	BUCKET, Ice (coach 00758 & up)	1	
		5107762	CHEST, Ice (coach 00758 & up)	1	

# REPAIR PARTS LIST

GROUP 34 Water System  
MODEL 2900R



NOTE: See Figure  
34-5 for pump  
hookup & lines

Figure 34-6. Water Pump (Coleman; Coaches  
00001 to 00689)

SD-179

FIG NO.	ITEM NO.	PART NUMBER	ITEM DESCRIPTION	QTY PER UNIT
34-6		5100276	PUMP ASSY, Fresh water (COL-2238A-630)	1
34-6	1	5100276-R001	MOTOR, Fresh water pump (COL-2238A351)	1
	2	5100276-R002	SLINGER, Fresh water pump motor (COL-2235-306)	1
	3	5100276-R003	SEAL, Fresh water pump motor shaft (COL-2235-300)	1
	4	5100276-R004	BRACKET, Fresh water pump motor mounting (COL-2235-006)	1
	5	5100276-R005	WASHER, Pump motor shaft lock (COL-120C901)	2
	6	5100276-R006	NUT, Pump motor shaft hex (COL-1201B511)	2
	7	5100276-R007	GASKET, Pump motor bracket (COL-2235-311)	1
	8	5100276-R008	IMPELLER, Pump motor (COL-2235A443)	1
	9	5100276-R009	HOUSING, Pump motor impeller (COL-2235-001)	1
34-6	10	5100276-R010	MOUNT, Pump motor (COL-2238-522)	4
	11	5100276-R011	BRACKET, Pump mount (COL-2238-A008)	2
	12	5100276-R012	SCREW, Pump mount to bracket (COL-1059-C1016)	4
	13	5100276-R013	VALVE, Pump check (COL-2235-516)	1
	14	5100276-R014	TEE, Pump pressure switch (COL-2235-411)	1
	15	5100276-R015	SWITCH, Pump pressure (COL-2235-370)	1

# REPAIR PARTS LIST

GROUP 34 Water System  
 MODEL 2900R

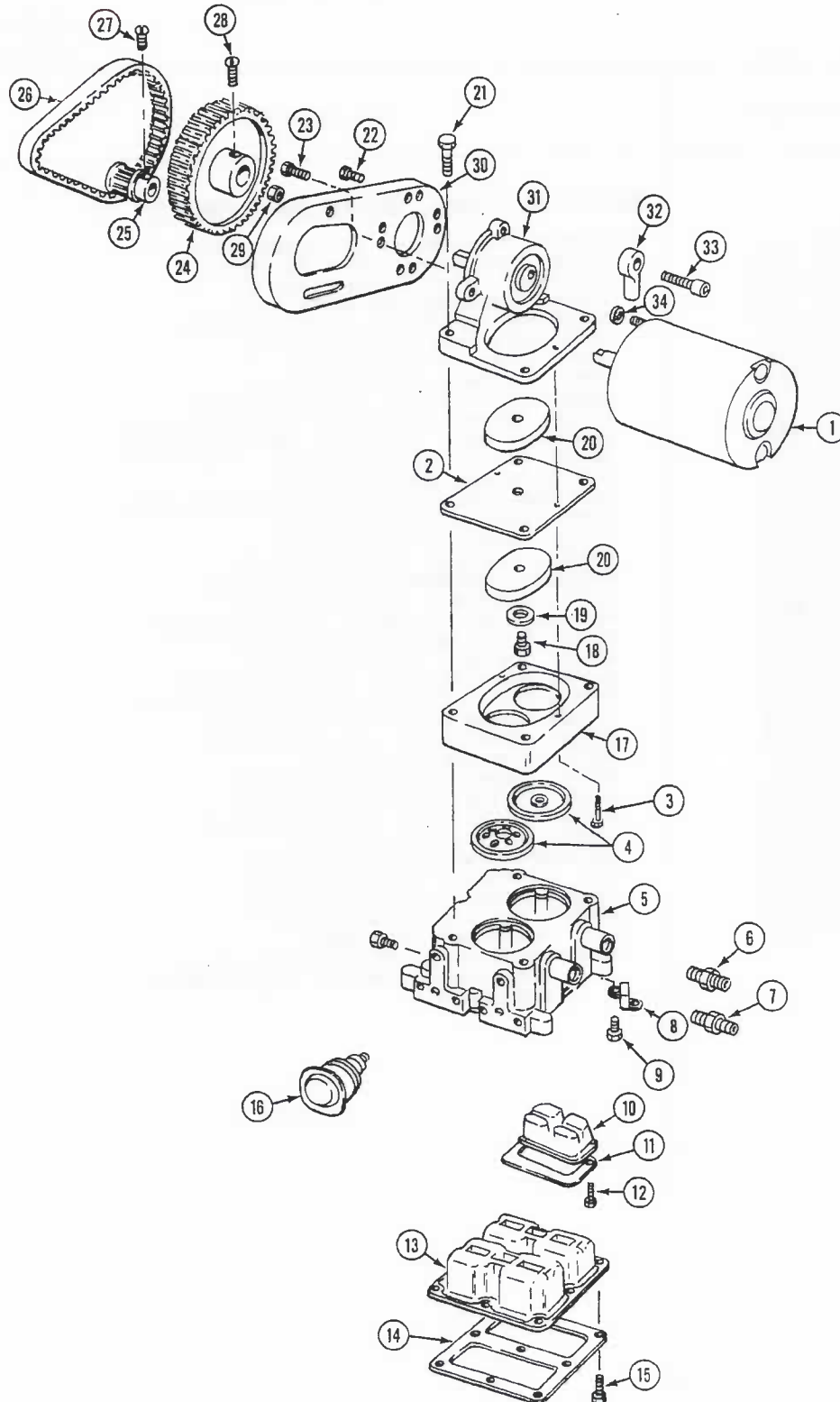


Figure 34-6.1. Belt driven water pump  
 (Coach 00690 and up)

# REPAIR PARTS LIST

GROUP 34 Water System  
MODEL 2900R

FIG NO.	ITEM NO.	PART NUMBER	ITEM DESCRIPTION	QTY PER UNIT
34-6	1		<u>WATER PUMP (JABSCO; COACHES 00690 AND UP)</u>	
			PUMP ASSY, Fresh water (JP-36800-1000)	1
		1	5106915-R001 MOTOR, Pump drive (JP-30200-0000)	1
		2	5106915-R002 DIAPHRAGM, Pump (JP-30015-0000)	1
		3	5106915-R009 SCREW, Diaphragm (JP-34743-0000)	2
		4	5106915-R003 VALVE SET, Diaphragm (JP-30004-0000)	1
		5	5106915-R010 BASE ASSY, Pump (JP-35625-0100)	1
		6	5106915-R011 PORT, Inlet (JP-42986-0000)	1
		7	5106915-R012 PORT, Discharge (JP-43006-0000)	1
		8	5106915-R013 DAMPENER, Vibration (JP-35432-0000)	1
		9	5106915-R014 SCREW, Vibration dampener (JP-35618-0000)	4
		10	5106915-R004 DAMPENER, Small pulsation (JP-35627-0000)	1
		11	5106915-R015 PLATE, Bottom (JP-35628-0000)	1
		12	5106915-R016 SCREW, Bottom (JP-35508-0000)	3
		13	5106915-R005 DAMPENER, Large pulsation (JP-35597-0000)	1
		14	5106915-R018 COVER, Bottom (JP-35623-0000)	1
		15	5106915-R017 SCREW, Cover (JP-34677-0000)	9
		16	5106915-R006 SWITCH, Pressure (JP-37122-0010)	1
		17	5106915-R019 RETAINER, Diaphragm (JP-35497-0000)	1
		18	5106915-R020 SCREW, Diaphragm (JP-34679-0000)	1
		19	5106915-R021 WASHER, Diaphragm screw (JP-35518-0000)	1
		20	5106915-R022 PLATE, Diaphragm (JP-35503-0000)	2
		21	5106915-R024 SCREW, Tie down (JP-34674-0000)	4
		22	5106915-R023 SCREW, Motor to mount (JP-34676-0000)	4
		23	5106915-R023 SCREW, Jackshaft to mount (JP-34676-0000)	4
		24	5106915-R025 PULLEY, Large drive (JP-34523-0000)	1
		25	5106915-R026 PULLEY, Small drive (JP-34522-0000)	1
		26	5106915-R007 BELT, Drive (JP-30021-0000)	1
		27	5106915-R027 SCREW, Pulley set (JP-35242-0000)	1
		28	5106915-R028 SCREW, Pulley set (JP-36562-0000)	1
		29	5106915-R029 NUT & WASHER, Motor (JP-34681-0000)	2
		30	5106915-R030 MOUNT Motor (JP-34628-0020)	1
		31	5106915-R031 JACKSHAFT, Pump (JP-35506-0000)	1
		32	5106915-R032 ROD, Connecting (JP-35465-0000)	1
33	5106915-R033 SCREW, Eccentric (JP-35464-0000)	1		
34	5106915-R034 WASHER, Motor (JP-34685-0000)	2		
	5106915-R008 KIT, Repair (JP-30122-0000)	1		
		NOTE: Above repair kit includes belt, diaphragm, valve set and pulsation dampeners.		

# REPAIR PARTS LIST

GROUP 34 Water System  
MODEL 2900R

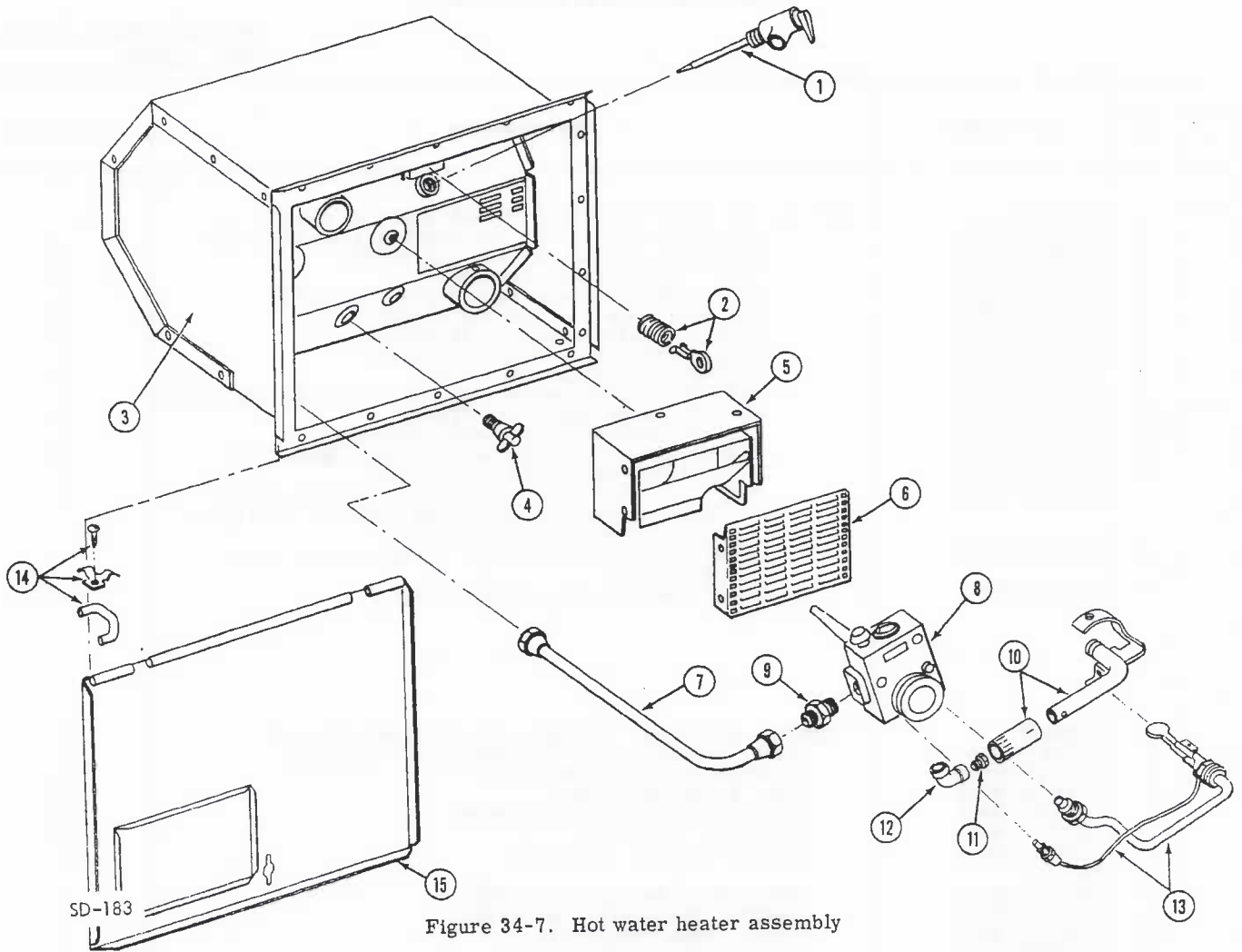


Figure 34-7. Hot water heater assembly

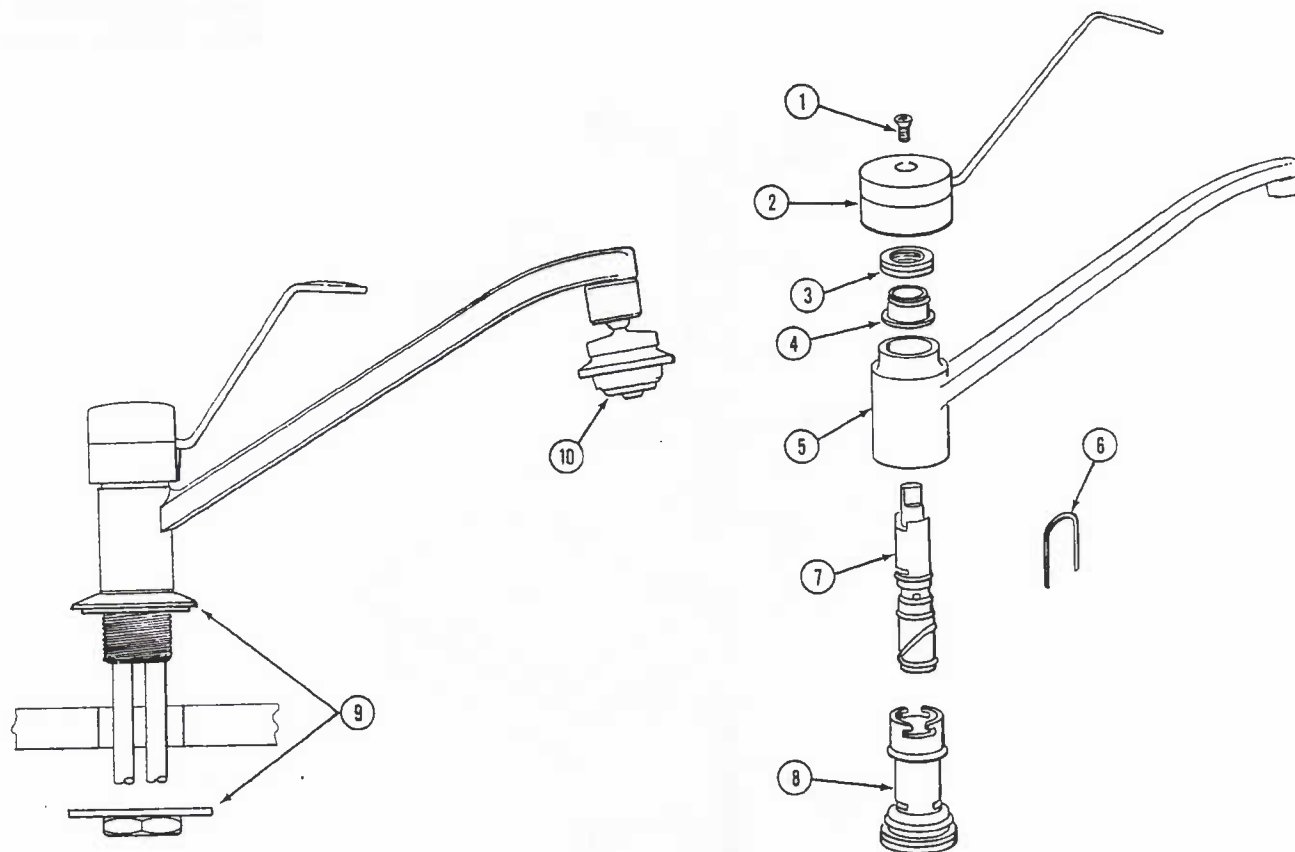
# REPAIR PARTS LIST

GROUP 34 Water System  
MODEL 2900R

FIG NO.	ITEM NO.	PART NUMBER	ITEM DESCRIPTION	QTY PER UNIT	
34-7		5100277	HEATER, Hot water (AB-G10C) (coach 00001 to 00645)		
	1	5100277-R004	VALVE, Heater relief (AB-92656 w/1/2" fitting)	1	
	2	5100277-R009	FASTENER, Heater cam-loc (AB-92609)	1	
	3	5100277-R010	TANK, Heater inner (AB-92737)	1	
	4	5100277-R005	VALVE, Heater inner tank drain (AB-92698)	1	
	5	5100277-R011	BOX ASSY, Heater flue (AB-92783)	1	
	6	5100277-R012	GRILLE, Heater exhaust (AB-92787)	1	
	7	5100277-R013	TUBE, Heater gas inlet (AB-92888)	1	
	8	5100277-R008	THERMOSTAT, Heater (AB-92726)	1	
	9	5100277-R015	ADAPTER, Heater thermostat to inlet tube (AB-92812)	1	
	34-7	10	5100277-R002	BURNER, Heater main (AB-92615)	1
		11	5100277-R006	ORIFICE, Heater main burner (AB-92743)	1
		12	5100277-R014	ELBOW, Heater main burner orifice (AB-92741)	1
		13	5100277-R003	PILOT ASSY, Heater main (AB-92616)	1
			5100277-R016	ORIFICE, Pilot light 0.0065 (AB-92616-0.0065)	1
			NOTE: Above orifice to be used for difficult lighting problems only		
14		5100277-R001	HINGE ASSY, W/SCREW LOCK, Heater access cover (AB-92568)	1	
15	5100277-R007	COVER, Heater access (AB-92839)	1		
34-7		5106909	HEATER, Hot water (AB-GH6) (coach 00646 and up)	1	
	1	5100277-R004	VALVE, Heater relief (AB-92656 w/1/2" fitting)	1	
	2	5100277-R009	FASTENER, Com loc (AB-92609)	1	
	3	5106909-R001	TANK, Inner (AB-92763)	1	
	4	5100277-R005	VALVE, Heater drain (AB-92698)	1	
	5	5100277-R011	BOX, Flue (AB-92783)	1	
	6	5100277-R012	GRILLE, Exhaust (AB-92787)	1	
	7	NA			
	8	5100277-R008	THERMOSTAT, Heater (AB-93726)	1	
	9	5100277-R015	ADAPTER, Thermostat (AB-92812)	1	
	10	5100277-R002	BURNER, Main (AB-92615)	1	
	11	5106909-R002	ORIFICE, Burner (AB-92742)	1	
	12	5100277-R014	ELBOW, Burner orifice (AB-92741)	1	
	13	5100277-R003	PILOT, Main (AB-92616)	1	
		5100277-R016	ORIFICE, Pilot light (AB-92616-0.0065)	1	
		NOTE: Above orifice to be used for difficult lighting problems only			
14	5100277-R001	HINGE, Access cover (AB-92568)	1		
15	5106909-R003	COVER, Access (AB-92825)	1		

# REPAIR PARTS LIST

GROUP 34 Water System  
 MODEL 2900R



SD-184

Figure 34-8. Kitchen faucet assembly (coach 00001 to 00250)

FIG NO.	ITEM NO.	RVD PART NUMBER	ITEM DESCRIPTION	QTY PER UNIT
<u>COMPONENT PARTS OF 5100263 KITCHEN FAUCET ASSEMBLY</u> (COACH 00001 TO 00250)				
34-8	1	5100263-R001	SCREW, Kitchen faucet handle (MDS-733)	1
	2	5100263-R002	HANDLE, Kitchen faucet (MDS-690)	1
	3	5100263-R003	NUT, Kitchen faucet spout retainers (MDS-688)	1
	4	5100263-R004	SLEEVE, Kitchen faucet grooved (MDS-1304)	1
	5	5100263-R005	SPOUT, Kitchen faucet (9") (MDS-739)	1
	6	5100263-R006	CLIP, Kitchen faucet cartridge (MDS-1883)	1
	7	5100263-R007	CARTRIDGE, Kitchen faucet valve (MDS-1200)	1
	8	5100263-R008	SEALS, Kitchen faucet spout (MDS-137)	2
	9	5100263-R009	PACKAGE, Kitchen faucet attaching hardware (MDS-10173)	1
	10	5100263-R010	NOZZLE, Swing-n-spray (MDS-20200)	1

# REPAIR PARTS LIST

GROUP 34 Water System  
 MODEL 2900R

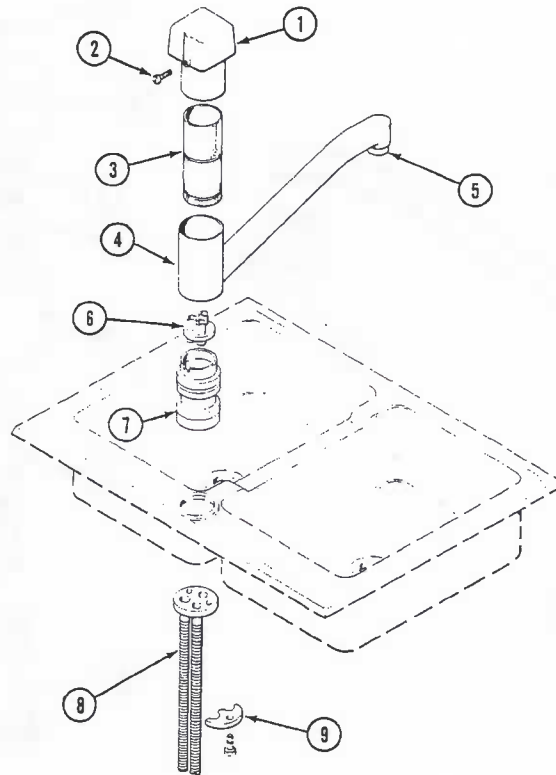


Figure 34-9. Kitchen faucet assembly - coach 000251 and up.

SD-364

FIG NO.	ITEM NO.	RVD PART NUMBER	ITEM DESCRIPTION	QTY PER UNIT
34-9	1	5101719-R010	<u>COMPONENT PARTS OF 5101719-R001 KITCHEN FAUCET ASSEMBLY</u> (COACH 00251 AND UP)	
	2	5101719-R011	HANDLE, Dial (VS 30011-2571)	1
	3	5101719-R003	SCREW, Dial handle (VS 30020-1070)	1
	4	5101719-R004	CARTRIDGE, Dial (VS 30030-1070)	1
	5	5101719-R005	SPOUT W/AERATOR, Swing (VS 30050-1070)	1
	6	5101719-R006	AERATOR, Swing spout (VS 30060)	1
	7	5101719-R007	SEAL ASSY, Strainer (VS 30150-1070)	1
	8	5101719-R008	BODY ASSY, Mounting, includes 2 "O" rings and gasket adaptor (VS 31000-1070)	1
	9	5101719-R009	RISER ASSY, 10 inch, includes 2 screws (VS 31021-1070)	1
			WASHER, Support (VS 30401-1070)	2

# REPAIR PARTS LIST

GROUP 34 Water System  
 MODEL 2900R

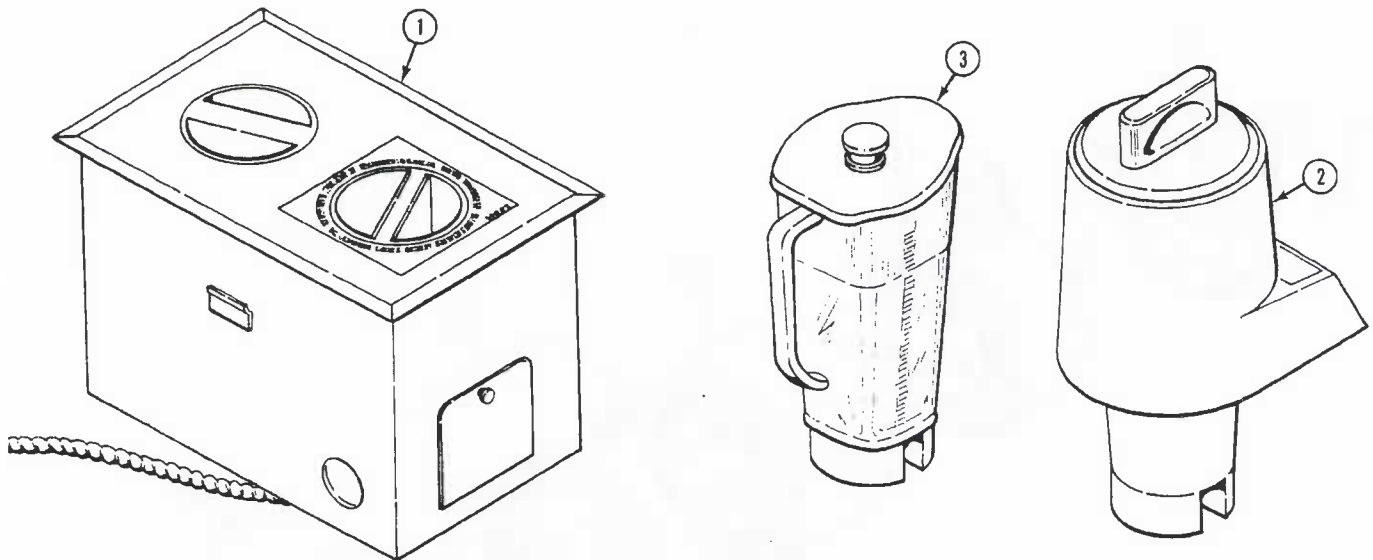


Figure 34-9.1. Blender-ice-crusher-power unit  
 (Coaches: "A" - "J" and "M" 00530 and up)

FIG NO.	ITEM NO.	PART NUMBER	ITEM DESCRIPTION	QTY PER UNIT
			<u>BLENDER - ICE CRUSHER - AND POWER UNIT COACHES "A"</u> <u>"J" AND "M" 00530 AND UP</u>	
34-9.1	1	5106076-03	UNIT, Power (NT-250)	1
	2	5106076-02	CRUSHER, Ice (NT-280)	1
34-9.1	3	5106076-01	BLENDER, Food (NT-272)	1

# REPAIR PARTS LIST

GROUP 34 Water System  
 MODEL 2900R

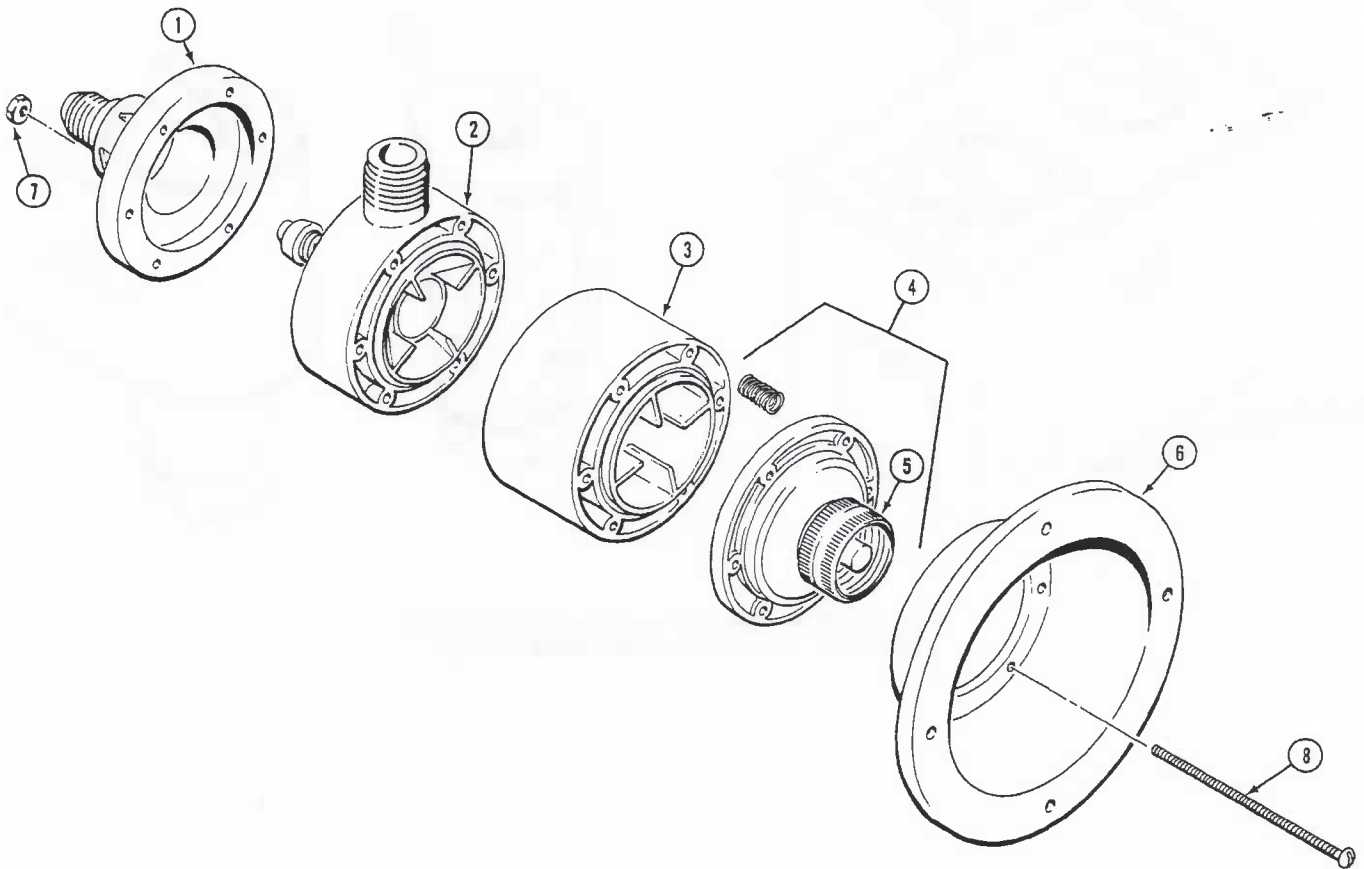


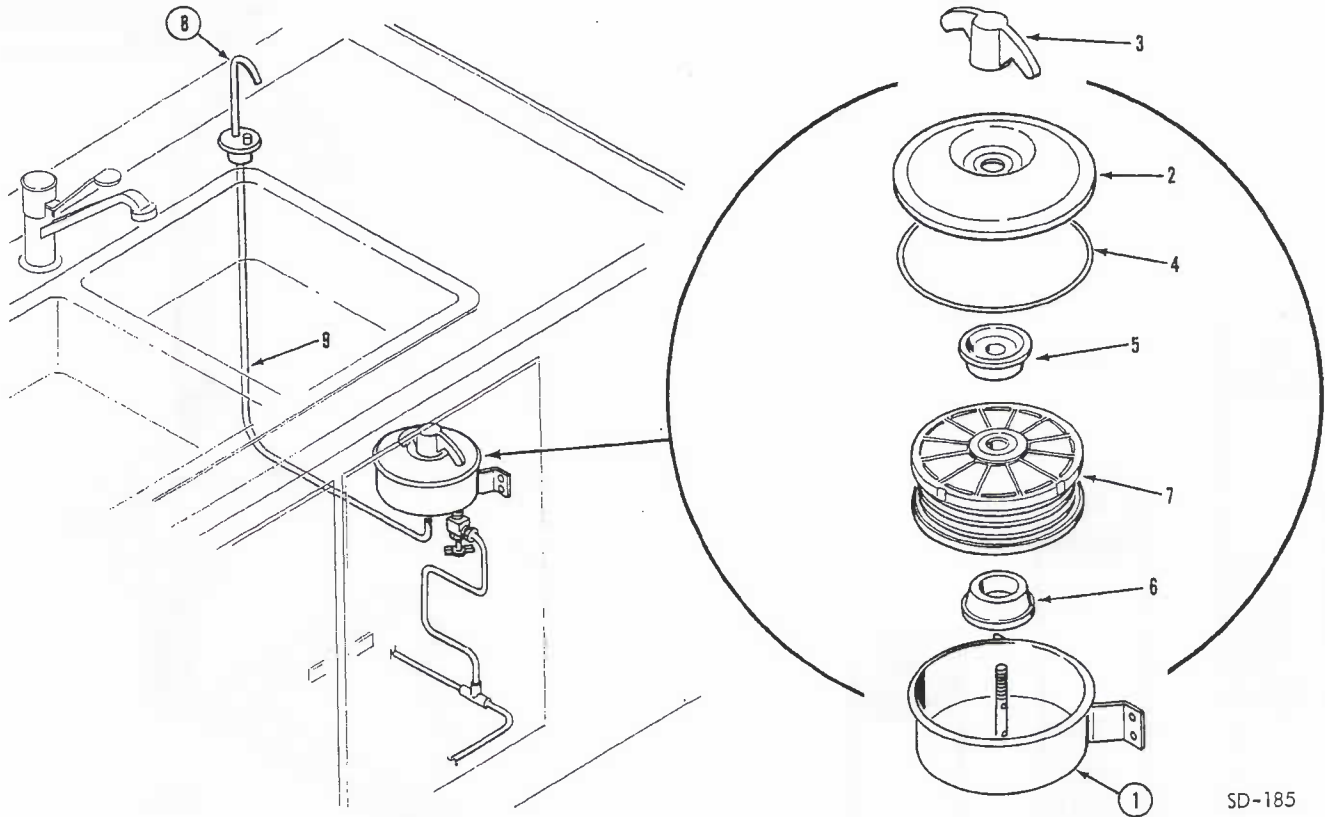
Figure 34-10. City Water Entry Components (Coach 00001 to 00762)

SD-365

FIG NO.	ITEM NO.	RVD PART NUMBER	ITEM DESCRIPTION	QTY PER UNIT
34-10		5100278	<u>COMPONENT PARTS OF 5100278 CITY WATER ENTRY</u>	
	1	5100278-R005	ENTRY, City water (CG 160-3)	1
	2	5100278-R003	BELL, Water entry back (CG 021-290)	1
	3	5100278-R006	REGULATOR, Water entry pressure (CG 086-030)	1
	4	5100278-R002	SPACER, Water entry (CG 021-340)	1
	5	5100278-R007	BELL AND CHECK VALVE W/SPRING, Water entry (CG 086-020)	1
	6	5100278-R004	HOSE CONNECTION W/PUSH BUTTON	1
	7	5100278-R008	FLANGE, Water entry mounting (CG 021-230)	1
	8	5100278-R009	NUT, Hexagon, No. 6-32 BOLT, No. 6-32 x 3	6 6

# REPAIR PARTS LIST

GROUP 34 Water System  
 MODEL 2900R



SD-185

Figure 34-11. Water purifier components (coach 00001 to 00250)

FIG NO	ITEM NO.	RVD PART NUMBER	ITEM DESCRIPTION	QTY PER UNIT
<u>COMPONENT PARTS OF 5100265 WATER PURIFIER</u> <u>(COACH 00001 TO 00250)</u>				
34-11	1	5100265-R003	BODY W/BRACKET, Purifier (WO-25-101-2PB)	1
	2	5100265-R004	COVER, Purifier body (WO-25-102-1P)	1
	3	5100265-R005	NUT, Purifier body cover wing (WO-25-103-1)	1
	4	5100265-R006	GASKET, Purifier body cover (WO-25-50-2)	1
	5	5100265-R007	GASKET, Purifier cover wingnut (WO-25-11)	1
	5	5100265-R008	SEAL, Purifier cover (WO-25-104-3)	1
	6	5100265-R009	SEAL, Purifier body (WO-25-104-3L)	1
	7	5100265-R001	KIT, Purifier rubber seal replacement (WO-25RA-1)	1
	7	5100265-R002	CARTRIDGE, Purifier 0.4 micron - 200 gallons (WO-SM1 + green end washers)	1
8	5100265-R010	FAUCET, Ledge chrome plated (WO-25-160)	1	
		5100265-R011	KIT, Ledge faucet overhaul (WO-25-160 REP)	1
		5100265-R012	TUBING, Purifier to ledge faucet	1

# REPAIR PARTS LIST

GROUP 34 Water System  
 MODEL 2900R

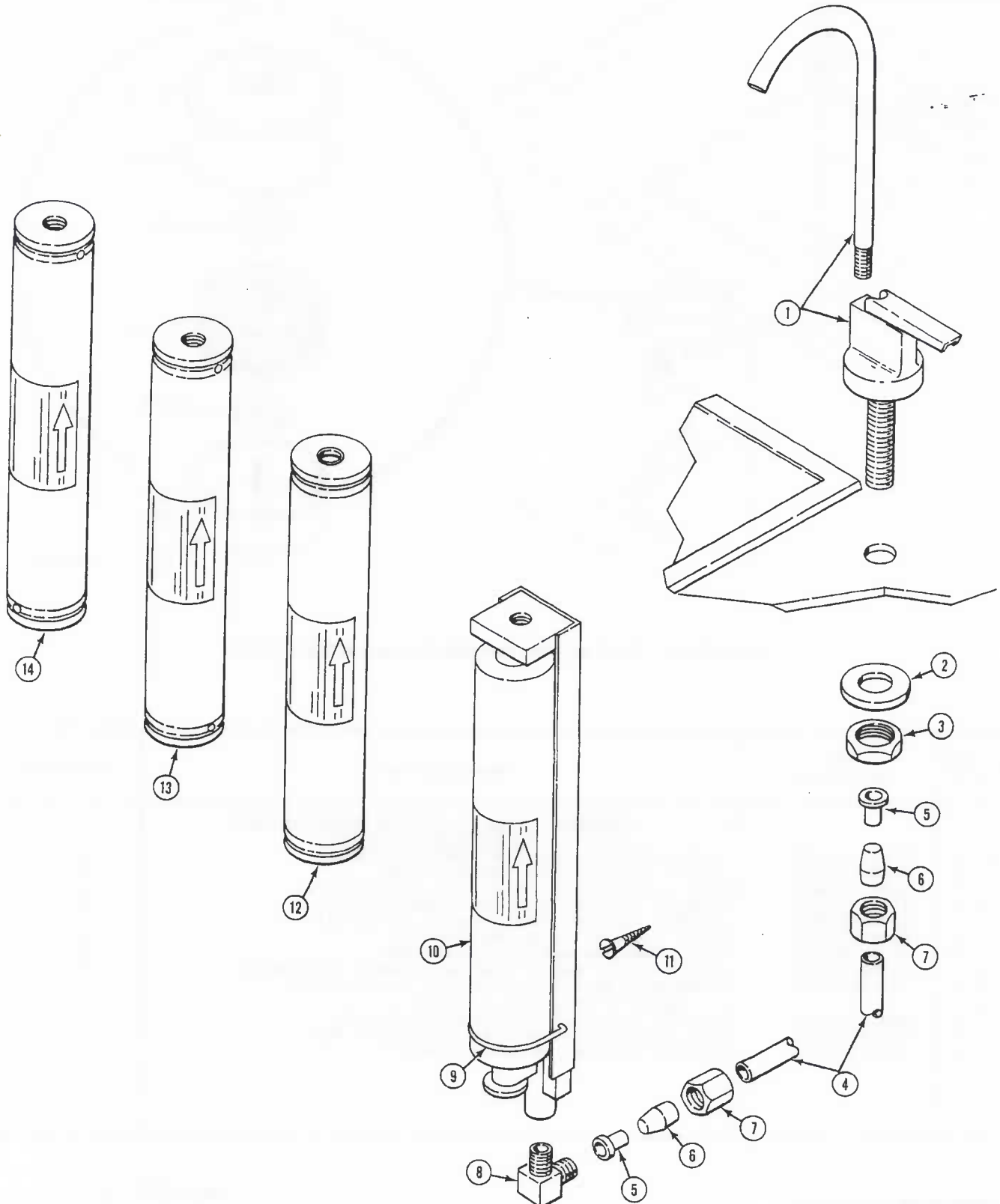


Figure 34-12. Water filter components

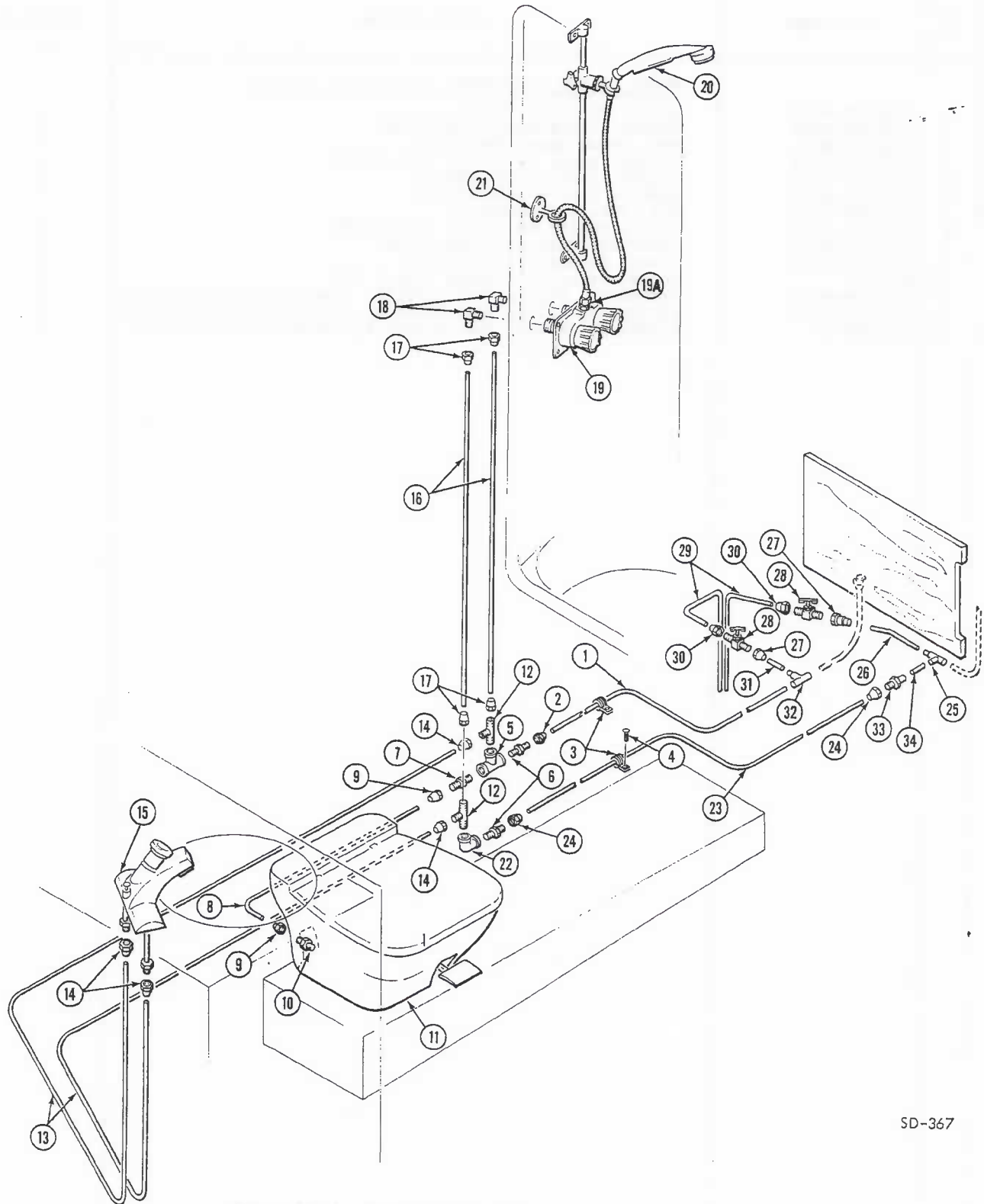
# REPAIR PARTS LIST

GROUP 34 Water System  
 MODEL 2900R

FIG NO.	ITEM NO.	PART NUMBER	ITEM DESCRIPTION	QTY PER UNIT
			<u>WATER FILTER COMPONENTS COACH 00251 AND UP</u>	
84-12	1	5101909-R002	SPOUT, Swing (DSC-0-3)	1
	2	5101909-R005	WASHER, Swing spout (DSC-V509)	1
	3	5101909-R006	NUT, Swing spout (DSC-V511)	1
	4	5101909-R007	TUBING, Spout to filter (DSC-PT504)	1
	5	5101909-R008	INSERT, Tubing (DSC-PT501)	2
	6	5101909-R009	SLEEVE, Tubing (DSC-PT502)	2
84-12	7	5101909-R010	NUT, Tubing (DSC-PT503)	2
	8	5101909-R011	ELBOW, Tubing to filter (DSC-PT505)	1
	9	5101909-R012	RETAINER, Cartridge (DSC-C104)	1
	10	5101909-R013	FRAME, Cartridge (DSC-C103)	1
	11	M14018	SCREW, Frame to plywood (#10 x 5/8)	2
	12	5101909-R001	CARTRIDGE, Filter (DSC-C168R11) (coaches 00251 to 00528)	1
	13	5106248-R001	CARTRIDGE, Filter (DSC-C168T/8) (coaches 00529 to 00627)	1
84-12	14	5106893-03	CARTRIDGE, Filter (DSC-C168TF/13) (coaches 00628 & up)	1

# REPAIR PARTS LIST

GROUP 34 Water System  
 MODEL 2900R



SD-367

Figure 34-13. Water Lines and Components - Shower and Vanity  
 (Coach 00001 to 00645)

# REPAIR PARTS LIST

GROUP 34 Water System  
MODEL 2900R

FIG NO.	ITEM NO.	PART NUMBER	ITEM DESCRIPTION	QTY PER UNIT	
<u>WATER LINES AND COMPONENTS - SHOWER AND VANITY</u>					
34-13	1	M24005	TUBE, Gate valve to toilet-shower tee	10 ft	
	2	M24073	NUT, Gate valve tube	1	
	3	M22069	CLAMP, Gate valve tube	2	
	4	M14017	SCREW, Gate valve clamp	2	
	5	M24179	TEE, Toilet-shower tubes	1	
	6	M24056	CONNECTOR, Tube to tee/elbow	2	
	7	M24056	CONNECTOR, Tee to toilet tube	1	
	8	M24013	TUBE, Tee to toilet	1	
	9	M24075	NUT, Tee to toilet tube	2	
	34-13	10	M24181	CONNECTOR, Toilet tube (at toilet)	1
		11	5100411-06	TOILET ASSY (TH 08430-W-GL) (coach 00151 and up, superseded 5100411-01) See Figure 34-14 for component parts of toilet assembly	1
		12	M24179	TEE, Shower-vanity tubing	2
		13	M24005	TUBE, Tee to vanity (hot and cold)	12 ft
		14	M24075	NUT, Tee to vanity tube	4
		15	5100264	FAUCET, Vanity (MDS-74600 w 3/8 flare) (coach 00001 to 00250) See Figure 34-15 for component parts of faucet	1
		5101776	FAUCET, Vanity (ABP 727SLH) (coach 00251 to 00891)	1	
		5107955	FAUCET, Vanity (ABP 727SBLH) (coach 00892 and up)	1	
	16	M24013	TUBE, Tee to shower faucet	8 ft	
	17	M24075	NUT, Shower faucet tube	4	
	18	M24196	ELBOW, Shower faucet tube	2	
	19	5100267	VALVE, Shower (AL-1050)	1	
	19A	5100267-R001	BREAKER, Shower valve vacuum (AL-4910)	1	
34-13	20	5100266	HEAD ASSY, Shower (AL-301PB) See Figure 34-16 for component parts of shower head assy	1	
	21	5100268	RING, Shower hose guide (AL-4950)	1	
	22	M24180	ELBOW, Shower-vanity tee (hot water)	1	
	23	M24005	TUBE, Shower-vanity elbow to heater tee (sup 5100329-64)	9 ft	
	24	M24073	NUT, Shower-vanity tube	2	
	25	M24194	TEE, Shower-vanity/water heater	1	
	26	M24005	TUBE, Shower-vanity/water heater tee to needle valve	3 ft	
	27	M24182	ADAPTER, Tube (at needle valve)	2	
	28	M24349	VALVE, Water system drain	2	
	29	M24014	TUBE, Water system drain	1 ft	
34-13	30	M24142	NUT, Drain valve tube	2	
	31	M24013	TUBE, Toilet-shower tee to drain valve	2 ft	
	32	M24194	TEE, Toilet-shower/drain valve	1	
	33	M24070	CONNECTOR, Shower-vanity tube	1	
	34	M24005	TUBE, Shower-vanity	2 ft	

# REPAIR PARTS LIST

GROUP 34 Water System  
 MODEL 2900R

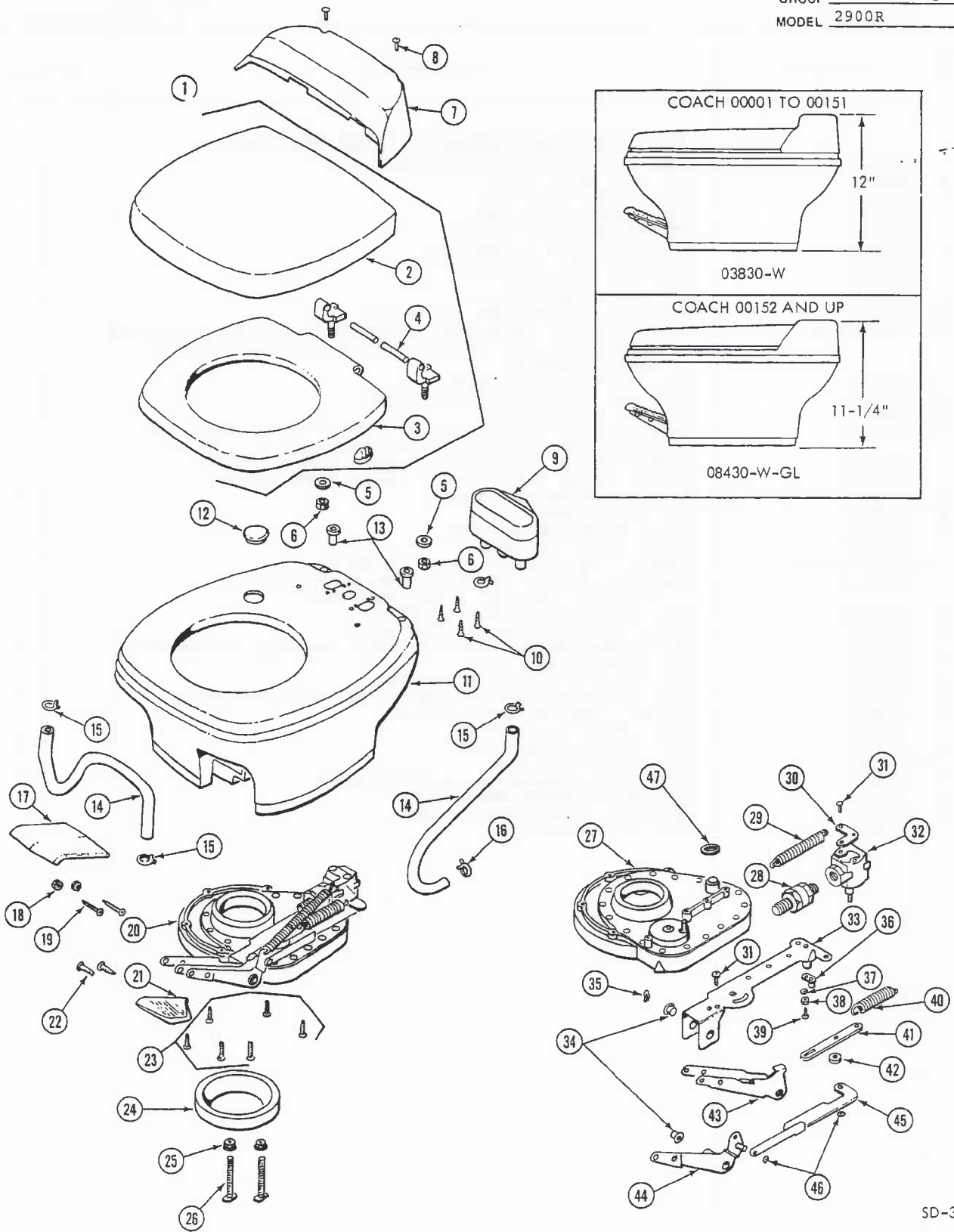


Figure 34-14. Toilet assembly (03830-W and 08430-W-GL).

SD-368

# REPAIR PARTS LIST

GROUP 34 Water System

MODEL 2900R

FIG NO.	ITEM NO.	RVD PART NUMBER	ITEM DESCRIPTION	QTY PER UNIT
			<u>COMPONENT PARTS OF TOILET ASSEMBLY (03830-W USED ON COACH 00001 TO 00150 AND 08430-W-GL USED ON COACH 00151 AND UP)</u>	
34-14	1	5100411-R004	SEAT AND COVER ASSY, Toilet Inc: seat, bumpers, hinge, and seat cover (TH-03692) (used on 03830-W)	1
	2	5100411-R045	COVER ASSY (TH-08598) (used on 08430-W-GL)	1
	3	5100411-R046	SEAT ASSY (TH-08487) (used on 08430-W-GL)	1
	4	5100411-R047	PIN, Seat and cover hinge (TH-08141-1) (used on 08430-W-GL)	2
	5	5100411-R006	WASHER, Seat assy attaching (TH-05190) (used on 03830-W)	2
	6	5100411-R007	NUT, Seat assy attaching (TH-02690) (used on 03830-W)	2
	7	5100411-R003	COVER, Toilet vacuum breaker (TH-03716) (used on 03830-W)	1
	8	5100411-R011	SCREW, Toilet breaker cover (TH-03925) (used on 03830-W)	2
34-14	9	5100411-R044	BREAKER, Toilet vacuum (TH-02525) (used on 03830-W)	1
	9	5100411-R048	BREAKER, Toilet vacuum (TH-08200) (used on 08430-W-GL)	1
	10	5100411-R010	SCREW, Toilet vacuum breaker to hopper (TH-03796) (used on 03830-W)	4
	10	5100411-R049	SCREW, Toilet vacuum breaker to hopper (TH-02694) (used on 08430-W-GL)	2
	11	5100411-R012	HOPPER, W/plug toilet (TH-05610) (used on 03830-W)	1
	11	5100411-R050	HOPPER, W/plug toilet (TH-08554) (used on 08430-W-GL)	1
	12	5100411-R013	PLUG, Toilet hopper (TH-03895)	1
	13	5100411-R014	NUT, Toilet hopper well (TH-03225) (used on 03830-W)	2
	14	5100411-R015	TUBE, Toilet hopper 20" (TH-03729) (used on 03830-W)	2
	14	5100411-R015	TUBE, Toilet hopper 20" (TH-03729) (used on 08430-W-GL)	1
	14	5100411-R051	TUBE, Flush 14" (TH-03728) (used on 08430-W-GL)	1
34-14	15	5100411-R009	CLAMP, Toilet hopper tube (TH-02504) (used on 03830-W)	2
	16	5100411-R016	CLAMP, Toilet hopper tube (TH-03752) (used on 03830-W)	3
	16	5100411-R016	CLAMP, Toilet hopper and flush tube (TH-03752) (used on 08430-W-GL)	5
	17	5100411-R017	PEDAL, Main flush (TH-03635)	1
	18	5100411-R018	NUT, Main flush pedal (TH-02020)	2
	19	5100411-R019	SCREW, Main flush pedal (TH-03648)	2
	20	5100411-R005	MECHANISM ASSY, Toilet (TH-03626) (used on 03830-W)	1
		5100411-R052	MECHANISM ASSY, Toilet (TH-08331) (used on 08430-W-GL)	1
	21	5100411-R020	PEDAL, Spray (TH-03636)	1
	22	5100411-R021	SCREW, Spray pedal (TH-01663)	2
34-14	23	5100411-R022	SCREW, Mechanism to hopper (TH-03994)	6
	24	5100411-R023	SEAL, Mechanism flange (TH-02125)	1
	25	5100411-R055	BOLT & NUT, Seal (TH-05000)	2
	26			
	27	5100411-R026	BASE AND COVER ASSY, Toilet mechanism (TH-05613)	1
	28	5100411-R027	VALVE, Mechanism check (TH-02600) (used on 03830-W)	1
	29	5100411-R028	SPRING, Mechanism (TH-02802)	1
	30	5100411-R029	RETAINER, Mechanism spring (TH-02795) (used on 03830-W)	1
	31	5100411-R030	SCREW, Mechanism spring retainer and plate (TH-02388) (used on 03830-W)	6
	31	5100411-R030	SCREW, Lever plate assy (TH-02388) (used on 08430-W-GL)	4
34-14	32	5100411-R001	VALVE ASSY, Mechanism ball (TH-02777) (used on 03830-W)	1
	32	5100411-R053	VALVE ASSY, Mechanism ball (TH-08215) (used on 08430-W-GL)	1
	33	5100411-R031	PLATE ASSY, Mechanism lever (TH-05044)	1
	34	5100411-R032	BUSHING-MECHANISM PLATE AND PEDAL ARM (TH-03749)	2
	35	5100411-R033	COTTER-MECHANISM PLATE (TH-03765)	1
	36	5100411-R034	ARM-MECHANISM PLATE BALL DRIVE (TH-02391)	1
	37	5100411-R035	WASHER-MECHANISM DRIVE ARM (TH-02792)	1
	38	5100411-R018	NUT-MECHANISM DRIVE ARM (TH-02020)	1
	39	5100411-R036	SCREW-MECHANISM DRIVE ARM (TH-01754)	2
	40	5100411-R037	SPRING-MECHANISM DRIVE ARM (TH-02801)	1
34-14	41	5100411-R038	LINK-MECHANISM DRIVE ARM (TH-02390)	1
	42	5100411-R039	SPACER-MECHANISM DRIVE ARM (TH-02211) (used on 03830-W)	1
	43	5100411-R040	ARM-MECHANISM MAIN PEDAL (TH-03603)	1
	44	5100411-R041	ARM-MECHANISM SPRAY PEDAL (TH-05043)	1
	45	5100411-R042	ARM-MECHANISM PEDAL DRIVE (TH-02796)	1
	46	5100411-R043	RING-MECHANISM PEDAL DRIVE ARM (TH-02394) (used on 03830-W)	2
	46	5100411-R043	RING-MECHANISM PEDAL DRIVE ARM (TH-02394) (used on 08430-W-GL)	1
	47	5100411-R054	RETAINER (TH-08034) (used on 08430-W-GL)	1



FMC Corporation  
Motor Coach Division  
333 Brookway Road Box 664 Santa Clara California 95052

ISSUED 4/73

REVISED C4, 9/76

# REPAIR PARTS LIST

GROUP 34 Water System  
MODEL 2900R

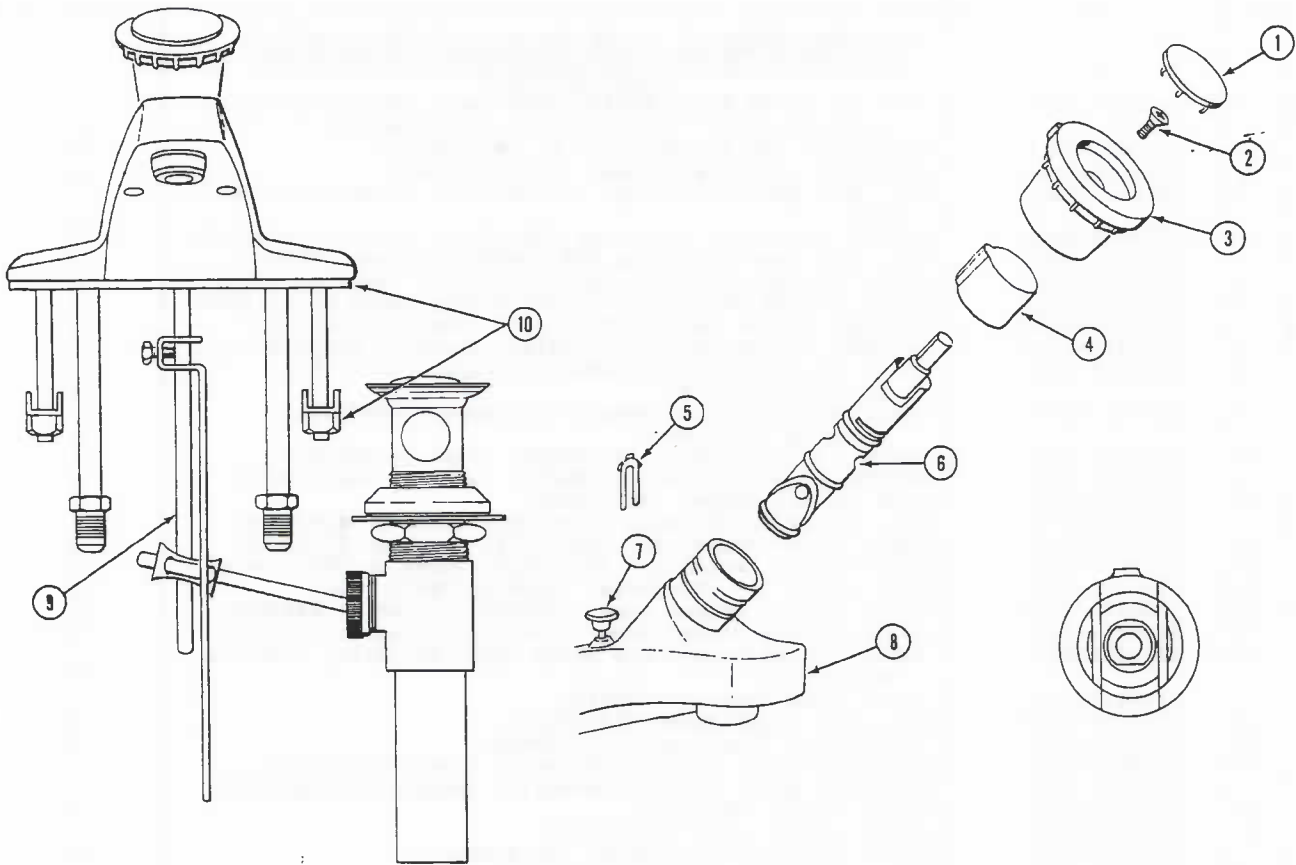


Figure 34-15. Vanity faucet assembly (coach 00001 to 00250)

SD-181

FIG NO.	ITEM NO.	RVD PART NUMBER	ITEM DESCRIPTION	QTY PER UNIT
34-15	1	5100264-R001	<u>COMPONENT PARTS OF 5100264 VANITY FAUCET</u> <u>(COACH 00001 TO 00250)</u> COVER, Vanity handle (MDS-1206)	1
	2	5100264-R002	SCREW, Vanity handle (MDS-1233)	1
	3	5100264-R003	KNOB, Vanity handle (MDS-1245)	1
	4	5100264-R004	TUBE, Vanity handle stop (MDS-1207)	1
	5	5100264-R005	CLIP, Vanity handle cartridge retainer (MDS-883)	1
	6	5100263-R007	CARTRIDGE, Vanity handle (MDS-1200)	1
	7	5100264-R006	ROD, Vanity waste lift (MDS-10723)	1
	8	5100264-R007	AERATOR, Vanity faucet (MDS-1208)	1
	9	5100264-R008	WASTE LINKAGE, Vanity faucet (MDS-10790)	1
	10	5100264-R009	PACKAGE, Vanity faucet attaching hardware (MDS-10169)	1

# REPAIR PARTS LIST

GROUP 34 Water System  
 MODEL 2900R

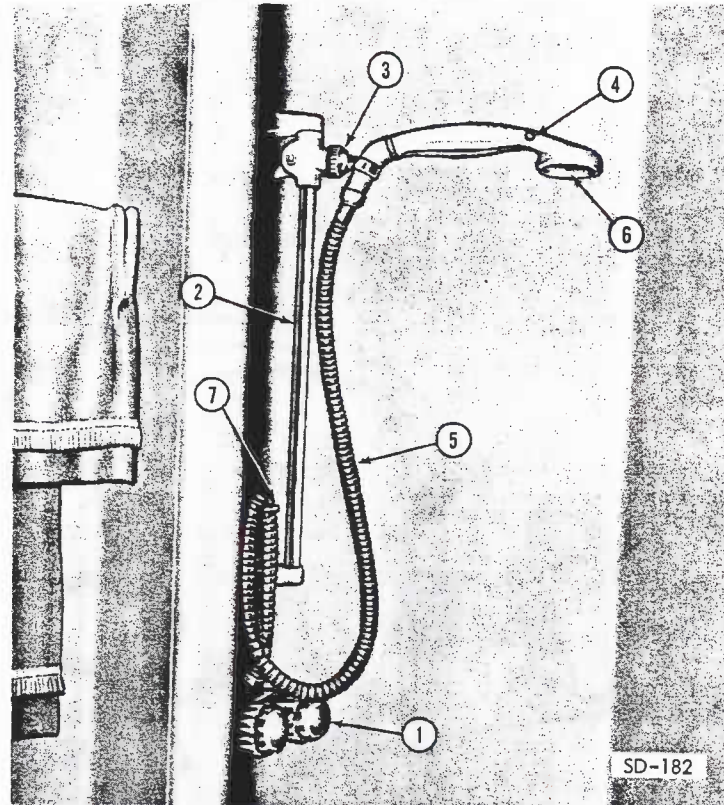


Figure 34-16. Shower Assembly (Coach 00001 to 00974)

FIG NO.	ITEM NO.	RVD PART NUMBER	ITEM DESCRIPTION	QTY PER UNIT
34-16	1	5100267 5100266	<u>COMPONENT PARTS OF 5100266 SHOWER HEAD ASSY</u> VALVE, Shower control (AL-1050) SHOWER ASSEMBLY KIT, (AL-301PB) (includes the following 7 items)	1
	2	5100266-R001	BAR ASSEMBLY, w/brackets and slide (AL-3011)	1
	3	5100266-R002	ELBOW, Hand shower (AL-3012)	1
	4	5100266-R003	SHOWER, Hand w/push button (AL-461NPB)	1
	5	5100266-R004	HOSE, W/gaskets, hand shower to valve chrome (AL-495-40)	1
		5100266-R005	GASKET, Shower hose (AL-4951)	2
	6	5100266-R006	DISC, Hand shower spray (AL-4611 stainless steel)	1
		5100266-R007	GASKET, Shower disc (AL-4952)	1
	7	5100268	RING, Hose guide chrome (AL-4950)	1

# REPAIR PARTS LIST

GROUP 34 Water System  
 MODEL 2900R

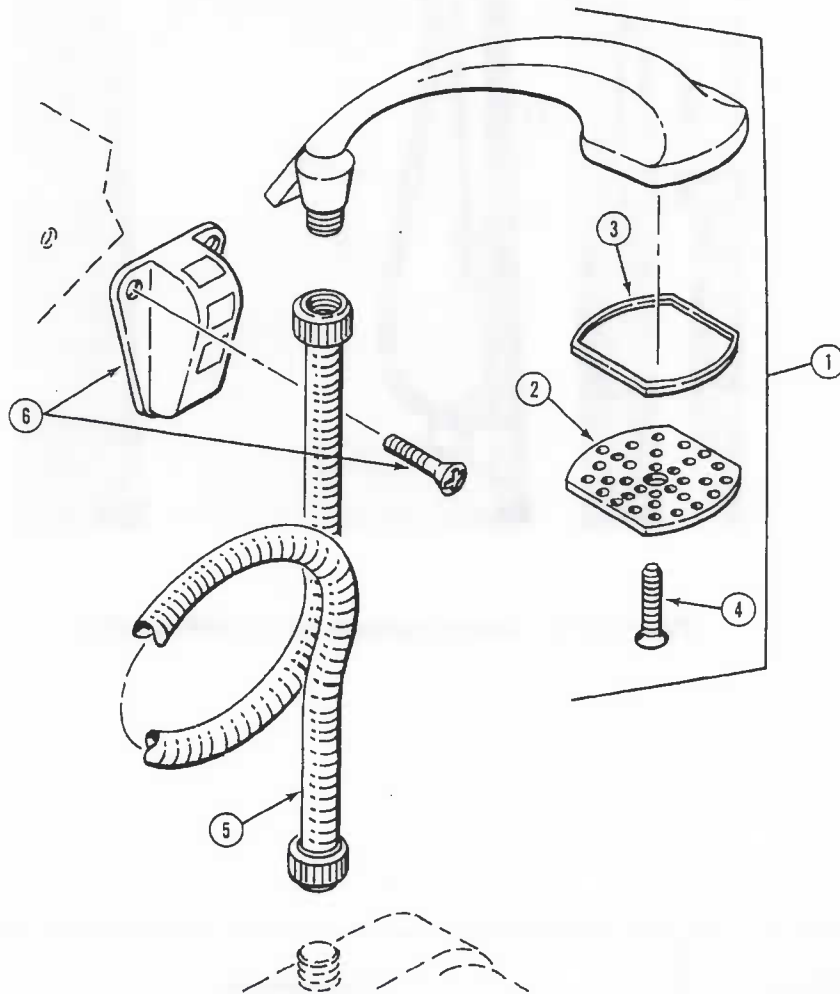


Figure 34-16.1. Shower Head Assembly - (Coach 00975 & Up)

FIG NO.	ITEM NO.	PART NUMBER	ITEM DESCRIPTION	QTY PER UNIT
34-16.1	1	5108834-R001	<u>SHOWER HEAD ASSY COACH 00975 AND UP</u> HEAD (JA-1025)	1
	2	5108834-R004	COVER-CHROME	1
	3	5108834-R005	GASKET, COVER	1
	4	5108834-R006	SCREW, COVER	1
	5	5108834-R002	HOSE, Head to faucet (JA-CH3040)	1
	6	5108834-R003	BRACKET, Hose (JA-WFL8005)	1