

Group 39 110/12 Volt Electrical System

GENERAL: This group contains information on the wiring system from the domestic panel through all lights, switches, lamps, etc. used for domestic equipment.

SPECIFICS: As applicable

- ...AC-DC Converter
- ...Circuit Breakers
- ...Domestic Batteries
- ...Domestic Panel and Gauges
- ...Fuses
- ...Reading Lights
- ...Relays
- ...Service Line and Contactor Box
- ...Sockets
- ...Switches
- ...12 Volt Wiring
- ...110 Volt Wiring



REPAIR PARTS LIST

GROUP 39
MODEL 2900R

FIG NO.	ITEM NO.	PART NUMBER	ITEM DESCRIPTION	QTY PER UNIT
39-1	1	M16061	CABLE, Load center to receptacles and converter (12 gage, 2 conductor, black, white, bare)	200 ft
		M22062	CLAMP, Cable (at passenger door)	2
		M22060	CLAMP, Wire to frame	7
		M20030	GROMMET, Wire to frame	40
		M15047	TY-RAP, Wire to wire and wire to frame	20
		M25077	RIVET, Cable clamp and outlet box to frame	47
	2	M16062	CABLE, Circuit breaker box to load center box (10 gauge, 3 conductor, red, black, white, green)	20 ft
		M22068	CLAMP, Cable to engine compartment	13
	3	5101242	CLIP, Cable support (coach 00001 to 00300)	40
	4	5100495-01	LINE, Camp power to coach service (50 amp)	1
		M15136	TERMINAL, Service line to contactor box	1
	5	5101878	CABLE ASSEMBLY, APU to contactor box	1
	6	M15049	NUT, Cable to APU wire	1
	7	M15020	TERMINAL, Cable eye	2
	8	M15134	CONDUIT, Cable	1 ft
	9	M15135	FITTING, Cable end	2
	39-1	10	5101650	BRACKET, Service line holding
		5101651	STRAP, Service line holding	1
11		M18061	BOLT, Bracket to APU (1/4-20 x 1/2)	2
12		M17024	LOCKWASHER, Bracket bolt (1/4)	2
			NOTE: For APU ground and starter cables see Group 4.	
13		5101877-R001	BOX ASSY: 110V power control (see Fig. 39-2)	1
14		M18021	BOLT, Box attaching (1/4-20 x 1)	4
15		M17061	NUT, Box attaching (1/4-20)	4
16		5101033-R020	BOX ASSY, Circuit breaker (see Fig. 39-3)	1
		5101891-30	BRACKET, Breaker box to upper bedroom cabinet. (coach 00350 to 00385)	1
	M14017	SCREW, Breaker box to bracket (#10 x 1/2)	4	
	5101973	BRACKET, Breaker box to upper hull (welded) (coach 00386 and up)	1	
		<u>ACCESSORY OUTLET</u>		
39-1	17	5101556	BOX, Accessory outlet (in ski compartment or bedroom)	1
	18	5101041	CONNECTOR, Wire	1
	19	5101039	CONNECTOR, Wire	3
	20	5100209	WIRE, Receptacle ground (BO 12-1 PT)	1
	21	5100381	RECEPTACLE, Accessory outlet (LEC 5247-4-1, ivory)	1
22	5100382	PLATE, Accessory outlet wall (LEC 86303, ivory)	1	
		<u>BEDROOM OUTLET</u>		
39-1	23	5100211	BOX, Bedroom outlet	2
	24	5100212	COVER, Bedroom outlet flat (BO 400)	2
	25	5100213	COVER, Bedroom outlet receptacle (BO 403-F)	2
	26	5100209	WIRE, Receptacle ground (BO 12-1 PT)	2
	27	5100381	RECEPTACLE, Rear bedroom (LEC 5247-4-1, ivory)	2
	28	5101041	CONNECTOR, Wire	4
	29	5101039	CONNECTOR, Wire	6
	30	M25038	RIVET	4
	31	5101947	SPACER, Receptacle	2
	32	5100382	PLATE, Rear bedroom receptacle wall (LEC 86303, ivory)	2
		<u>DINETTE OUTLET</u>		
39-1	33	5100211	BOX, Dinette outlet	1
	34	5100212	COVER, Dinette outlet flat (BO 400)	1
	35	5100213	COVER, Dinette outlet receptacle (BO 403-F)	1
	36	5100381	RECEPTACLE, Dinette outlet (LEC 5247-4-1, ivory)	1
	37	5101041	CONNECTOR, Wire	1
	38	M20030	GROMMET, Wire (replaces 5101040)	1
	39	M25038	RIVET	2
	40	M25050	RIVET	2
	41	5101947	SPACER, Receptacle	2
	42	5100382	PLATE, Receptacle wall (LEC 86303, ivory)	1
	43	5100211	BOX, Bath-vanity outlet	1
	44	5100212	COVER, Bath-vanity outlet flat (BO-400)	1

REPAIR PARTS LIST

39 110/12 Volt
Electrical
System

GROUP _____
MODEL 2900R _____

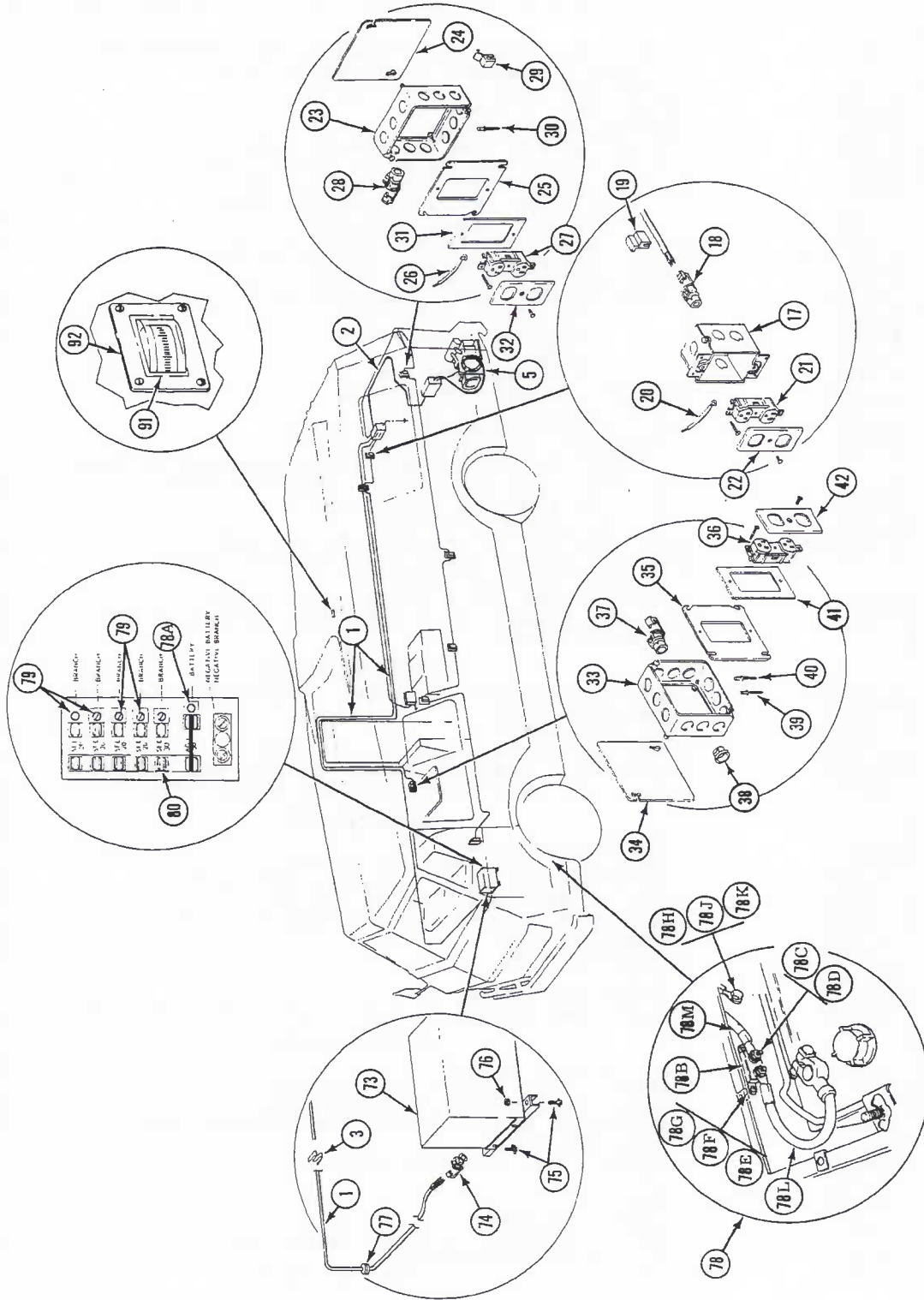


Figure 39-1. Electrical system - 110 volt domestic (1 of 2)

REPAIR PARTS LIST

39 110/12 Volt
Electrical
System
GROUP _____
MODEL 2900R _____

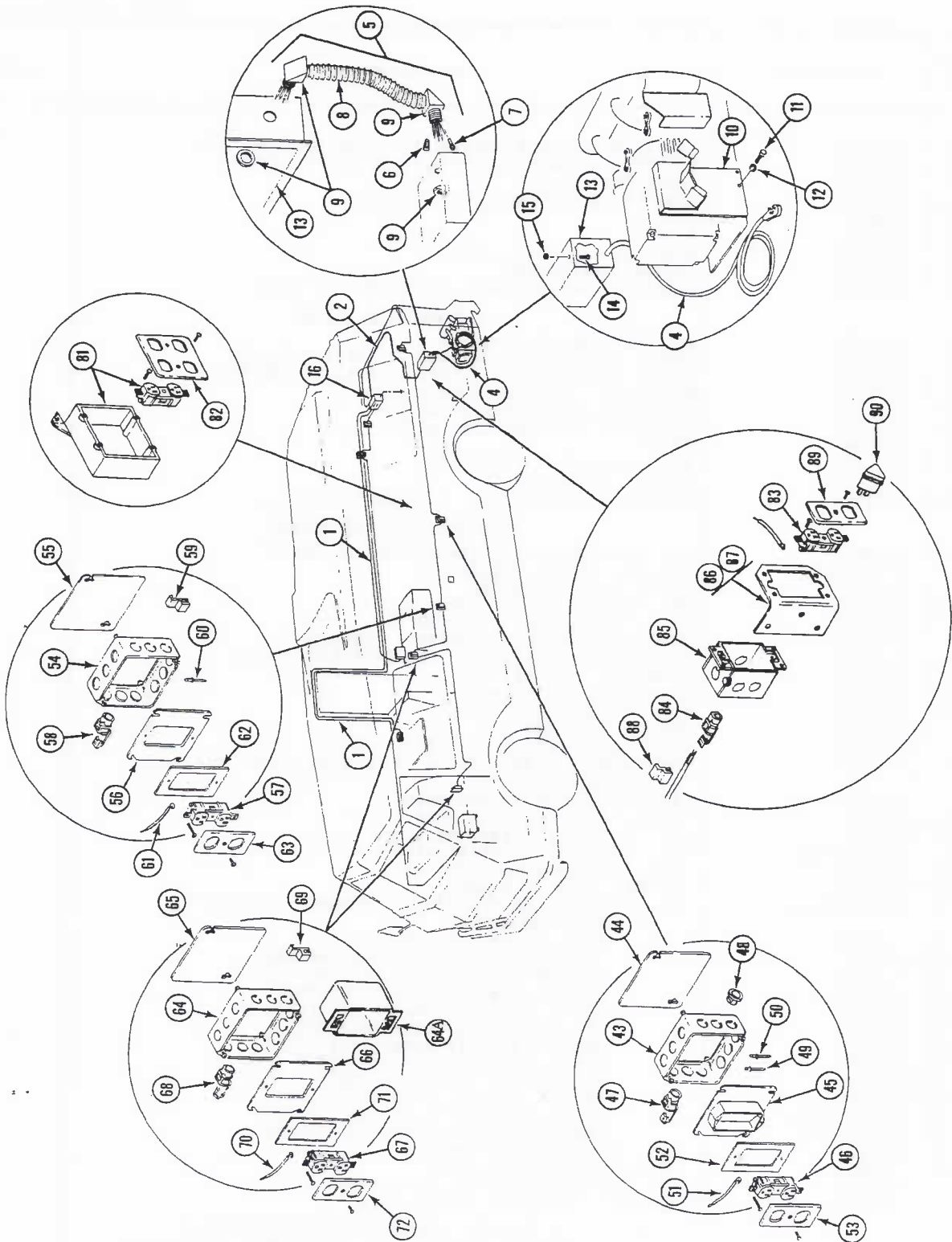


Figure 39-1. Electrical system - 110 volt domestic (2 of 2)

REPAIR PARTS LIST

GROUP 39
MODEL 2900R

FIG NO.	ITEM NO.	PART NUMBER	ITEM DESCRIPTION	QTY PER UNIT	
39-1	45	5100215	COVER, Bath-vanity outlet receptacle (BO-405-A)	1	
	46	5100381	RECEPTACLE, Bath-vanity (LEC-5247-4-1, ivory)	1	
	47	5101041	CONNECTOR, Wire	2	
	48	M20030	GROMMET, Wire (replaces 5101040)	2	
	49	M25038	RIVET	2	
	50	M25050	RIVET	2	
	51	5100209	WIRE, Ground (BO-12-1PT)	1	
	52	5101947	SPACER, Receptacle	1	
	53	5100382	PLATE, Receptacle wall (LEC-86303) (ivory)	1	
	<u>REFRIGERATOR OUTLET</u>				
		54	5100211	BOX, Refrigerator outlet	1
		55	5100212	COVER, Refrigerator outlet box flat (BO-400)	1
		56	5100213	COVER, Refrigerator outlet receptacle (BO-403F)	1
	57	5100381	RECEPTACLE, Refrigerator outlet	1	
	58	5101041	CONNECTOR, Refrigerator outlet	2	
	59	5101039	CONNECTOR, Refrigerator outlet	3	
39-1	60	M25038	RIVET	2	
	61	5100209	WIRE, Ground (BO-12-1 PT)	1	
	62	5101947	SPACER, Receptacle	1	
	63	5100382	PLATE, Receptacle wall (LEC-86303, ivory)	1	
<u>KITCHEN & DRIVER OUTLET</u>					
	64	5100211	BOX, Driver outlet (coach 00001 to 00100)	1	
		5100391-02	BRACKET, Driver outlet box	1	
		M25038	RIVET, Bracket to box	4	
	64A	5100384	BOX, Kitchen outlet (Phenolic)	1	
	65	5100212	COVER, Outlet box flat (BO-400)	2	
	66	5100213	COVER, Outlet box receptacle (BO-403-F)	2	
	67	5100381	RECEPTACLE, Outlet box (LEC-5247-4-1, ivory)	2	
	68	5101041	CONNECTOR, Outlet box	4	
	69	5101039	CONNECTOR, Outlet box	6	
39-1	70	5100209	WIRE, Ground (BO-12-1 PT)	2	
	71	5101947	SPACER, Receptacle	2	
	72	5100382	RECEPTACLE, Wall (LEC-86303, ivory)	2	
	73	5100496	CONVERTER, 112 volt AC to 12 volt DC (under passenger seat) (LPP-TU-345)	1	
	74	5101041	CONNECTOR, Wire to converter	2	
	75	M18021	SCREW, Converter attaching	4	
	76	M17051	NUT, Converter attaching screw	4	
	76	5101024-29	NUT, Converter mounting weld	4	
	76	M18106	STUD, Converter mounting weld	4	
	77	M20014	GROMMET, Wire to frame	2	
	78	5106857-R001	KIT, Domestic battery circuit breaker (see service bulletin 2939-40002)	1	
	78A	5106857	LINK, Current conducting	1	
	78B	M15258	CIRCUIT BREAKER, Battery (40-amp)	1	
	78C	M17172	NUT, Circuit breaker (#10-32 brass)	2	
	78D	M17171	WASHER, Stud lock (#10 internal)	2	
	78E	M14251	SCREW, Circuit breaker (#10-24 x 1)	2	
	78F	M17052	NUT, Circuit breaker (#10-24)	2	
	78G	M17047	WASHER, Breaker screw lock (#10)	2	
	78H	M18061	SCREW, Ground cable (1/4-20 x 1/2)	1	
	78J	M17040	NUT, Ground screw (1/4-20)	1	
	78K	M17144	WASHER, Ground screw lock (1/4)	1	
	78L	5106858-01	CABLE, Battery to circuit breaker	1	
	78M	5106858-02	CABLE, Circuit breaker to ground	1	
	79	M15035	FUSE, Converter (20 amp)	4	
39-1	80	M14037	FUSE, Converter (30 amp)	1	
		M16196	WIRE, Converter ground (#8 white)	1 ft	
		M15024	TERMINAL, Converter ground wire	1	
			NOTE: For harness converter to equalizer and domestic battery see Figure 39-4 or Group 4.	1	

REPAIR PARTS LIST

GROUP 39
MODEL 2900R

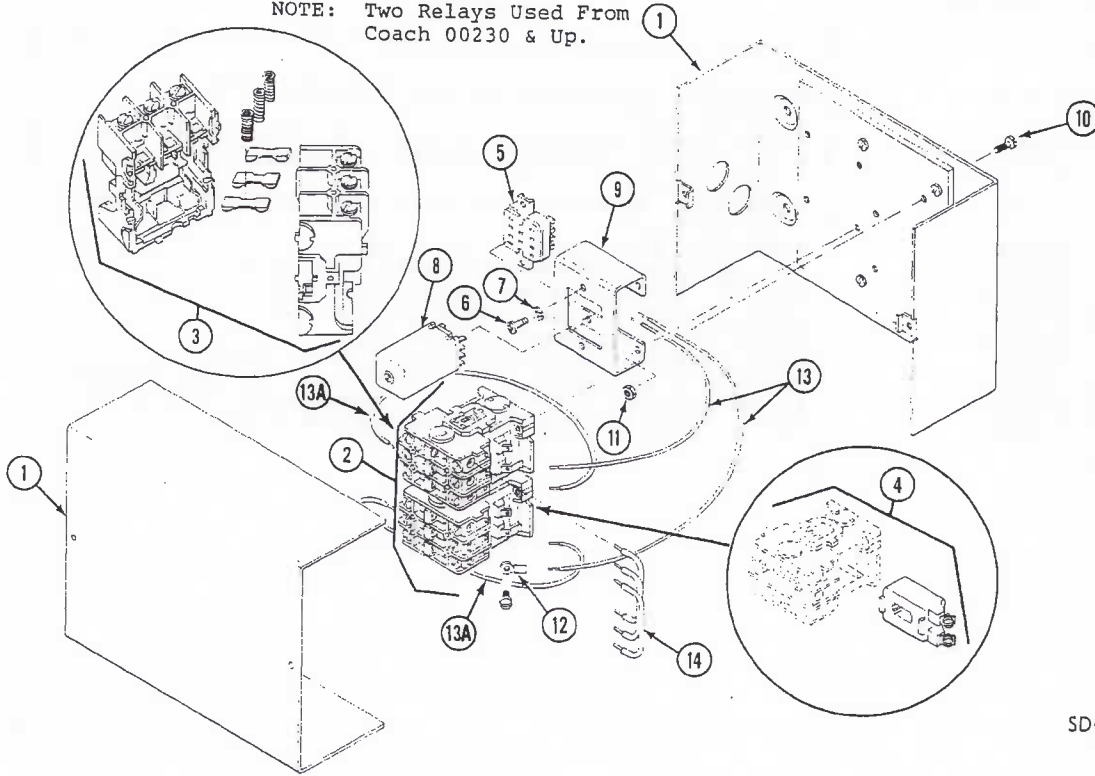
FIG NO.	ITEM NO.	PART NUMBER	ITEM DESCRIPTION	QTY PER UNIT	
39-1	81	5108701	RECEPTACLE, Double--at wet bar (Phenolic) ("M" only--00646 & up)	1	
	82	5108702	PLATE, Double receptacle (ivory) ("M" only--00646 & up)	1	
	82	5108727	PLATE, Double receptacle (satin stainless) ("M" only--00646 & up)	1	
	83	5100381	RECEPTACLE, Barbeque (rear left side above APU) (coach 01000 & up)	1	
	84	5101041	CONNECTOR, Wire (coach 01000 & up)	1	
	85	5101556	BOX, Receptacle--barbeque (coach 01000 & up)	1	
	86	5109076	BRACKET, Receptacle box (coach 01000 & up)	1	
	87	M25046	RIVET, Receptacle box (coach 01000 & up)	2	
	88	5101039	CONNECTOR, Wire (coach 01000 & up)	1	
	89	5108886	COVER, Barbeque receptacle (coach 01000 & up)	1	
	39-1	90	5108810	MONITOR, Ground test (coach 01000 & up) (WT-122-1931150)	1
		91	5108806	VOLTMETER, APU--mounted above closet (coach 01000 & up)	1
		92	5108996	PLATE, Voltmeter mounting (coach 01000 & up)	1

REPAIR PARTS LIST

39 110/12 Volt
Electrical
System

GROUP _____
MODEL 2900R

NOTE: Two Relays Used From
Coach 00230 & Up.



SD-352

Figure 39-2. 110V Power Control Box Assembly

FIG NO.	ITEM NO.	PART NUMBER	ITEM DESCRIPTION	QTY PER UNIT	
39-2		5101877-R001	BOX ASSY, 110V power control component parts of:	1	
	1	5101767-R001	BOX W/COVER, Enclosure (RC NEMA Type 1, 9 x 11 x 15)	1	
	2	5101767-R002	CONTRACTOR ASSY, Six pole-mechanically interlocked in sets of three (RC 2200R-EBR430AA)	1	
	3	5101767-R003	KIT, Contactor repair (includes mouldings, contacts & springs) (RC 2090-EB430)	2	
	4	5101767-R004	COIL, Contactor (110-120V, 50/60 Hz) (RC 2090-70DA)	2	
	5	5100513	SOCKET, Power control box relay (HAR WPS-C1)	2	
	6	M14227	SCREW, Power control box relay socket (#8-32 x 1/2)	4	
	7	M17051	WASHER, Power control relay socket screw (#8 split)	4	
	8	5100512	RELAY, Power control box (HAR WU115A3-099)	2	
	9	5100885	BRACKET, Power control box	2	
	39-2	10	M14252	SCREW, Power control box relay bracket (#10-32 x 1/2)	8
		11	M17086	NUT, Power control box bracket screw (#10-32 locking)	8
		12	M15017	TERMINAL, Contactor to relay socket wire	4
		13	M16010	WIRE, Contactor to relay socket	2 ft
13A		M16008	WIRE, Contactor to relay socket	2 ft	
	14	M16062	WIRE, Contactor jumper	2 ft	

REPAIR PARTS LIST

39 110/12 Volt
Electrical
System

GROUP _____
MODEL 2900R

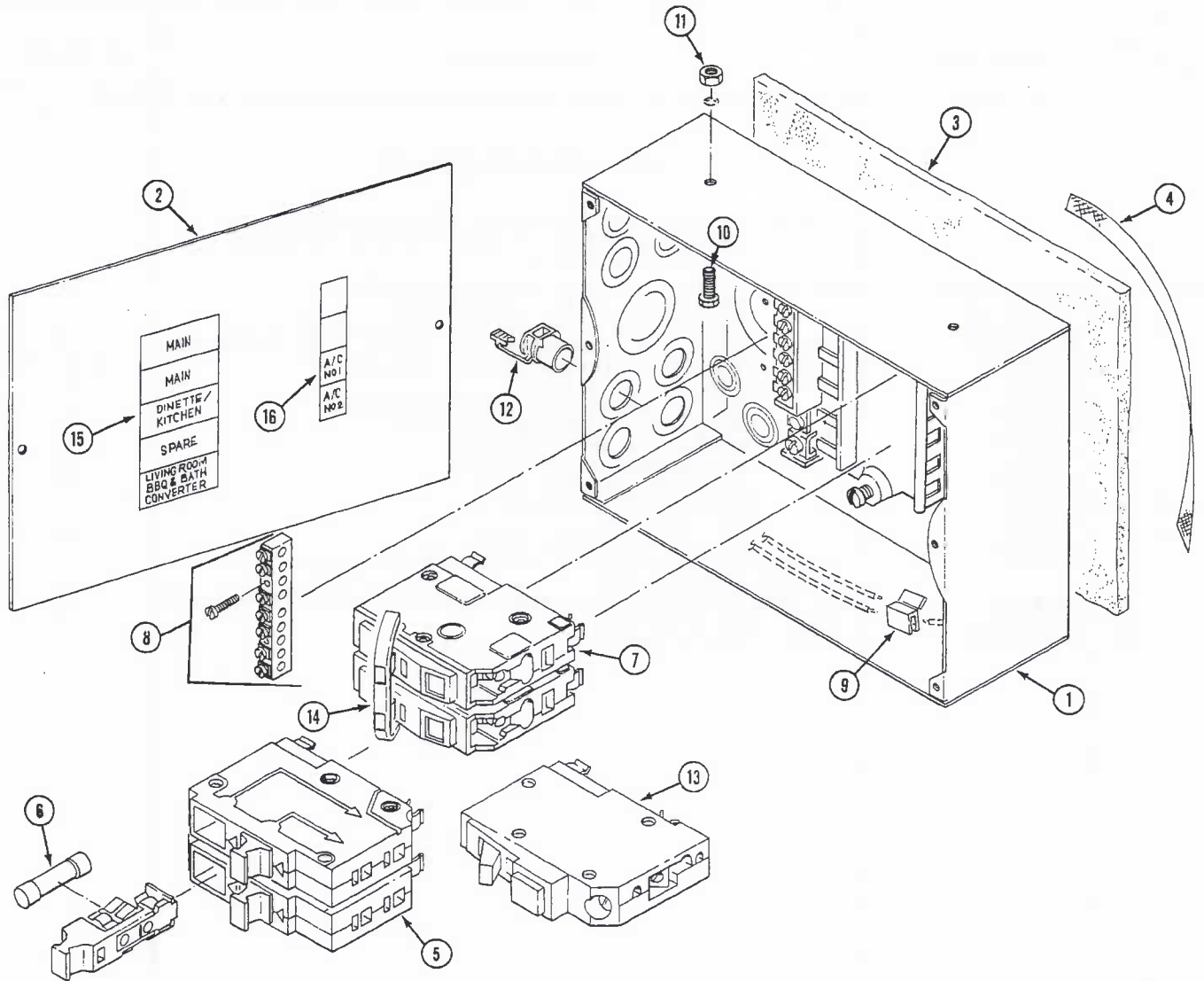


Figure 39-3. Circuit Breaker Box Assembly

REPAIR PARTS LIST

GROUP 39
MODEL 2900R

FIG NO.	ITEM NO.	PART NUMBER	ITEM DESCRIPTION	QTY PER UNIT
			<u>110V CIRCUIT BREAKER BOX</u>	
			NOTE: Breaker box located in ski compartment, coach 00001 to 00350; in upper bedroom cabinetry, coach 00351 and up.	
39-3		5101033-R020	BOX ASSY, Circuit breaker (component parts	1
	1	5101033-01	BOX Circuit breaker (SD-104449)	1
		5101033-02	COVER, Circuit breaker box (coach 00351 & up)	1
	2	5101033-03	COVER, Circuit breaker box (coach 00001 to 00350)	1
	3	M22022	INSULATION, Breaker box (1 inch thick)	2 sq ft
	4	M19029	TAPE, Box insulation	5 ft
	5	5101910	BREAKER, 20 amp fusible (SD-QF2020)	2
	6	5101911	FUSE, Circuit breaker (BU-SC20)	4
	7	5100509	BREAKER, 30 amp (SD-Q0130)	2
	8	5100511	BAR, Grounding (SD-PK7GTA)	1
	9	5101039	CONNECTOR, Breaker wire	4
39-3	10	M14252	SCREW (#10-32 x 1/2)	2
	11	M17086	NUT (#10-32)	2
	12	5101041	CONNECTOR, Breaker wire	6
	13	5108322	INTERRUPTER, Ground fault (SD-Q0-120 GFI Marked "R") (coach 00850 & up)	1
	14	5109171	TIE BAR, Circuit breaker mains (SD-IHT) (coach 01000 & up)	1
	15	5100872-12	LABEL, Circuit breaker	1
	16	5100872-13	LABEL, Circuit breaker	1



FMC Corporation
Motor Coach Division
333 Brookaw Road Box 664 Santa Clara California 95052

ISSUED 5/73
REVISED C4,9/76

REPAIR PARTS LIST

GROUP 39
MODEL 2900R

FIG NO.	ITEM NO.	PART NUMBER	ITEM DESCRIPTION	QTY PER UNIT	
			<u>12 VOLT SYSTEM</u>		
39-4	1	5101798	BATTERY, Domestic (6-volt, 220 amp; GO-PB 220 Group GC-2) (Sup 5101296)	2	
	2	5101799	BRACKET, Battery hold down (WH-3233) (Sup 5101178)	2	
	3	5101179	BOLT, Battery hold down (WH-3226)	4	
	4	M17039	NUT, Battery hold down bolt (5/16-18)	4	
	4A	5101830	COVER ASSY, Battery floor (BI-blue, GR-green, RU-rust)	1	
	4B	5101827	PAD AND SEAL, Battery cover to floor	1	
	4C	5101829	LATCH, Batterh cover	1	
	4D	5101828	ESCUTCHEON, Battery cover latch	1	
	4E	M25044	RIVET, Latch attaching	4	
	4F	M14202	SCREW, Escutcheon attaching	2	
	4G	M17081	WASHER, Escutcheon screw	4	
	4H	M25029	RIVET, Cover attaching	6	
			NOTE: For carpeting see Group 33.		
		5	5101425	CABLE, Domestic battery to equalizer and converter	1
			M15023	TERMINAL, Cable at equalizer	1
			5100051	TERMINAL, Cable at battery (DEL-90608)	1
		6	5101782-02	CABLE, Domestic battery ground braided (Sup 5101357-07)	1
		7	5101357-08	CABLE, Domestic battery jumper	1
		8	5101371	TERMINAL, Battery jumper cable	2
		8A	M15035	FUSE, Refrigerator circuit (20 amp)	1
	9	5100751	HARNESS, Converter to kitchen and furnace connection (left side of coach; see Fig. 39-5)	1	
		M22062	CLAMP, Harness attaching (under sink)	1	
		M25195	STAPLE, Harness attaching plastic (under sink)	1	
		M24015	TUBING, Harness 12V and 110V separator (1 1/4"-at converter)	5 ft	
39-4	10	5100653	HARNESS, Converter to upper lights and fixtures (see Fig. 39-6)	1	
	11	5100595	HARNESS, Converter to upper lights and fixtures (right side of chach) (coach 00001 to 00350) (see Fig. 39-7)	1	
			M25139	SLEEVING, Wire harness (in upper cabinet)	8 ft
			M25088	STAPLE, Wire harness attaching (in upper cabinet)	18
			5106037	HARNESS, Converter to upper lights and fixtures (right side of coach) (coach 00351 to 00677) (see Fig. 39-10)	1
		11	5107223	HARNESS, Converter to upper lights and fixtures (coach 00678 & up) (see Fig. 39-10.1)	1
		11A	5106038	HARNESS, Converter harness to right front speaker and spot swivel (coach 00351 & up) (see Fig. 39-11)	1
		11B	5106039	HARNESS, Converter harness to left front speaker (coach 00351 & up) (see Fig. 39-11)	1
		11C	5106040	HARNESS, Converter harness to bedroom lights (coach 00351 & up) (see Fig. 39-12)	1
		11D	5106041	HARNESS, Rear speakers and volume control (coach 00351 & up) (see Fig. 39-13)	1
		12	5101061	HARNESS, Domestic panel to rear of coach (see Fig. 39-8)	1
		12A	5107846	HARNESS, APU (see Fig. 39-8.1)	1
		13	5100480	NUT & SCREW ASSY, Drainage tank sensor level	6
		14	M16010	WIRE, Tank sensor ground	4 ft
		15	M15015	TERMINAL, Tank ground wire	2
		16	5101164	HARNESS, Domestic panel to aft harness (coach 00001 to 00645) (see Fig. 39-9)	1
		16	5107617	HARNESS, Domestic panel to aft harness (coach 00646 & up) (see Fig. 39-9.1)	1
		17	M15138	LIGHT, Front and rear hall w/ground lead (DI 12-022) (Sup 5100377-R001)	2
		5101883-02	PLATE, Front and rear hall light mounting	2	
		5100201-R001	BULB, Front and rear hall light (GE-67)	2	

REPAIR PARTS LIST

39 110/12 Volt
Electrical
System

GROUP _____
MODEL 2900R _____

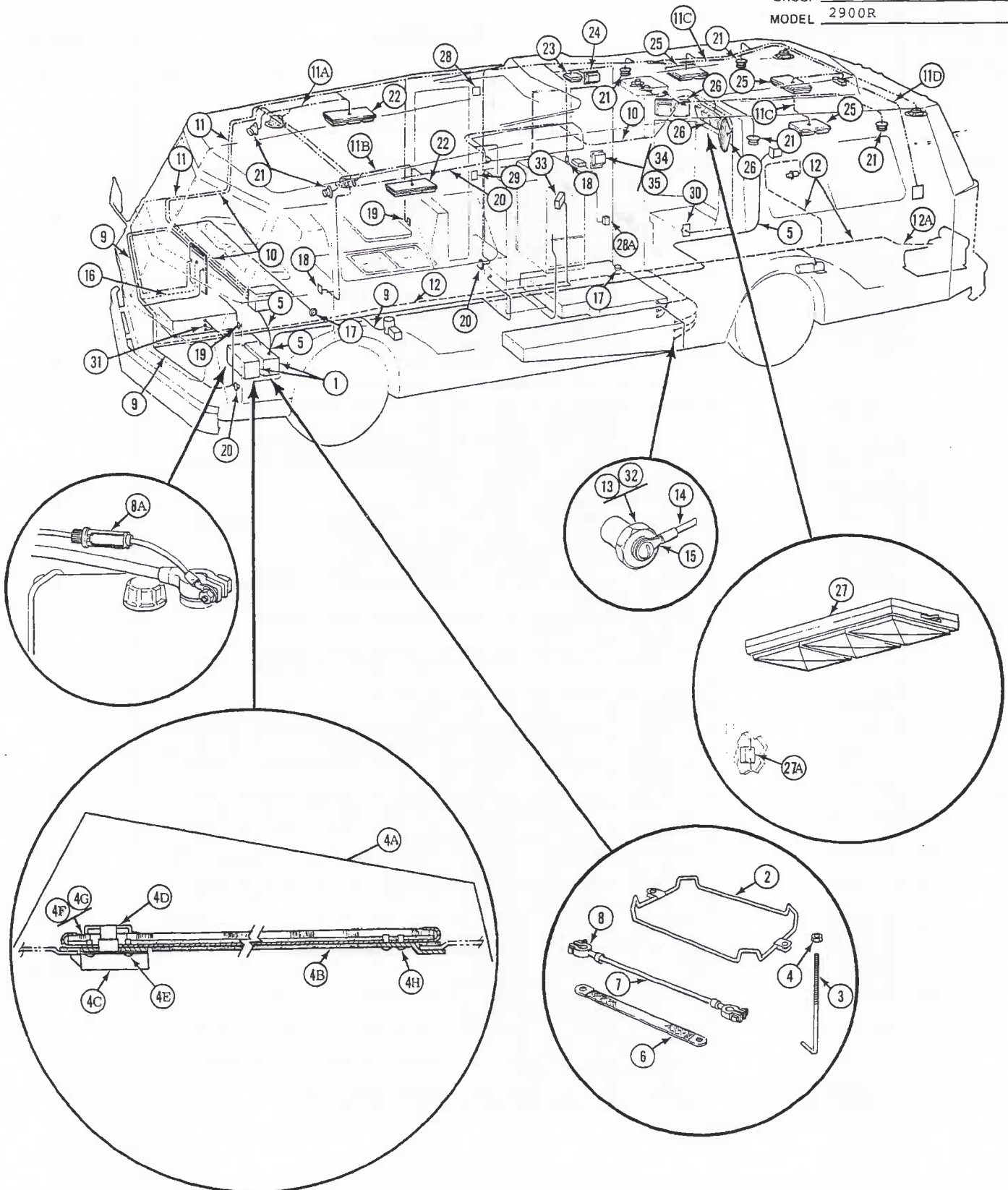


Figure 39-4. Electrical system - 12 volt domestic

REPAIR PARTS LIST

GROUP 39
MODEL 2900R

FIG NO.	ITEM NO.	PART NUMBER	ITEM DESCRIPTION	QTY PER UNIT
39-4	18	5101823	SWITCH, Front and rear hall light (CS-26-099-100) (Sup 5100377-R002 and M15137)	2
		M14029	SCREW, Switch attaching	4
		5101883-01	PLATE, Light switch mounting	2
	19	5100581	SWITCH, Drivers and passenger door light (CH 9251)	2
	20	M15138	LIGHT, Drivers and passenger door (w/ground lead) (D1-12-022) (Sup 5101050)	2
		5100201-R001	BULB, Drivers and passenger door light (GE-67)	2
	21	5100378	LIGHT, Ceiling mounted spot swivel (WE-2060S G)	6
		5100378-R001	BULB, Ceiling mounted spot swivel light (GE 1383)	6
		5101437	HOUSING, Ceiling mounted spot swivel light	6
			NOTE: After coach 00351, two spot swivel lights in bedroom were deleted; 4 required instead of 6.	
	22	5100387	LIGHT, Dinette and kitchen (PD 763)	2
		5100387-R001	LENS, Dinette and kitchen light (PD-100516)	6
		5100387-R002	BULB, Dinette and kitchen light (GE 1141)	6
	23	5100379	LIGHT, Clothes closet (WD-4290SG)	1
		5100387-R002	BULB, Clothes closet light (GE 1141)	1
	24	5101171	LIGHT, Rear hall (NE-301W) (coach 00001 to 00350)	1
		5100387-R002	BULB, Hall light (GE-1141) (coach 00001 to 00350)	1
	25	5100386	LIGHT, Bedroom (PD-762)	3
		5100387-R001	LENS, Bedroom light (PD-100516)	6
		5100387-R002	BULB, Bedroom light (GE 1141)	6
			NOTE: After coach 00351 an additional light was installed; 4 required instead of 3.	
	39-4	26	5101172	LIGHT, Bath (WE-8760) (coach 00001 to 00240)
		5101172-R001	LENS, Bath light (WE-87626) (coach 00002 to 00240)	3
		5100387-R002	BULB, Bath light (GE-1141) (coach 00001 to 00240)	6
27		5100387	LIGHT, Bath (PD-763) (coach 00241 & up)	1
		5100387-R001	LENS, Bath light (PD-100516) (coach 00241 & up)	3
		5100387-R002	BULB, Bath light (GE 1141) (coach 00241 & up)	3
27A		5100251	SWITCH, Bath light remote (CS-P26-000-100) (coach 00680 & up)	1
27A		5101883-01	PLATE, Light switch (coach 00680 & up)	1
27A		M14012	SCREW, Light switch (coach 00680 & up)	2
28		5101751	LIGHT, Passenger door porch (DP-926) (coach 00300 & up)	1
		5101751-R001	BULB, Passenger door porch light (GE-105)	1
		5101751-R002	LENS, Passenger door porch light (DP-926-103)	1
		M25050	RIVET, Passenger door porch light	2
28A		5101751	LIGHT, Shower stall (DP-926) (coach 00673 & up)	1
28A		5101823	SWITCH, Shower light (coach 00673 & up)	1
28A		5101883-01	PLATE, Light switch (coach 00673 & up)	1
28A		M25050	RIVET, Light switch plate (coach 00673 & up)	2
29		5101823	SWITCH, Passenger door porch light (coach 00300 & up)	1
	5101883-01	PLATE, Passenger door light switch (coach 00300 & up)	1	
	M14029	SCREW, Porch light plate (coach 00300 & up)	2	
39-4	30	5100499	RECEPTACLE, Bath and bedroom 12V (PRA-5000) (coach 00001 to 00250)	2
	30	5101777	RECEPTACLE, Bedroom 12V TV (see Group 43) (BM-12TV-JWG)	1
			NOTE: See Group 3 for bath and hall vent fans.	
	31	5101438	HARNESS, Front water tank (coach 00001 to 00645) (see Fig. 39-13.1)	1
	31	5108502	HARNESS, Front water tank (coach 00646 & up) (see Fig. 39-13.1)	1
	32	5100480	NUT & SCREW, Fresh water tank harness	6
	33	5100473-R035	THERMOSTAT, Furnace wall (COL-4023-322)	1
			NOTE: See Group 36 for component parts of furnace.	
	34	5106744-01	BULB, Vanity cabinet light (12V-GE1143KF) (coach 00464 to 01019)	6
	34	M15316	BULB, Vanity Cabinet Light (GE-1141) (Coach 01020 & up)	6
35	5106744-02	SOCKET, Light bulb vanity cabinet (coach 00646 to 01019)	6	
35	5108980	SOCKET, Light bulb vanity cabinet (coach 01020 & up)	6	

REPAIR PARTS LIST

39 110/12 Volt
Electrical
System

GROUP 2900 R
MODEL 2900 R

SD-520

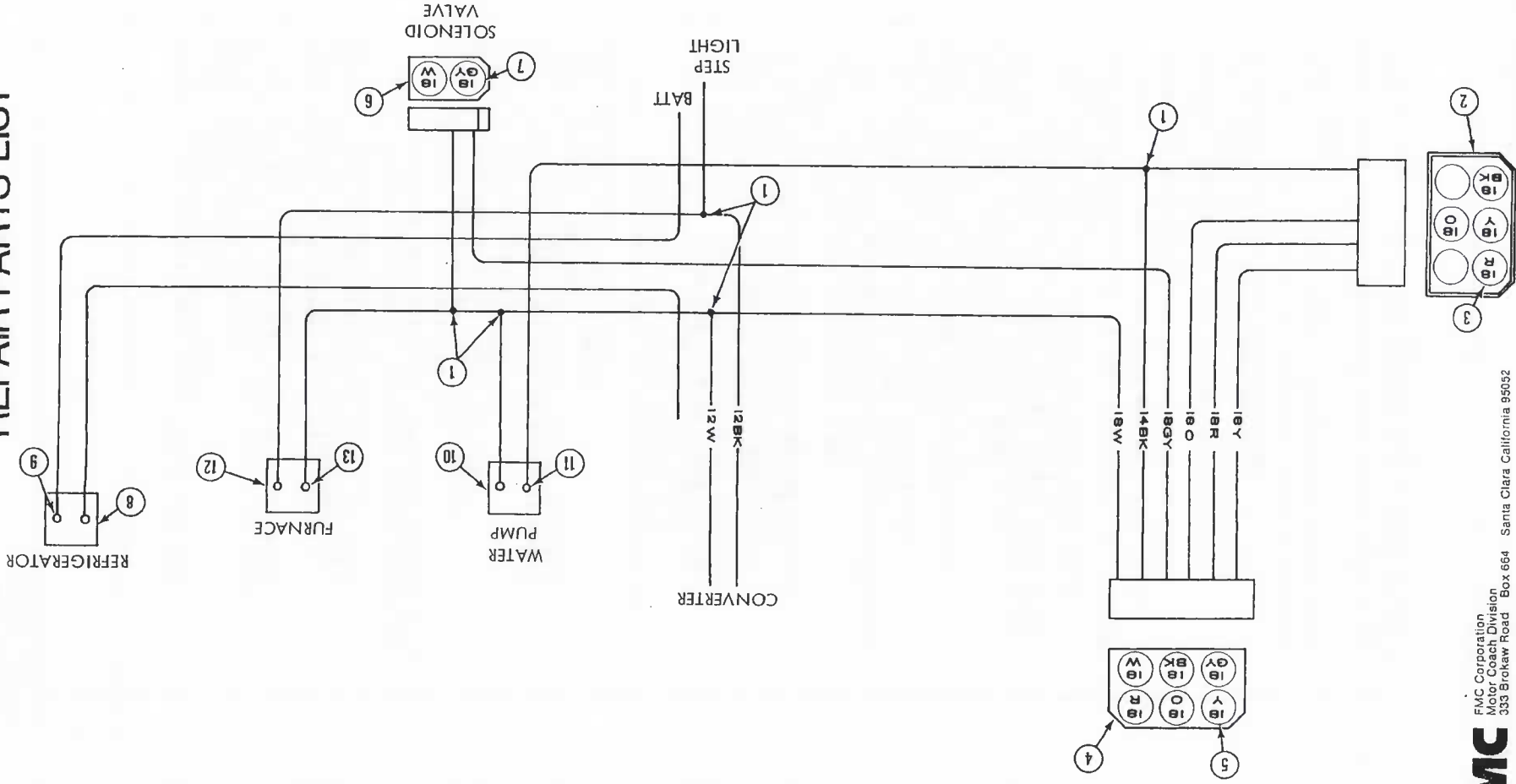


Figure 39-5. Harness, Converter to Kitchen and Furnace

REPAIR PARTS LIST

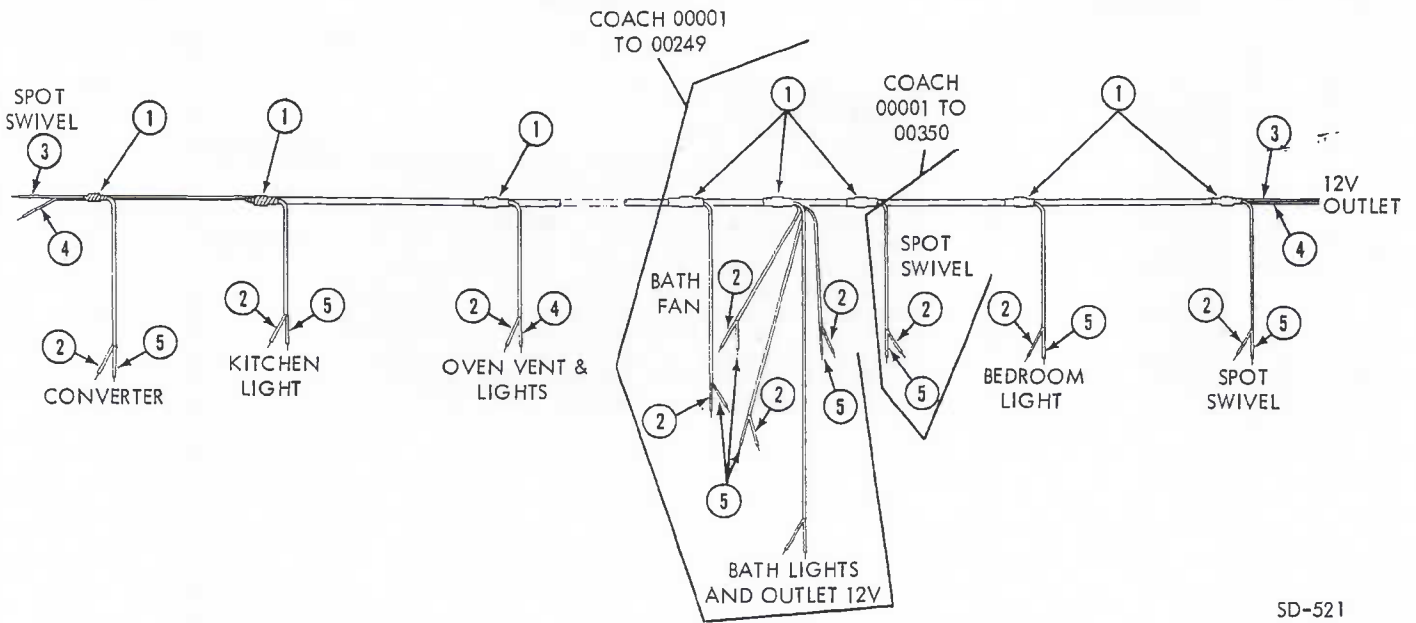
GROUP 39
MODEL 2900R

FIG NO.	ITEM NO.	RVD PART NUMBER	ITEM DESCRIPTION	QTY PER UNIT
39-5	1	5100751	HARNESS (component parts)	REF
		5100529	SPLICE, Harness	5
		M15039	TUBING, Shrink 1/4"	1 ft
		5101140	CONNECTOR, To aft domestic panel harness (MO -R2-03-09-1063)	1
		5100489	TERMINAL, Connector male (MO-02-09-2103)	4
39-5	2	5101141	CONNECTOR, Front water tank harness (MO-P1-03-09-2062)	1
		5100488	TERMINAL, Connector female (MO-02-09-1103)	6
		5100566	CONNECTOR, Front water tank solenoid (MO R1-03-09-1022)	1
		5100488	TERMINAL, Connector female (MO-02-09-1103)	2
		5101124	CONNECTOR, Harness to refrigerator (DEL 93781)	1
		5101129	TERMINAL, Harness to refrigerator (DEL 92574)	2
		5101124	CONNECTOR, Harness to water pump (DEL 93781)	1
		5101129	TERMINAL, Harness to water pump (DEL 92574)	2
		5101124	CONNECTOR, Harness to furnace (DEL 93781)	1
		5101128	TERMINAL, Harness to furnace (DEL 92573)	2

REPAIR PARTS LIST

39 110/12 Volt
Electrical
System

GROUP _____
MODEL 2900 R _____



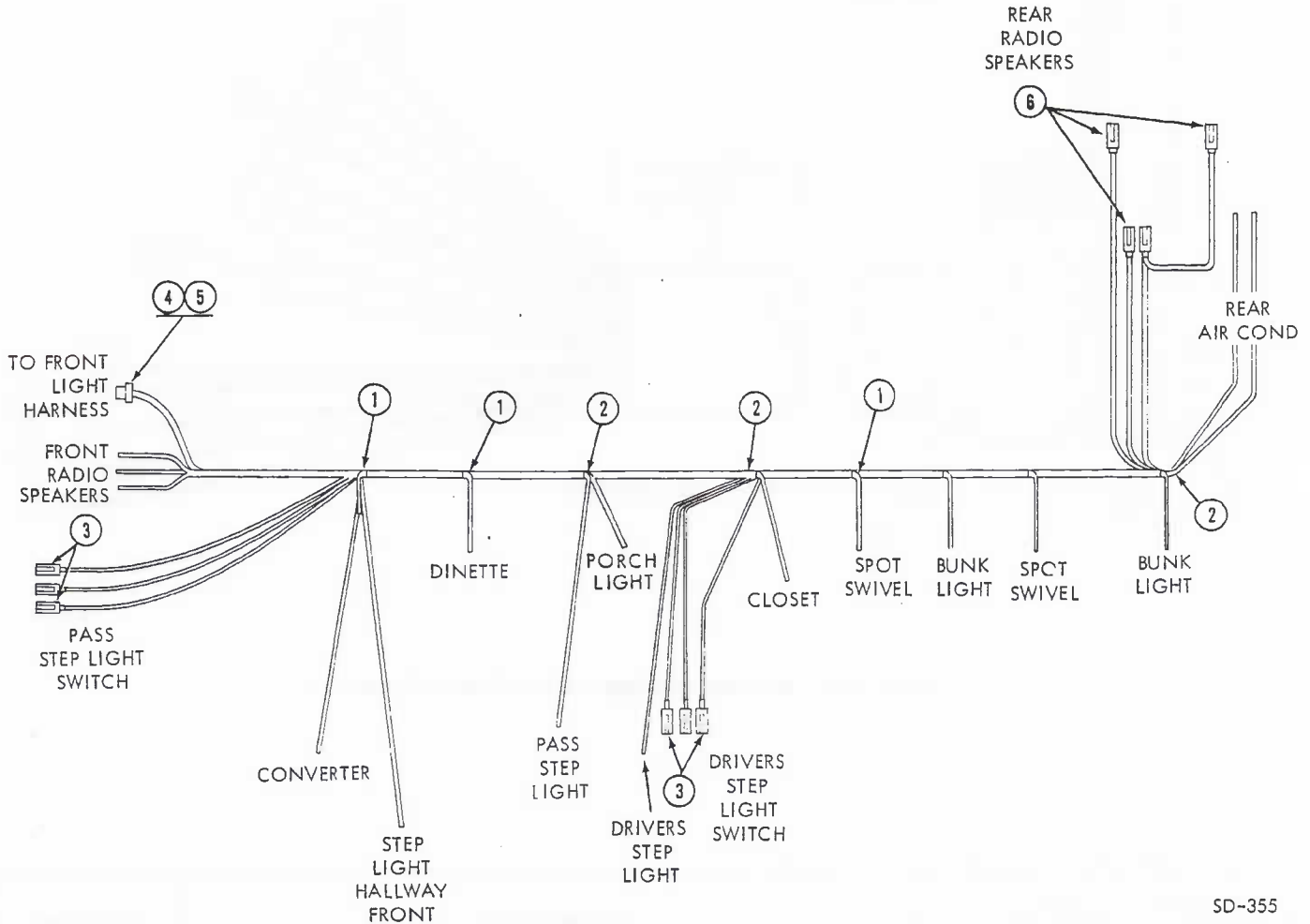
SD-521

Figure 39-6. Harness, Converter to Upper Lights and Fixtures
(Left Side of Coach)

FIG NO.	ITEM NO.	RVD PART NUMBER	ITEM DESCRIPTION	QTY PER UNIT
39-6		5100653	HARNESS (component parts)	REF
	1	5100530	SPLICE, Harness (coach 00001 to 00249)	16
	2	M16050	WIRE, 12 gauge white	50 ft
	3	M16010	WIRE, 18 gauge white	20 ft
	4	M16008	WIRE, 18 gauge black	20 ft
	5	M16048	WIRE, 12 gauge black	50 ft

REPAIR PARTS LIST

39 110 and 12 Volt
 GROUP Electrical System
 MODEL 2900 R



SD-355

Figure 39-7. Harness, Converter to Upper Lights and Fixtures
 (Right Side of Coach) (Coach 00001 to 00350)

FIG NO.	ITEM NO.	RVD PART NUMBER	ITEM DESCRIPTION	QTY PER UNIT
39-7	1	5100595	HARNES (component parts) (Coach 00001 to 00350)	REF
	2	M15039	TUBING, Harness to frame (1/4 x 3)	12
	3	5100578	SPLICE, Harness (optional)	16
	4	M15031	TERMINAL, Step lights female	6
	5	5100565	CONNECTOR, Female to front lights harness (MO 1545P)	1
39-7	6	5100489	TERMINAL, Connector male (MO 02-09-2103)	2
		M15051	TERMINAL, Rear radio speakers	4

REPAIR PARTS LIST

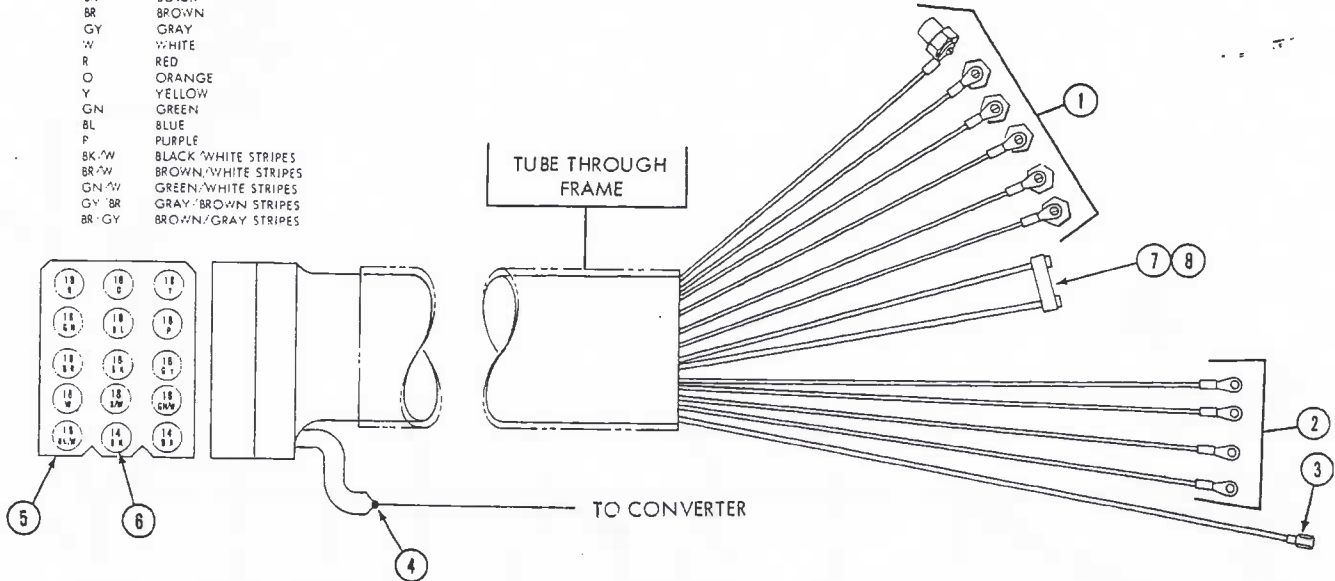
39 110 and 12 Volt
 GROUP Electrical System
 MODEL 2900 R

NOTE: WIRE SIZES AND COLORS SHOWN
 ON LEGEND BELOW:

EXAMPLE:

18-----WIRE SIZE: AWG 18 GAGE, ETC.
 BK-----COLOR: AS SHOWN ON CHART BELOW

BK	BLACK
BR	BROWN
GY	GRAY
W	WHITE
R	RED
O	ORANGE
Y	YELLOW
GN	GREEN
BL	BLUE
P	PURPLE
BK-W	BLACK/WHITE STRIPES
BR-W	BROWN/WHITE STRIPES
GN-W	GREEN/WHITE STRIPES
GY-BR	GRAY/BROWN STRIPES
BR-GY	BROWN/GRAY STRIPES



SD-356

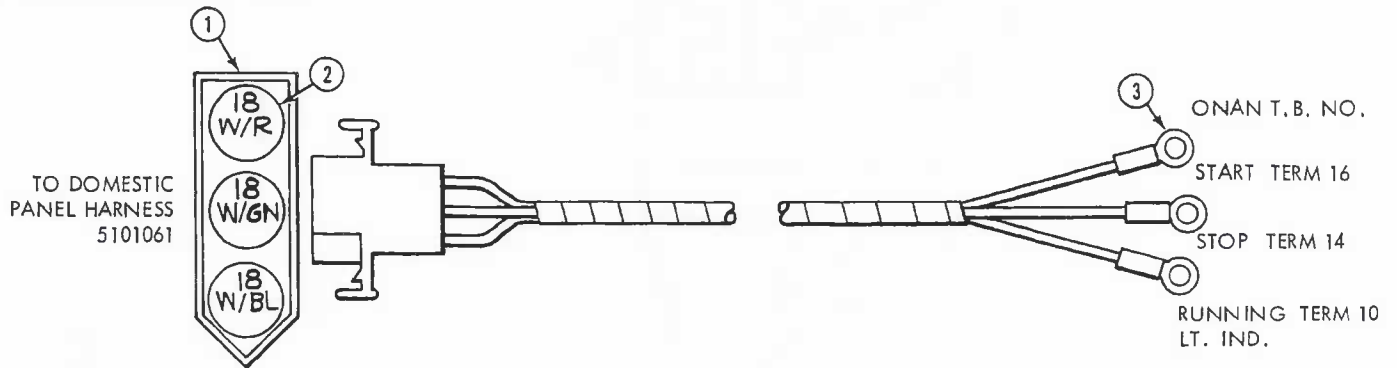
Figure 39-8. Harness, Domestic Panel to Rear of Coach

FIG NO.	ITEM NO.	RVD PART NUMBER	ITEM DESCRIPTION	QTY PER UNIT
39-8	1	5101061 5100480	HARNESS (component parts) NUT ASSY, Drainage tank sensors (WE J10-32) (SUP M-15018)	REF 6
	2	M15017	TERMINAL, APU start-stop switch	4
	3	M15031	TERMINAL, Waste destruct vacuum switch	1
	4	5100507	SPLICE, Harness wire (optional)	1
	5	5100486	CONNECTOR, to forward domestic panel harness (MO P-03-09-2151)	1
	6	5100489	TERMINAL, Connector male (MO 02-09-2103)	15
	7	M15105	CONNECTOR, to Thermasan pump	1
	39-8	8	M15106	TERMINAL, Connector, female

REPAIR PARTS LIST

39 110/12 Volt
Electrical
System

GROUP _____
MODEL 2900R _____



NOTES:

1. WIRE SIZES AND COLOR SHOWN BELOW
 EXAMPLE 18 WIRE SIZE 18 GA ETC.
 BK COLOR SHOWN BELOW
 CIRCUIT NO.

W/R WHITE WITH RED STRIPE
 W/BL WHITE WITH BLUE STRIPE
 W/GN WHITE WITH GREEN STRIPE

Figure 39-8.1. Harness, APU control

FIG NO.	ITEM NO.	PART NUMBER	ITEM DESCRIPTION	QTY PER UNIT
39-8 .1	1	5107846	HARNESS, APU control	
	2	5100484	CONNECTOR, To interconnect harness (M001396P)	1
	3	5100489	PIN, Connector (M0-02-09-2103)	3
		M15016	TERMINAL, APU connection (H0-R1890S)	3

REPAIR PARTS LIST

39 110/12 Volt
Electrical
System

GROUP 2900R
MODEL 2900R

SD-357

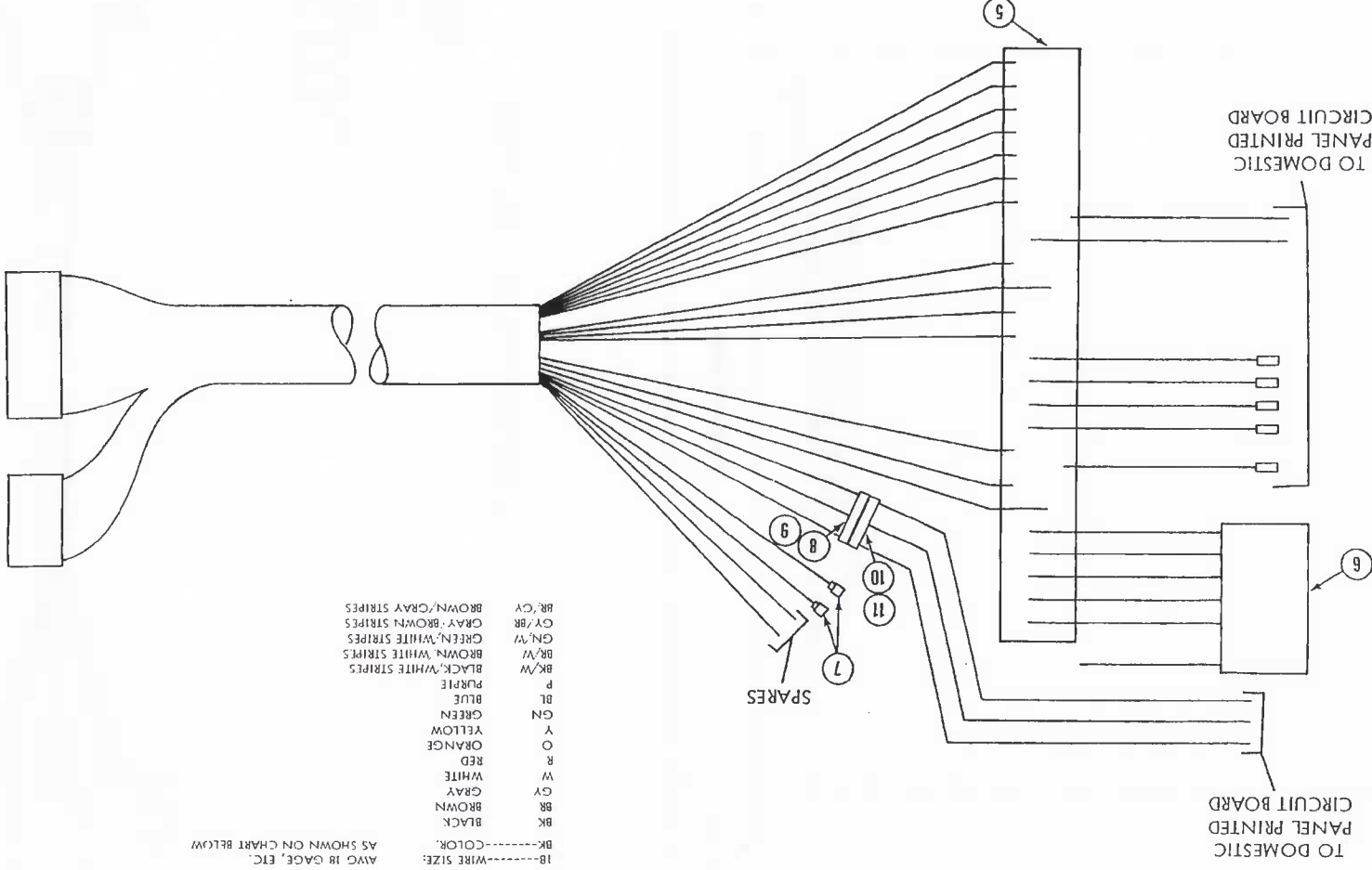
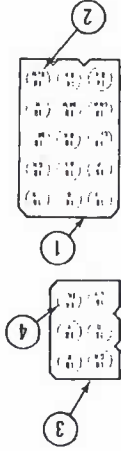


Figure 39-9. Harness, Domestic Panel (COACH 00001 to 00645)

NOTE: WIRE SIZES AND COLORS SHOWN
ON LEGEND BELOW:
EXAMPLE:
18-----WIRE SIZE:
BK-----COLOR.
AS SHOWN ON CHART BELOW

BK	BLACK
BR	BROWN
GY	GRAY
W	WHITE
R	RED
O	ORANGE
Y	YELLOW
GN	GREEN
BL	BLUE
P	PURPLE
BK/W	BLACK/WHITE STRIPES
BR/W	BROWN/WHITE STRIPES
GN/W	GREEN/WHITE STRIPES
GY/BR	GRAY/BROWN STRIPES
BR/CY	BROWN/CRAY STRIPES

REPAIR PARTS LIST

39 110/12 Volt
Electrical
System
GROUP _____
MODEL 2900R

FIG NO.	ITEM NO.	RVD PART NUMBER	ITEM DESCRIPTION	QTY PER UNIT
39-9	1	5101164 5100487	HARNES (component parts) CONNECTOR, To rear domestic panel harness (MO R03-09-1151)	REF 1
	2	5100488	TERMINAL, Harness connector female (MO 02-09-1103)	15
	3	5101140	CONNECTOR, To kitchen-furnace harness (MO R2-03-09-1063)	1
	4	5100488	TERMINAL, Harness connector female (MO 02-09-1103)	6
	5	5101144	CONNECTOR, Harness card edge	1
	6	5100342	SWITCH, Vehicle leveling	1
	7	M15031	TERMINAL, APU start-stop switch (00001 to 00026)	2
	8	5100484	CONNECTOR, Domestic panel PC board plug (WM 1396P)	1
	9	5100488	TERMINAL, Female (WM 1189)	3
	10	5100485	CONNECTOR, Domestic panel PC board recept (WM 1396R)	1
	11	5100489	TERMINAL, Male (WM 1190)	3

REPAIR PARTS LIST

39 110/12 Volt
Electrical
System

GROUP

MODEL 2900R

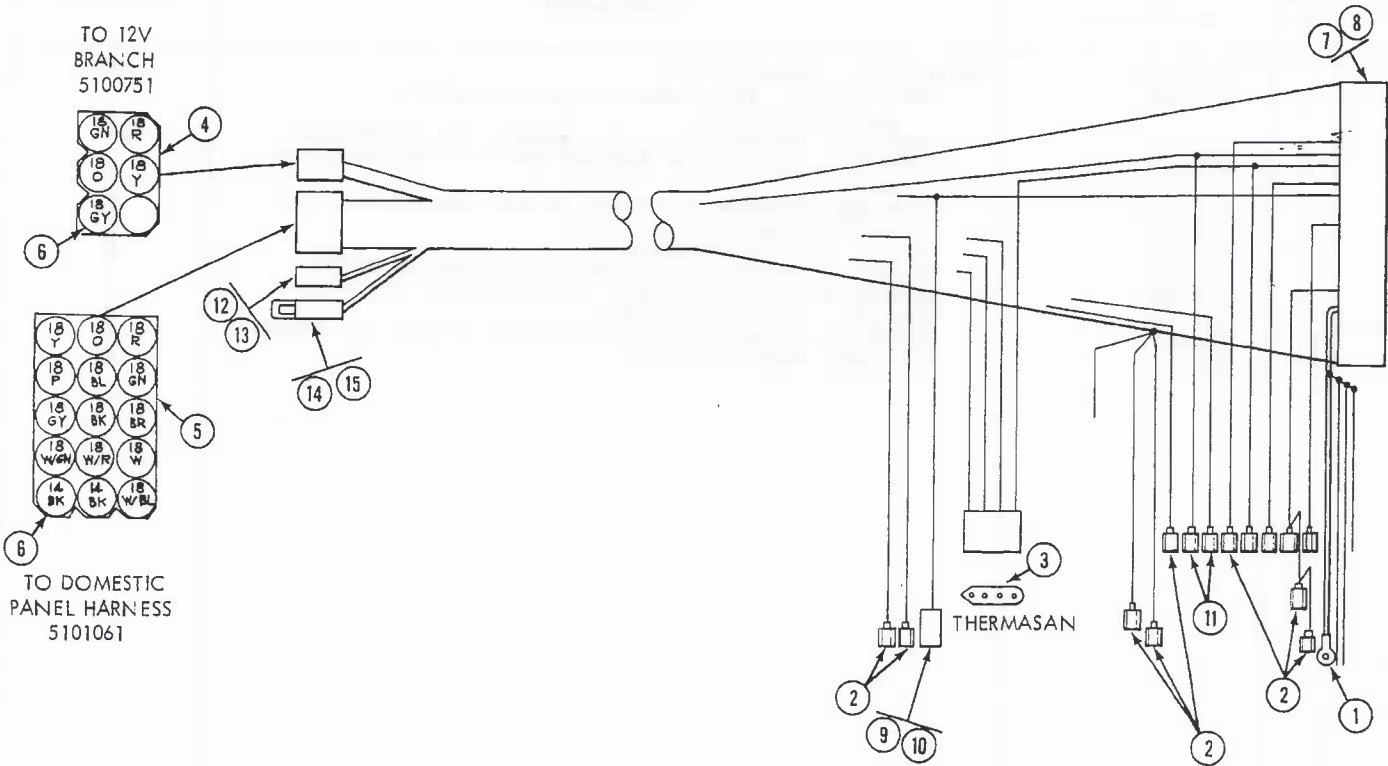


Figure 39-9.1. Harness, domestic panel
(Coaches 00646 and up)

FIG NO.	ITEM NO.	PART NUMBER	ITEM DESCRIPTION	QTY PER UNIT
39-9 .1	1	5107617	HARNESS (coach 00646 & up)	1
	2	M15015	TERMINAL, Panel ground (HO-R12915)	1
	3	M15031	TERMINAL, Slip on (HO-S09121)	13
	4	5101138	CONNECTOR, Thermasan (MO-R1-03-09-1042)	1
	5	5101140	CONNECTOR, To branch harness (MO-R2-03-09-1063)	1
	6	5100488	CONNECTOR, To aft harness (MO-R03-09-1151)	1
	7	5107588	TERMINAL, Female (MO-1189)	25
	8	5107589	CONNECTOR, Printed circuit board (AMP-582804-1)	1
	9	5101126	TERMINAL, Connector (AMP-583285-4)	22
	10	5101205	CONNECTOR, To branch harness (DEL-97253)	1
	11	M15305	TERMINAL, Connector (DEL-92572)	1
	12	5101129	TERMINAL, Water pump switch (HO-S091745)	2
	13	5101126	CONNECTOR, Pump switch to branch harness (DEL-92574)	1
			CONNECTOR, Pump switch to branch harness (DEL-97253)	1
		14	5101127	CONNECTOR, Pump switch to aft harness (DEL-94528)
	15	5101131	TERMINAL, Switch connector (DEL-95027)	1

FMC

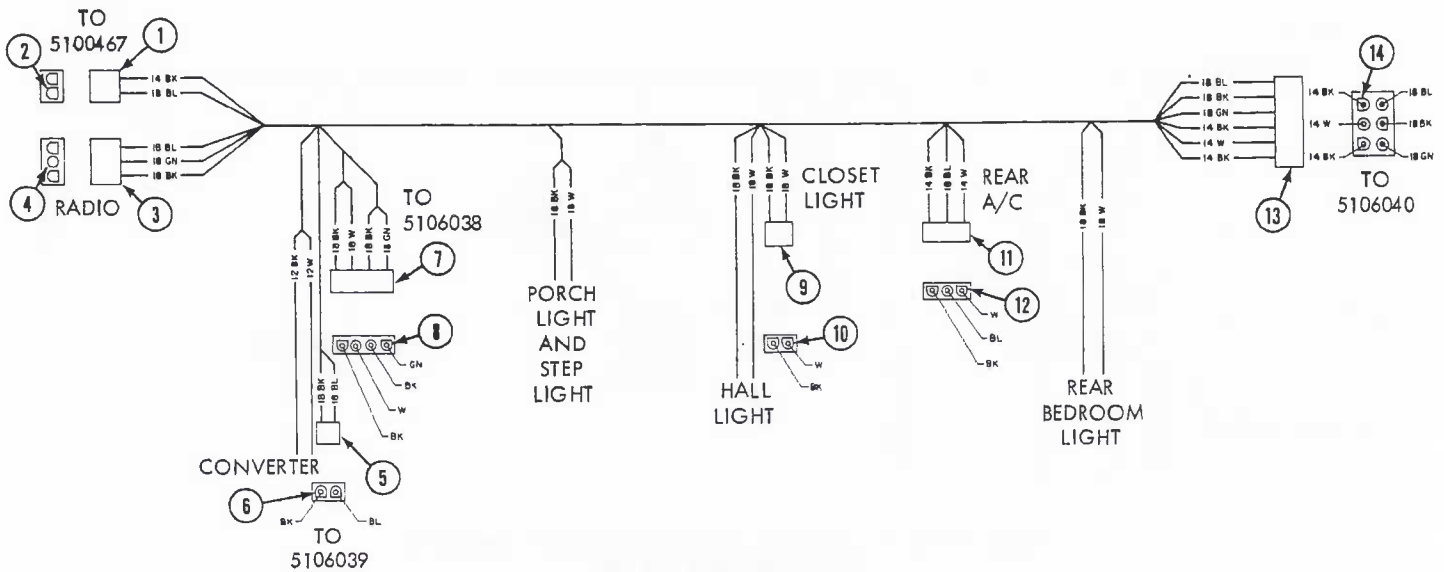
FMC Corporation
Motor Coach Division
333 Brokaw Road Box 664 Santa Clara California 95052

ISSUED

REVISED C4, 9/76

REPAIR PARTS LIST

39 110/12 Volt
Electrical
System
GROUP _____
MODEL 2900 R _____



SD-522

Figure 39-10. Harness, Converter to Upper Lights (Right side Coach 00351 to 00677)

FIG NO.	ITEM NO.	RVD PART NUMBER	ITEM DESCRIPTION	QTY PER UNIT
39-10	1	5106037 M15212	HARNES (component parts) CONNECTOR, To front headlight harness female (AMP 1-480699-0)	REF 1
	2	M15225	PIN, Connector contact (AMP 350547-1)	2
	3	M15214	CONNECTOR, To coach radio (AMP 1-480701-0)	1
	4	M15225	PIN, Connector contact (AMP 350547-1)	3
	5	M15211	PLUG, To left front speaker harness (AMP 1-480698-0)	1
	6	M15226	PIN, Plug contact (AMP 350550-1)	2
	7	M15215	PLUG, To right front speaker and spot swivel light (AMP 1-480702-0)	1
	8	M15226	PIN, Plug contact (AMP 350550-1)	4
	9	M15211	PLUG, To closet light (AMP 1-480698-0)	1
	10	M15226	PIN, Plug contact (AMP 350550-1)	2
	11	M15213	PLUG, Rear auto air cond evaporator (AMP 1-480700-0)	1
	12	M15226	PIN, Plug contact (AMP 350550-1)	3
	13	M15217	PLUG, To bedroom lights harness (AMP 1-480704-0)	1
	14	M15226	PIN, Plug contact (AMP 350550-1)	6

REPAIR PARTS LIST

39 110/12 Volt
Electrical
System
GROUP _____
MODEL 2900R _____

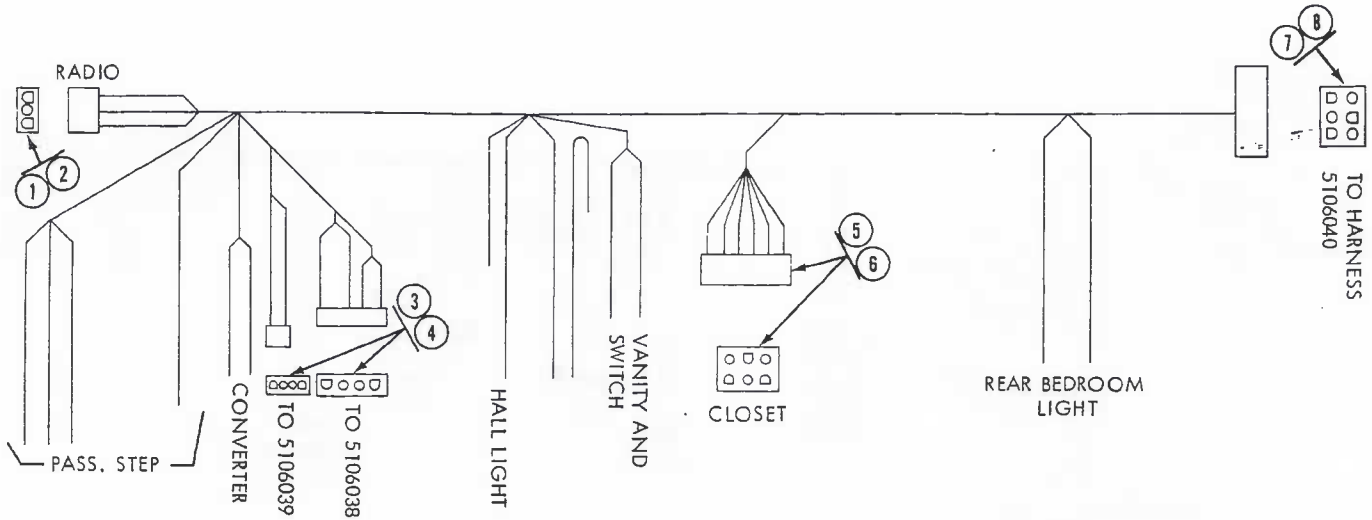
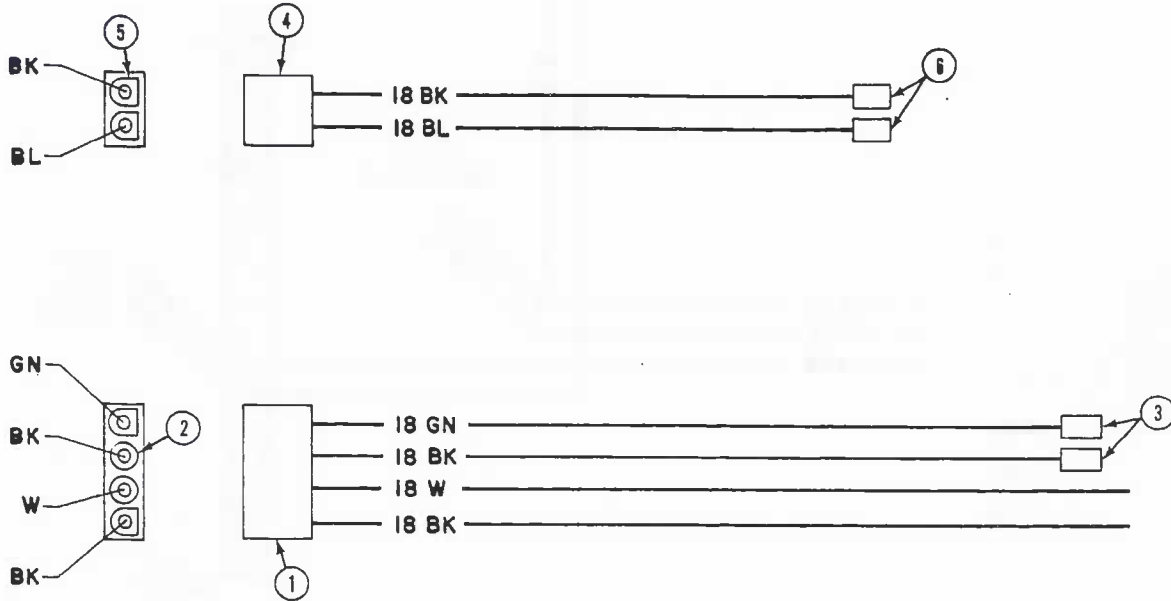


Figure 39-10.1. Harness, converter to lights - right side
(Coaches 00678 and up)

FIG NO.	ITEM NO.	PART NUMBER	ITEM DESCRIPTION	QTY PER UNIT
39-10.1		5107223	HARNESS, Converter to lights (right side) (coach 00678 & up)	1
	1	M15213	PLUG, To coach radio (AMP-3P-1-480700-0)	1
	2	M15225	PIN, Plug contact (AMP-350547-1)	3
	3	M15216	CONNECTOR, Harness to harness (AMP-4S-1-480703-0)	2
	4	M15226	SOCKET, Contact (AMP-350550-1)	8
	5	M15218	CONNECTOR, Harness to closet wiring (AMP-6-S-1-480705-0)	1
	6	M15226	SOCKET, Contact (AMP-350550-1)	6
	7	M15218	CONNECTOR, Harness to harness (AMP-6-S-1-480705-0)	1
	8	M15226	SOCKET, Contact (AMP-350550-1)	6

REPAIR PARTS LIST

39 110/12 Volt
Electrical
System
GROUP _____
MODEL 2900 R _____



SD-523

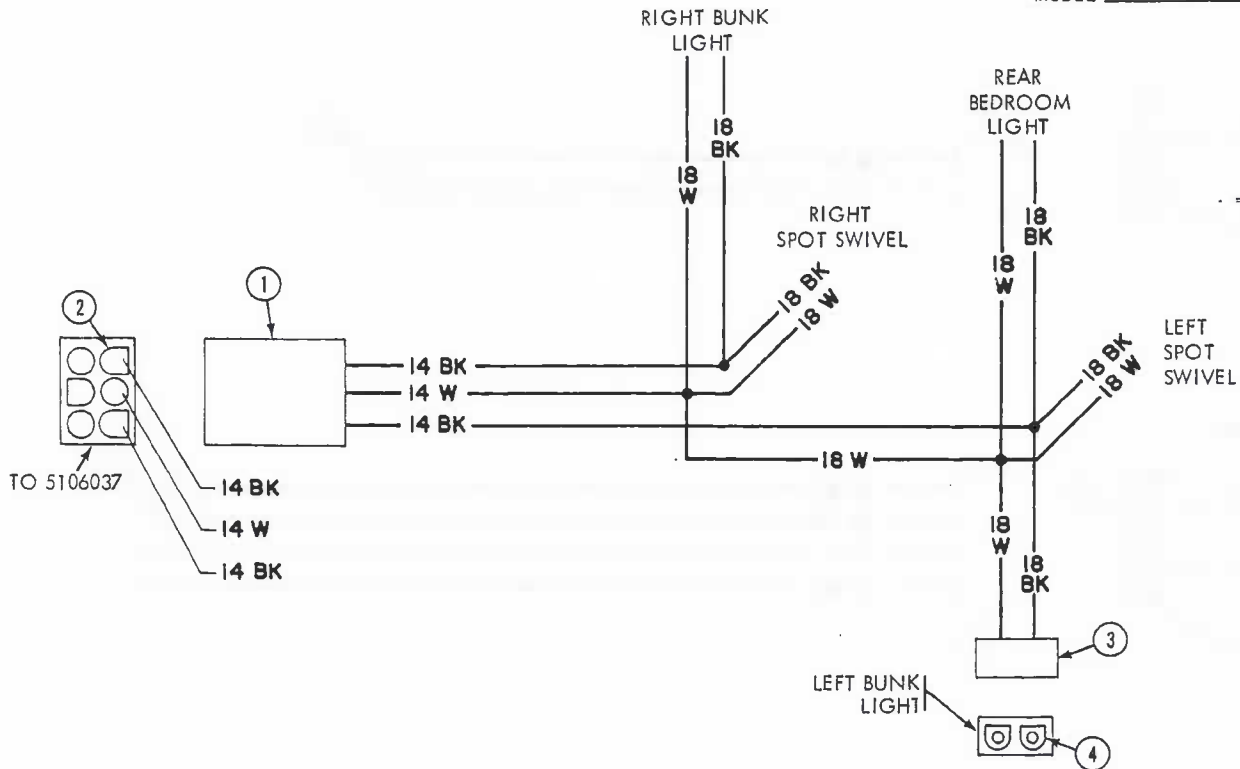
Figure 39-11. Left and Right Cabinet Harness

FIG NO.	ITEM NO.	RVD PART NUMBER	ITEM DESCRIPTION	QTY PER UNIT
39-11	1	5106038 M15216	HARNESS (component parts) CONNECTOR, To upper lights harness right side (AMP 1-480703-0)	REF 1
	2	M15225	PIN, Connector contact (AMP 350547-1)	4
	3	M15051 5106039	TERMINAL, At right front speaker (H SO8152-3/16)	2
	4	M15212	HARNESS (component parts) CONNECTOR, To upper lights harness right side (AMP 1-480699-0)	REF 1
	5	M15225	PIN, Connector contact (AMP 350547-1)	2
	6	M15051	TERMINAL, At left front speaker (HO SO8152-3/16)	2

REPAIR PARTS LIST

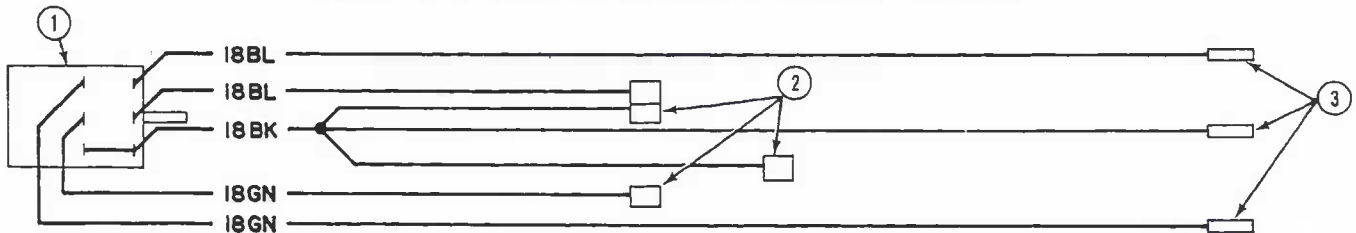
39 110/12 Volt
Electrical
System

GROUP _____
MODEL 2900 R _____



SD-524

Figure 39-12. Harness, Converter Harness to Bedroom Lights



SD-525

Figure 39-13. Harness, Rear Speaker and Volume Control

FIG NO.	ITEM NO.	RVD PART NUMBER	ITEM DESCRIPTION	QTY PER UNIT
39-12	1	5106040 M15218	HARNESS (component parts) CONNECTOR, To upper lights harness right side (AMP 1-480705-0)	REF 1
	2	M15225	PIN, Connector contact (AMP 350547-1)	3
	3	M15211	PLUG, To left bedroom light (AMP 1-480698-0)	1
	4	M15226	SOCKET, Plug contact (AMP 350550-1)	2
39-13	1	5106041 S101803	HARNESS (component parts) CONTROL, Rear speaker volume	REF 1
	2	M15051	TERMINAL, At rear speakers (HO S08152-3/16)	4
	3	M15225	PIN, Connector (to bedroom light harness)	3

REPAIR PARTS LIST

39 110/12 Volt
Electrical
System
GROUP _____
MODEL 2900R _____

TO 5100751

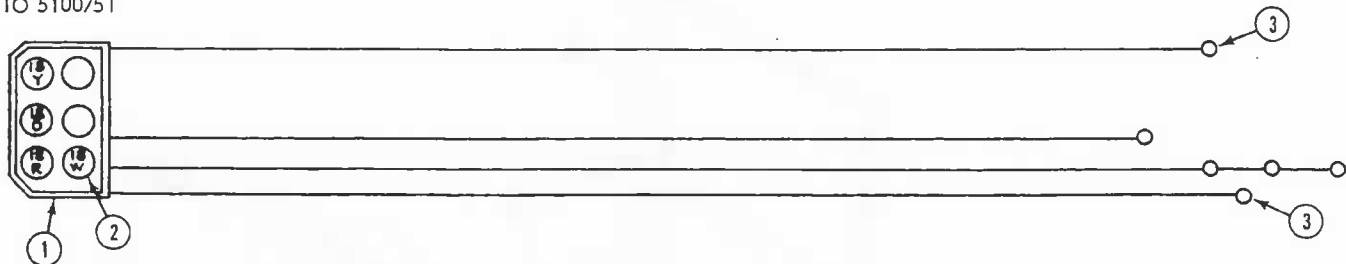


Figure 39-13.1. Harness, fresh water tank

FIG NO.	ITEM NO.	PART NUMBER	ITEM DESCRIPTION	QTY PER UNIT
39-13.1		5101438	HARNESS, Fresh water tank (37" long) (coach 00001 to 00645)	1
		5108502	HARNESS, Fresh water tank (97" long) (coach 00646 & up)	1
	1	5101141	CONNECTOR, Harness to harness (MO-P1-03-09-2062)	1
	2	5100489	TERMINAL, Male connector (MO-02-09-2103)	4
	3	5100480	WELL NUT, Tank to harness (WE-J10-32)	6

REPAIR PARTS LIST

GROUP 39
MODEL 2900R

FIG NO.	ITEM NO.	PART NUMBER	ITEM DESCRIPTION	QTY PER UNIT	
<u>DOMESTIC PANEL ASSEMBLY</u>					
39-14	1	5100342	SWITCH & CABLE, Vehicle leveling (part of 5101164 harness) (coach 00001 to 00645)	1	
	2	M12464	BOLT, Switch to panel (#6-32 x 1-1/2)	2	
	3	M17079	NUT, Switch to panel bolt (#6-32)	2	
	4	M17082	WASHER, Switch to panel (#6)	2	
	5	5100343	SHIM, Switch leveling	2	
	6	M22059	CLAMP, Cable loop	1	
	7	M17078	NUT, Loop clamp (#8-32)	1	
	8	M14262	BOLT, Loop clamp (#8-32 x 5/8)	1	
	9	5101361-02	METER, LP gas electric level (coach 00001 to 00150)	1	
	39-14	10	M14245	BOLT, Meter to panel (#6-32)	2
		11	M17079	NUT, Meter to panel bolt (#6-32)	2
		12	M17082	WASHER, Meter to panel bolt (#6)	2
		13	5100252	METER, Domestic battery	1
		14	5100249	SWITCH, Battery, LP tank, momentary on (CS-P26-000-101)	5
		15	5100251	SWITCH, Leveling, water pump, destruct-momentary on (CS-P26-000-100)	3
		16	5100248	SWITCH, APU start-momentary on (CS-P26-000-106) (coach 00001 to 00026)	1
	16	5101475	SWITCH, APU start-momentary on (CS-P27-116-000) (coach 00027 to 00799)	1	
16	5107867	SWITCH, APU start-momentary on (CAS-TIGM5M-1S-WH-FN) (coach 00800 & up)	1		
17	5108884	DECAL, APU start switch ("START-STOP") (used temporarily for APU switch without imprinting)	1		
18	5100259	METER, APU hour (HD-15000-S)	1		
39-14	19	M14243	BOLT, Hour meter to panel (#6-32 x 1/2)	2	
	20	M17063	NUT, Hour meter bolt (#6-32)	2	
	21	5100643	BULB, Indicator (GE-53)	13	
	22	M15129	BULB, APU hour meter indicator (GE-1829) (coach 00027 & up)	1	
	23	5100243	TUBE, Indicator bulb protection	14	
	24	5100262	STANDOFF, Printed circuit board	4	
	25	5100261	BOARD ASSY, Printed circuit (coach 00001 to 00645)	1	
	25	5106989-02	BOARD ASSY, Printed circuit (coach 00646 & up)	1	
	26	M14261	BOLT, Printed circuit board (#8-32 x 1/2)	4	
	27	M17078	NUT, Printed circuit bolt (#8-32)	4	
	28	M17080	WASHER, Circuit board bolt (#8)	4	
39-14	29	M14336	SCREW, Circuit board	4	
	30	M17051	WASHER, Board screw lock	4	
	31	5100234	SUPPORT, Domestic panel	1	
	32	M14263	BOLT, Panel support (#8-32 x 3/4)	4	
	33	M17050	NUT, Panel bolt (#8-32)	4	
	34	M17081	WASHER, Panel bolt (#8)	4	
	35	5100260	SLIDE, Domestic panel drawer	2	
	36	M14261	BOLT, Slide attaching (#8-32 x 1/2)	4	
	37	M17078	NUT, Slide attaching (#8-32)	4	
	38	5100235-M01	FACIA, Panel (includes film backing) (coach 00001 to 00645)	1	
39-14	39	5106780	FACIA, Panel outer (coach 00646 & up)	1	
	40	5106782	FACIA, Lower panel (coach 00646 & up)	1	
	41	5106781	FACIA, Upper panel (coach 00646 & up)	1	
	42	5106914-08	DECAL, "Waste Destruct" (coach 00646 & up)	1	
	43	5106914-04	DECAL, "Water"- "On" "Off" (coach 00646 & up)	1	
	44	5106914-06	DECAL, "Batt-Test" (coach 00646 & up)	1	
	45	5106914-05	DECAL, "Tank level" (coach 00646 & up)	1	
	46	5106914-07	DECAL, "110V Generator" (coach 00646 & up)	1	
	47	M14332	SCREW, Facia attaching (#6-32 x 1)	8	
	48	M17163	NUT, Facia jack (#6-32)	8	
	49	M14330	SCREW, Facia (#6-32 x 1/2)	2	